

EATON HEAVY DUTY TRANSMISSION

Illustrated Parts List

Ersatzteilleste

Catalogue Rechange

Catalogo Ricambi

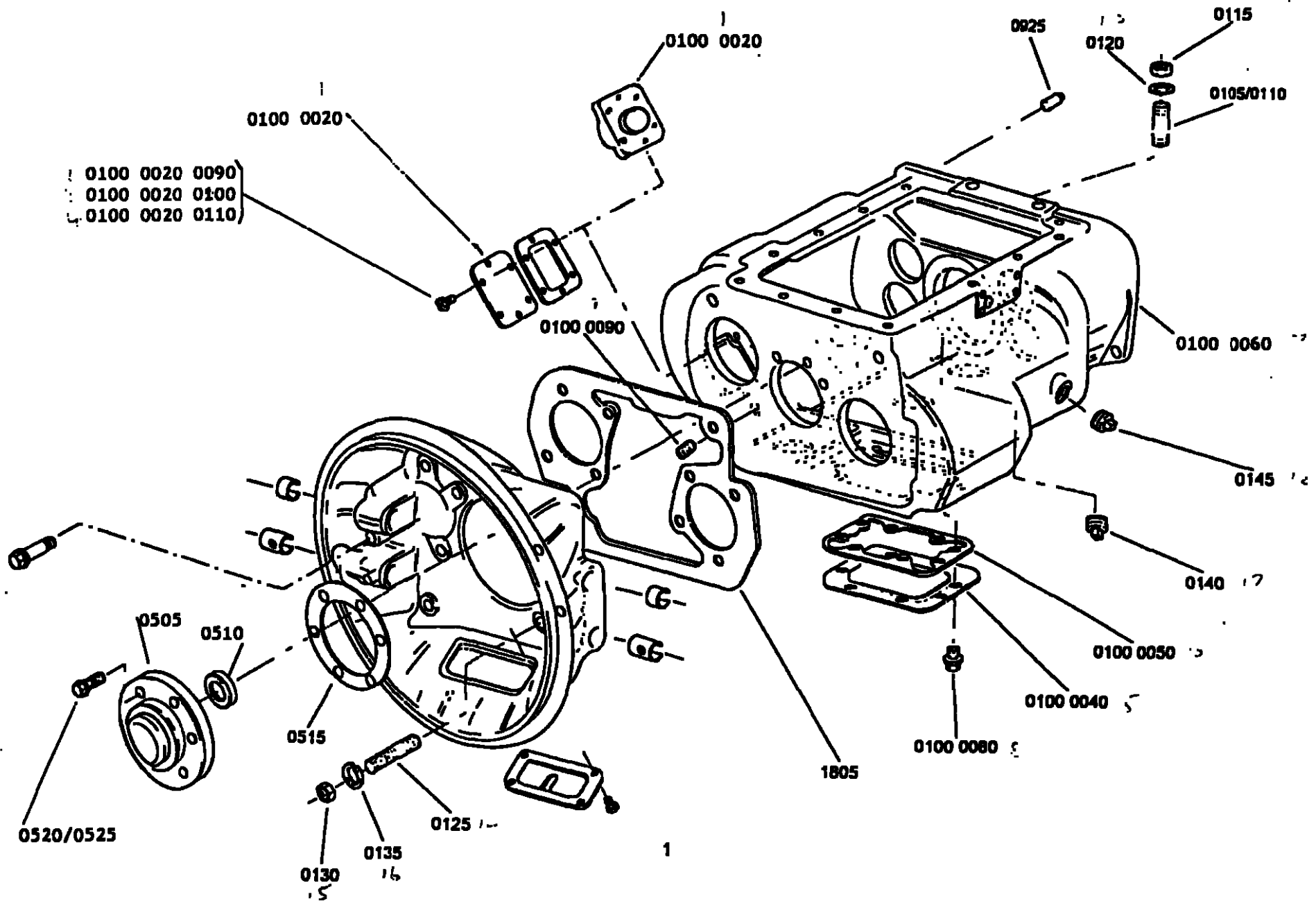
Catalogo de Piezas de Recambio

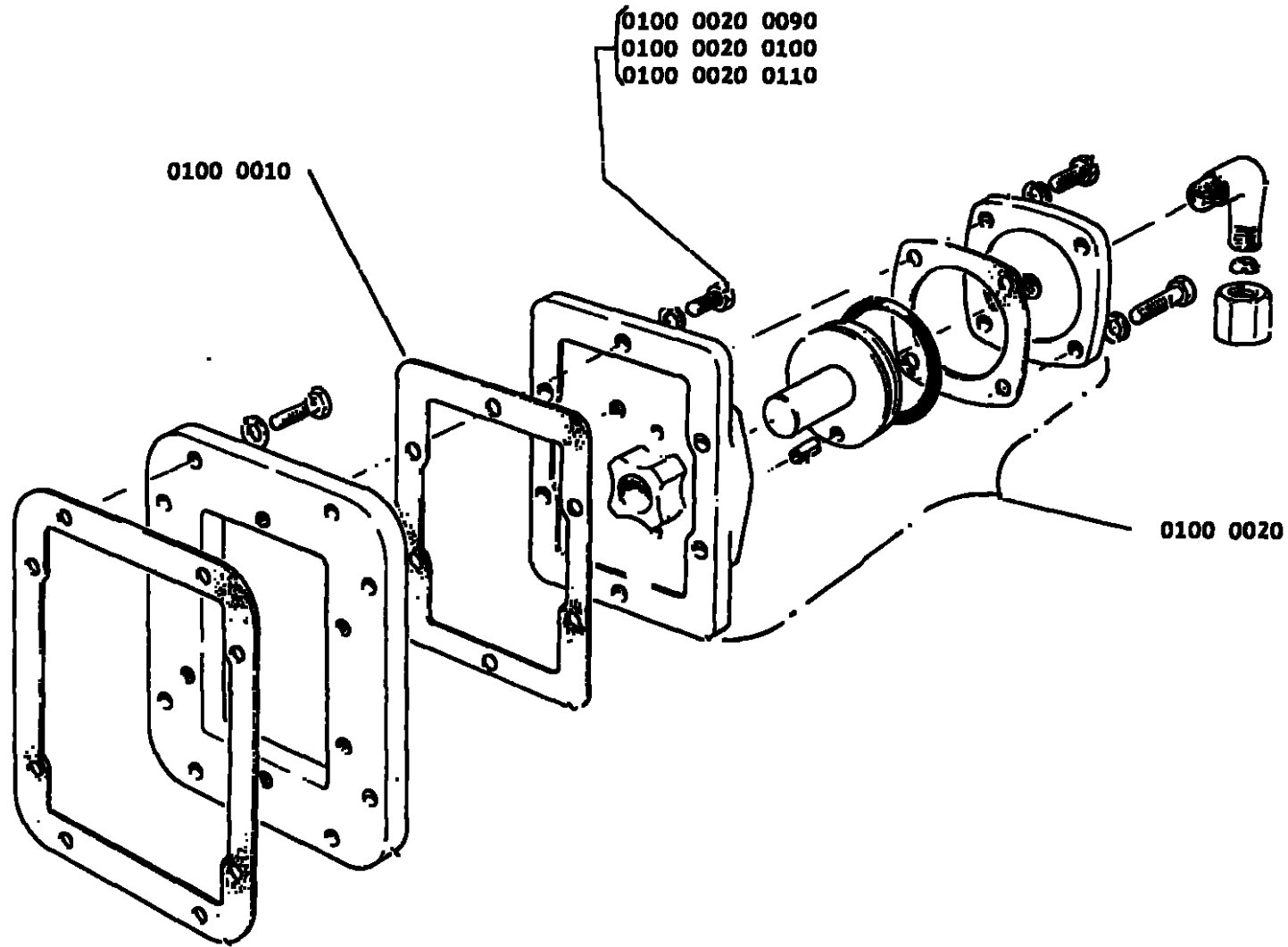
MAN
Y11248
RTO 11613

2/95

Section	English	Deutsch	Francais	Italiano	Espanol	Page
1	Main Case Assy	Gehäuse Hauptgetriebe	Ensemble Carter Principal	Scatola Principale	Conjunto Carcasa Principal	
2	Input Shaft Assy	Antriebswelle	Arbre D'Entree	Albero Entrata	Eje Primario	
3	Mainshaft Assy	Hauptwelle	Arbre Principal Assemble	Complessivo Albero	Conjunto Eje Principal	
4	Front Countershaft Assy	Vorgelegwelle	Arbre Intermediaire	Contralbero	Eje Secundo	
5	Reverse Idler Assy	Ruckwartsgang-IDLER	Marche Arriere IDLER	Retro Marcia IDLER	Marcha Atras IDLER	
6	Auxiliary Case Assy	Hinteres gehäuse	Carter AR	Scatola posteriore	Tapa trasera	
7	Auxiliary Countershaft Assy	AUX Vorgelegwelle	AUX Arbre Intermediaire	AUX Contralbero	AUX Eje Secundo	
8	Aux Drive Gear Assy/Synchro	AUX Antriebszahnrad	AUX Pignon de Commande	AUX Ingranaggio Comando	AUX Engranaje Conductor	
9	Aux range - mainshaft assy	AUX RANGE Hauptwelle	AUX Arbre Principal Assemble	AUX-RANGE Complessivo Albero principale	AUX RANGE-Conjunto Eje Principal	
10	Range Cylinder Assy	RANGE CYLINDER	RANGE CYLINDER	RANGE CYLINDER	RANGE CYLINDER	
11	Splitter cylinder assy	Splitter Zylinder	Cylindre Du Relais	Servo Cilindro	Cilindro Splitter	
12	Shift Bar Housing Assy	Schaltdeckel	Couvercle De Changement De Vitesse	Coperchio Selettore	Tapa De Varillas	
14	Air System	Ventil	Valve	Valvola	Valvula	
	# Order Stocking quantity are for 25 transmissions	# Bestellen Lagerempfehlung für 25 getriebe	# Commander Quantité de stockage pour 25 unités	# Ordinaire Quantità per cambi	# Pedir Cant stock para 25 cajas de cambio	

Main Case Assembly, Gehäuse Hauptgetriebe, Ensemble Carter Principal, Scatola Principale, Conjunto Carcasa Principal

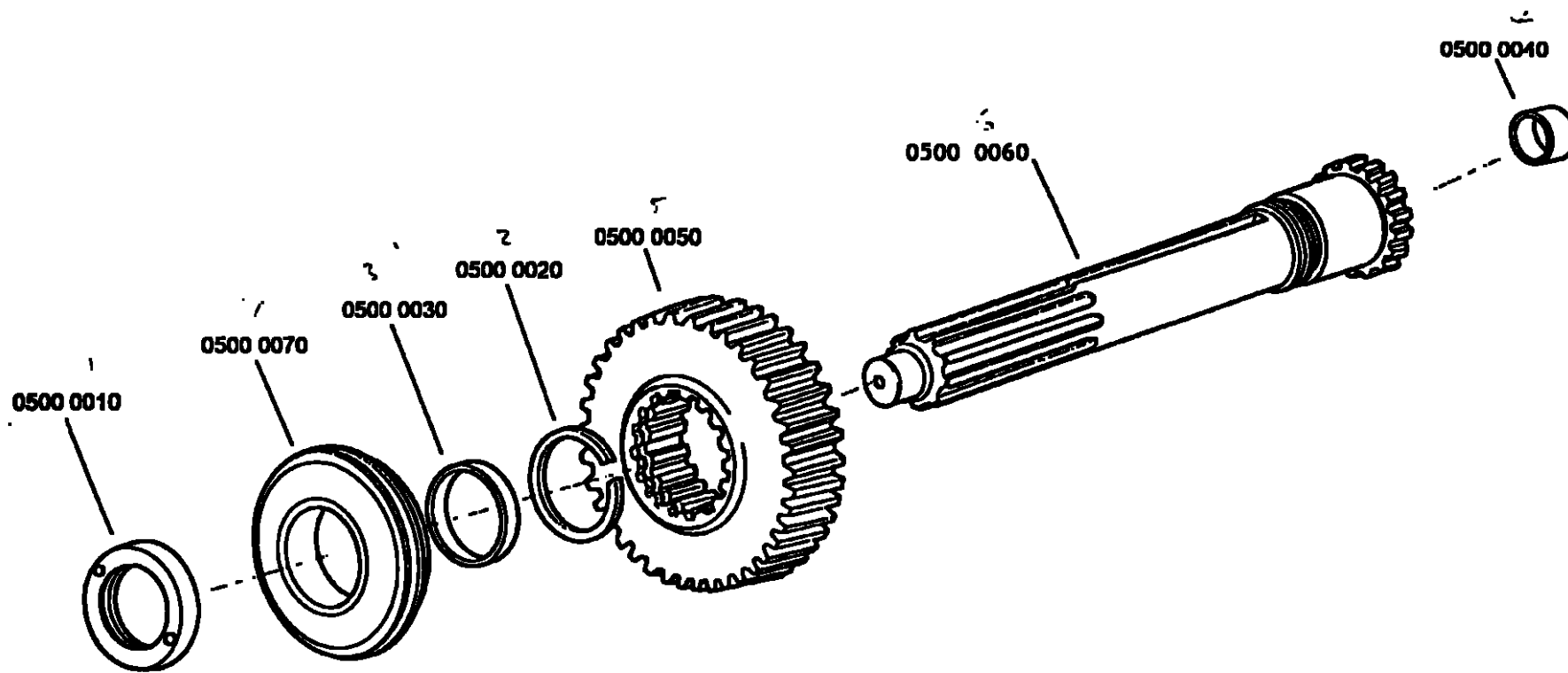




Main Case Assembly, Gehäuse Hauptgetriebe, Ensemble Carter Principal, Scatola Principale, Conjunto Carcasa Principal

Sequence No	Qty	Part No	English	Deutsch	Francais	Italiano	Espanol	Stock Qty
0100	1	U14083	Maincase Assy Basic	Gehäuse Hauptgetriebe BASIC	Ensemble Carter Principal BASIC	Scatola Principale BASIC	Conjunto Carcasa Principal BASIC	0
0100-0010	1	1884	Gasket 8 hole	Dichtmittel	Produit d'étanchéité	Significante flangia	Sellebridas	2
0100-0020	1	A-4048	C/Shaft Brake TCB8					
0100-0020-0090	4	X-8L-804	Bolt 3/8 UNC x 1.25					
0100-0020-0100	2	X-8-807	Bolt 3/8 UNC x 1.25					
0100-0020-0110	2	X2012520	Washer					
0100-0030			PTO Cover	PTO Deckel	PTO Couvercle	PTO Copercchio	PTO Tapa	0
0100-0040	1	U14082	Large PTO cover	LARGE PTO Deckel	LARGE PTO Couvercle	LARGE PTO Copercchio	LARGE PTO Tapa	0
0100-0050	1	4302810	LARGE PTO cover gasket	LARGE PTO Deckel Dichtung	LARGE PTO Couvercle Joint	LARGE PTO Copercchio Guarnizione	LARGE PTO Tapa Junta	2
0100-0080	1	18886	Maincase	Gehäuse Hauptgetriebe	Ensemble Carter Principal	Scatola Principale	Conjunto Carcasa Principal	0
0100-0070		X-8-686	Screw 3/8 UNC	Schraube	Vis	Vite	Tornillo	8
0100-0080	8	X-8-725	Screw 7/16 UNC	Schraube	Vis	Vite	Tornillo	0
0100-0090	1	X-12-802	Pipe plug 1/2	Verschlusschraube 1/2	Bouchon fileté 1/2	Tappo filettato 1/2	Tapon 1/2	0
0105	2	14554	Stud	Stehbolzen	Goujon	Prigioniero	Esparrago	1
0110	0	-	Stud - rear support	Stehbolzen REAR SUPPORT	Goujon REAR SUPPORT	Prigioniero REAR SUPPORT	Esparrago REAR SUPPORT	0
0115	2	X-1-1000	Nut-ufn 110/5/8' 18unf2b	Mutter-ufn 110/5/8' 18unf2b	Ecrou-ufn 110/5/8' 18unf2b	Dado-ufn 110/5/8' 18unf2b	Tuerca-ufn 110/5/8' 18unf2b	0
0120	2	X-3-1000	Spring washer .625 TYPE A	Federring .625 TYPE A	Rondelle Grower .625 TYPE A	Rondella Molla M10.625 TYPE A	M10 Arandela de resorts.625 TYPE A	4
0125	6	5966	Clutch hsg stud	CLUTCH HSG Stehbolzen	CLUTCH HSG Goujon	CLUTCH HSG Prigioniero	CLUTCH HSG Esparrago	1
0128	0		Stud 5/8	Stehbolzen	Goujon	Prigioniero	Esparrago	0
0130	6	X-1-1005	Nut	Mutter	Ecrou	Dado-ufn	Tuerca	0

Sequence No	Qty	Part No	English	Deutsch	Francaise	Italiano	Espanol	Stock Qty
0135	6	X-10-1000	Washer	Federring	Rondelle Grower	Rondella Molla	M10 Arandela de resorte	6
0140	1	X14188	Pipe plug 3/4	Verschlusschraube	Bouchon fileté	Tappo filettato	Tapon	0
0145	1	X2013509	Filler plug 1 1/4	Öleinfüllschraube	Bouchon de remplissage	Bocchettone riempimento	Tapon de llenado	0
	1	X-12-1206	Drain Plug					

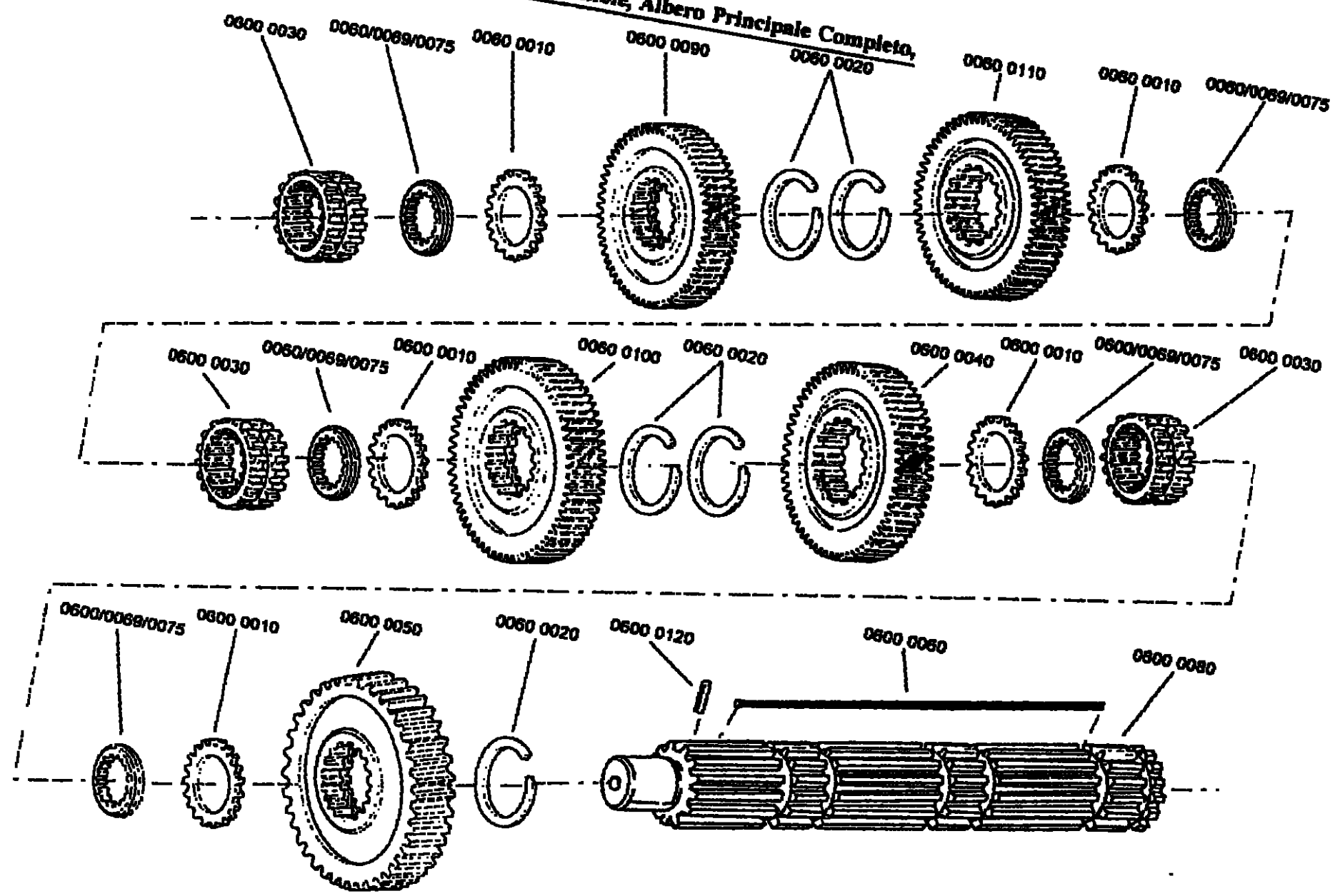


Input Shaft assy, Antriebswelle, Arbre D'entree, Albero DI Entrata, Eje Primario

Sequence No	Qty	Part No	English	Deutsch	Francese	Italiano	Espanol	Stock Qty
0500 7	1	U14371	Input shaft assembly	Abtriebswelle	Arbe d'entree	Albero entrata	Eje primario	0
0500-0010 1	1	11488	Nut	Mutter	Ecrou	Dado	Tuerca	1
0500-0020 1	1	14750	Snap ring - m/shaft gear	Sicherungsring- M/Welle Zahnrad	Circclip - M/Axe Pignon	Anello di sicurezza - M/Albero Ingranaggio	Anillo elastico - M/Eje Engranaje	1
0500-0030 3	1	16463	Brg Spacer - drive gear	BRG Distanzscheibe- Antriebszahnrad	BRG Entrotoise - Pignon de commande	BRG Anello distanziale - Ingranaggio comando	BRG Espacidor Engranaje conductor	0
0500-0040 1	1	16566	Drive shaft bushing	DRIVE Welle Busche	DRIVE Axe Bague	DRIVE Albero Boccola	DRIVE Eje Casquillo	1
0500-0050 1	1	19630	Main Drive Gear	Antriebszahnrad	MAIN Pignon de commande	MAIN Ingranaggio comando	MAIN Engranaje conductor	0
0500-0060 6	1	F96721	Input shaft	Abtriebswelle	Arbe d'entree	Albero entrata	Eje primario	1
1800-0070 7	1	81504	Ball bearing	Lager	Roulement	Cuschetto	Cofrete	1
1800-0800	1	16978	Oil Seal Wear Sleeve					
0506	1	F96529	Cover Front Bearing					
0510	1	19111	Oil Seal					
0515	1	14311	Gasket FBC					
0520	4	X-8L-604	Bolt 3/8 UNC x 1.25					
0525	2	X-8L-619	Bolt 3/8 UNC					

Arbre Principal

Arbre Principal Assemble, Albero Principale Completo,

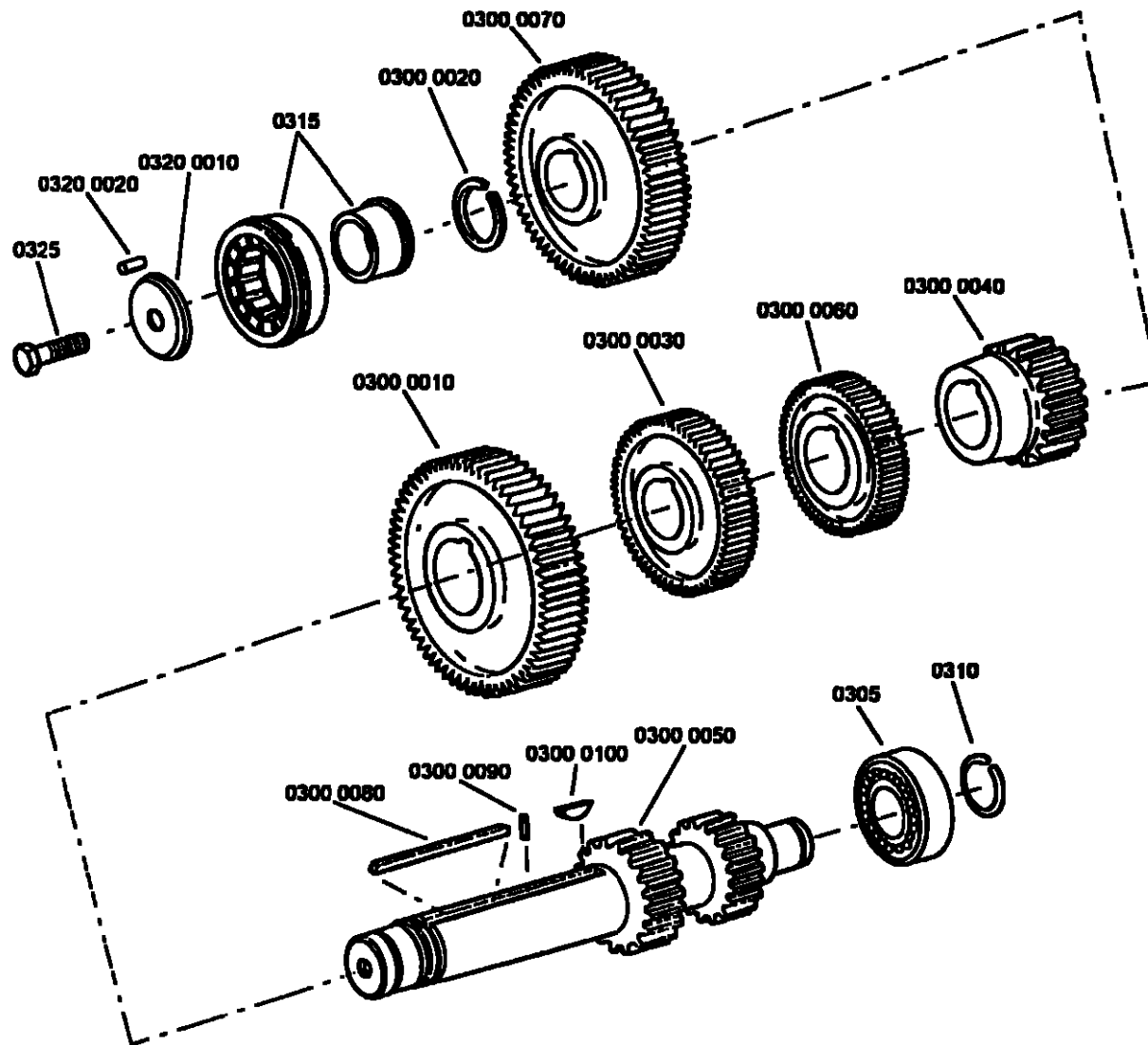


Mainshaft Assembly, Hauptwelle, Arbre Principal Assemble, Albero Principale Completo, Conjunto Eje Principal

Sequence No	Qty	Part No	English	Deutsch	Francais	Italiano	Espanol	Stock Qty
0600	1	U14818	Mainshaft assy.	Hauptwelle	Arbre principal	Complessivo Albero principale	Conjunto Eje principal	0
0600-0010	5	14749	Mainshaft splined spacer	Hauptwelle SPLINED Distanzscheibe	Arbre principal SPLINED Entretoise	Complessivo Albero principale SPLINED Anello d'itan	Conjunto Eje principal SPLINED Especador	1
0600-0020	5	14750	Snap ring - m/shaft gear	Sicherungsring - M/Welle Zahnrad	Circ clips - M/Axe Pignon	Anello di sicurezza - M/Albero Ingranaggio	Anillo elastico - M/Eje Engranaje	1
0600-0030	3	16118	Mainshaft sliding clutch	Hauptwelle Schiebemuffe	Arbre Principal Crabot	Complessivo Albero Principale Manicotto scorrevole	Conjunto Eje Principal Carreta	1
0600-0040	1	16754	Gear Low	Zahnrad LOW	Pignon LOW	Ingranaggio LOW	Engranaje LOW	1
0600-0050	1	16756	Gear Reverse	Zahnrad Ruckwärtsgang	Pignon Marche Arrière	Ingranaggio retromarcia	Engranaje MA	1
0600-0060	1	4300120	Key-mainshaft special	KEY -Hauptwelle SPECIAL	KEY - Arbre Principal SPECIAL	KEY - Complessivo Albero Principale SPECIAL	KEY - Conjunto Eje Principal SPECIAL	1
0600-0069	-	4300830	Washer-selective	Scheibe-SEL	Rondelle - SEL	Rosetta - SEL	Arandela - SEL	1
0600-0070	-	4300382	Washer-selective	Scheibe - SEL	Rondelle - SEL	Rosetta - SEL	Arandela - SEL	1
0600-0071	-	4300383	Washer-selective	Scheibe - SEL	Rondelle - SEL	Rosetta - SEL	Arandela - SEL	1
0600-0072	-	4300384	Washer-selective	Scheibe - SEL	Rondelle - SEL	Rosetta - SEL	Arandela - SEL	1
0600-0073	-	4300385	Washer-selective	Scheibe - SEL	Rondelle - SEL	Rosetta - SEL	Arandela - SEL	1
0600-0074	-	4300386	Washer-selective	Scheibe - SEL	Rondelle - SEL	Rosetta - SEL	Arandela - SEL	1
0600-0075	-	4300387	Washer-selective	Scheibe - SEL	Rondelle - SEL	Rosetta - SEL	Arandela - SEL	1
0600-0080	1	4302389	Mainshaft	Hauptwelle	Arbre Principal	Complessivo Albero Principale	Conjunto Eje Principal	0
0600-0090	1	19242	Mainshaft 3rd speed gear	Hauptwelle 3 gang SPEED Zahnrad	Arbre Principal 3ème SPEED Pignon	Complessivo Albero Principale 3a SPEED Ingranaggio	Conjunto Eje Principal 3a SPEED Engranaje	0
0600-0100	1	19246	Mainshaft 1st speed gear	Hauptwelle 1 gang SPEED Zahnrad	Arbre Principal 1ère SPEED Pignon	Complessivo Albero Principale 1a SPEED Ingranaggio	Conjunto Eje Principal 1a SPEED Engranaje	0
0600-0110	1	19614	Mainshaft 2nd speed gear	Hauptwelle 2 gang SPEED Zahnrad	Arbre Principal 2nde SPEED Pignon	Complessivo Albero Principale 2a SPEED Ingranaggio	Conjunto Eje Principal 1a SPEED Engranaje	0
0600-0120	1	62504	Roll pin	ROLL Stift	ROLL Goupille	ROLL Alberino	ROLL Pasador	1

Sequence No	Qty	Part No	English	Deutsch	Francese	Italiano	Español	Stock Qty
0605	2	16783	Ext snap ring Mainshaft	EXT Sicherungsring Hauptwelle	EXT Circlips Arbre Principal	EXT Anello di sicurezza Complessivo Albero principal	EXT Anillo elastico Conjunto Eje Principal	2

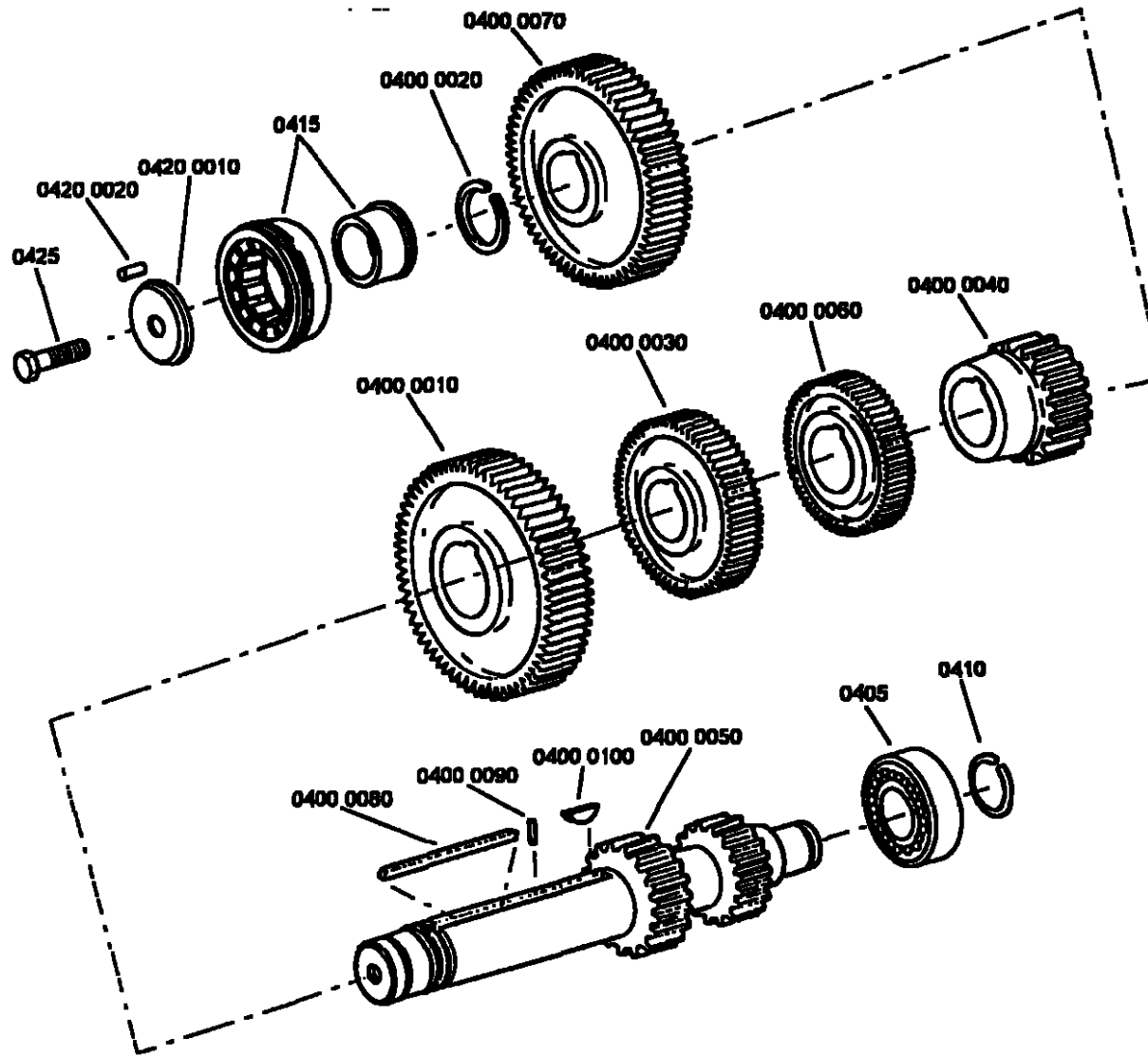
Countershaft Assy Right, Vorgelegewelle RIGHT, Arbre Intermediaire RIGHT, Contalbero RIGHT, Eje Secundo RIGHT



Countershaft Assy Right, Vorgelegewelle RIGHT, Arbre Intermédiaire RIGHT, Contalbero RIGHT, Eje Secundo RIGHT

Sequence No	Qty	Part No	English	Deutch	Francese	Italiano	Espanol	Stock Qty
0300	1	U14001	Countershaft assy right	Vorgelegewelle RIGHT	Arbre Intermédiaire RIGHT	Contalbero RIGHT	Eje secundo RIGHT	0
0300-0010	1	20840	Countershaft pto gear	Vorgelegewelle PTO Zahnrad	Arbre Intermédiaire PTO Pignon	Contalbero PTO Ingranaggio	Eje secundo PTO Engranaje	1
0300-0020	1	19198	Snap ring	Sicherungsring	Circlips	Anello di sicurezza	Anillo elastico	1
0300-0030	1	19243	C/shaft 3rd speed gear	Vorgelegewelle	C/Axe 3ème Pignon	C/Albero 3a Ingranaggio	C/Eje 3a Engranaje	0
0300-0040	1	19247	C/shaft 1st speed gear	Vorgelegewelle	C/Axe 1ère Pignon	C/Albero 1a Ingranaggio	C/Eje 1a Engranaje	0
0300-0050	1	19549	Countershaft	Vorgelegewelle	Arbre intermédiaire	Contalbero	Eje secundo	0
0300-0060	1	19815	C/shaft 2nd speed gear	Vorgelegewelle	C/Axe 2nde Pignon	C/Albero 2a Ingranaggio	C/Eje 2a Engranaje	0
0300-0070	1	19831	Countershaft drive gear	Vorgelegewelle	Arbre Intermédiaire Pignon de commande	Contalbero Ingranaggio comando	Eje secundo Engranaje conductor	0
0300-0080	1	19873	Countershaft key	Vorgelegewelle	Arbre Intermédiaire	Contalbero	Eje secundo	0
0300-0090	1	62511	Roll Pin	ROLL Stift	ROLLE Goupille	ROLL Alberino	ROLL Pasador	1
0300-0100	1	X-6-E	Key - Woodruff	KEY - WOODRUFF	KEY- WOODRUFF	KEY- WOODRUFF	KEY- WOODRUFF	1
0305	1	14366	Roller Bearing	Rollenlager	Roulement à rouleaux	Cuscinetto a rulli	Cojinete de rodillas	1
0310	1	14317	Snap ring c/shaft rb	Sicherungsring c/welle RB	Circlips c/Axe RB	Anello di sicurezza C/Albero RB	Anillo elastico C/Eje RB	1
0315	1	81022	Roller Bearing	Rollenlager	Roulement à rouleaux	Cuscinetto a rulli	Cojinete de rodillas	1
0320	1	19688	Retainer	Stutzscheibe	Bague de retenue	Anello di ritagno	Anillo apoyo	0
0320-0020	0	-	Roll Pin	ROLL Stift	ROLLE Goupille	ROLL Alberino	ROLL Pasador	1
0325	1	X-7-1005	Bolt 5/8 UNF x 1.75	Schraube	vis	Vite	Tornillo	1

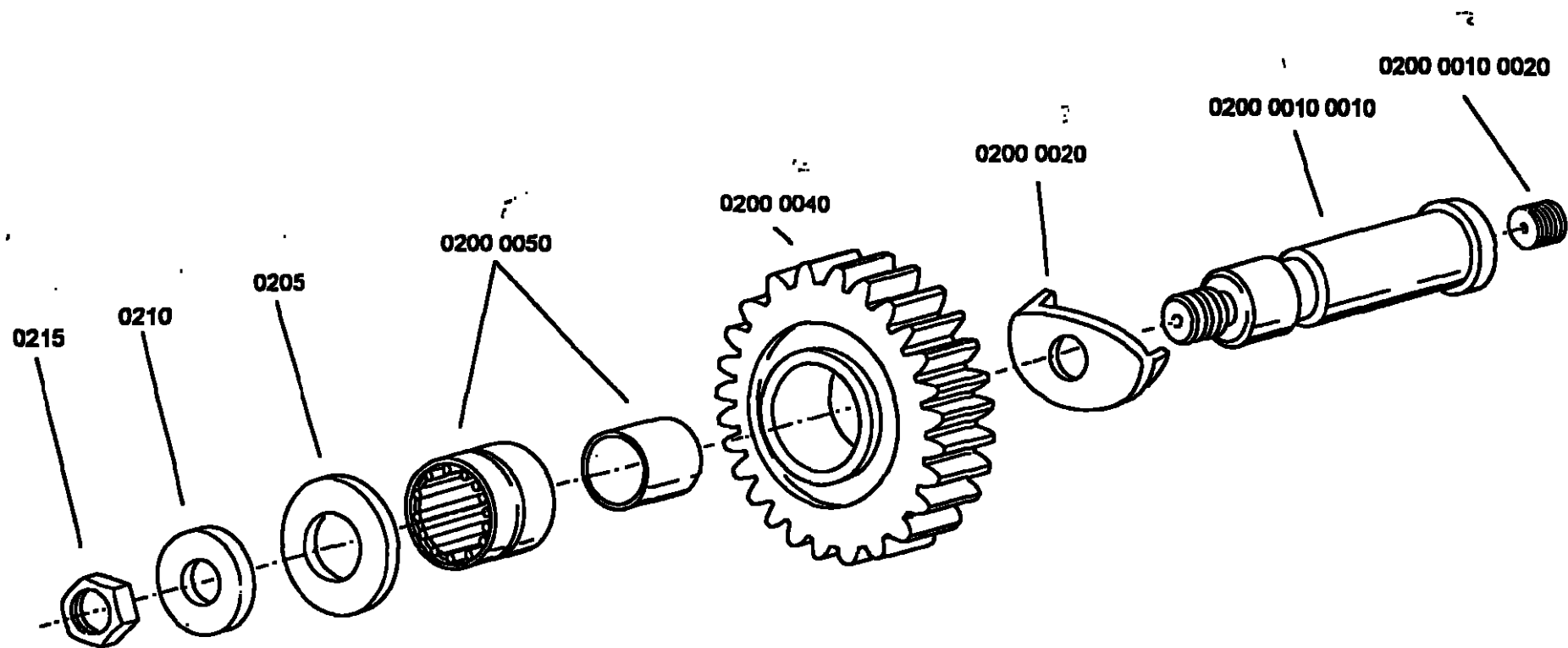
Countershaft Assy Left, Vorgelegewelle LEFT, Arbre Intermediaire LEFT, Contalbero LEFT, Eje Secundo LEFT



Countershaft Assy Left, Vorgelegewelle LEFT, Arbre Intermédiaire LEFT, Contalbero LEFT, Eje Secundo LEFT

Sequence No	Qty	Part No	English	Deutsch	Francais	Italiano	Espanol	Stock Qty
0400	1	U14002	Countershaft assy left	Vorgelegewelle LEFT	Arbre intermédiaire LEFT	Contralbero LEFT	Eje secundo LEFT	0
0400-0010	1	15953	Countershaft pto gear l/h	Vorgelegewelle PTO Zahnrad Linkslenker	Arbre intermédiaire PTO Pignon coté gauche	Contralbero PTO Ingranggio sinistra	Eje secundo PTO Engranaje izq.	1
0400-0020	1	19198	Snap ring	Sicherungsring	Circlips	Anello di sicurezza	Anillo elastico	1
0400-0030	1	19243	C/shaft 3rd speed gear	Vorgelegewelle	C/Axe 3ème Pignon	C/Albero 3a Ingranggio	C/Eje 3a Engranaje	0
0400-0040	1	19247	C/shaft 1st speed gear	Vorgelegewelle	C/Axe 1ère Pignon	C/Albero 1a Ingranggio	C/Eje 1a Engranaje	0
0400-0050	1	19549	Countershaft	Vorgelegewelle	Arbre Intermédiaire	Contralbero	Eje secundo	0
0400-0060	1	19615	C/shaft 2nd speed gear	Vorgelegewelle	C/Axe 2nde Pignon	C/Albero 2a Ingranggio	C/Eje 2a Engranaje	0
0400-0070	1	19631	Countershaft drive gear	Vorgelegewelle	Arbre Intermédiaire Pignon de commande	Contralbero Ingranggio comando	Eje secundo Engranaje conductor	0
0400-0080	1	19673	Countershaft key	Vorgelegewelle	Arbre Intermédiaire	Contralbero	Eje secundo	0
0400-0090	1	62511	Roll Pin	ROLL Stift	ROLLE Goupille	ROLL Alberino	ROLL Pasador	1
0400-0100	1	X-6-E	Key - Woodruff	KEY - WOODRUFF	KEY- WOODRUFF	KEY- WOODRUFF	KEY- WOODRUFF	1
0405	1	14366	Roller Bearing	Rollenlager	Roulement à rouleaux	Cuscinetto a rulli	Cojinete de rodillas	1
0410	1	14317	Snap ring c/shaft rb	Sicherungsring c/welle RB	Circlips c/Axe RB	Anello di sicurezza C/Albero RB	Anillo elastico C/Eje RB	1
0415	1	81022	Roller Bearing	Rollenlager	Roulement à rouleaux	Cuscinetto a rulli	Cojinete de rodillas	1
0420	1	19668	Retainer	Stutzscheibe	Bague de retenue	Anello di ritegno	Anillo apoyo	0
0420-0020	0		Roll Pin	ROLL Stift	ROLLE Goupille	ROLL Alberino	ROLL Pasador	1
0425	1	X-7-1005	Bolt 5/8 UNF x 1.75	Schraube	vis	Vite	Tornillo	1

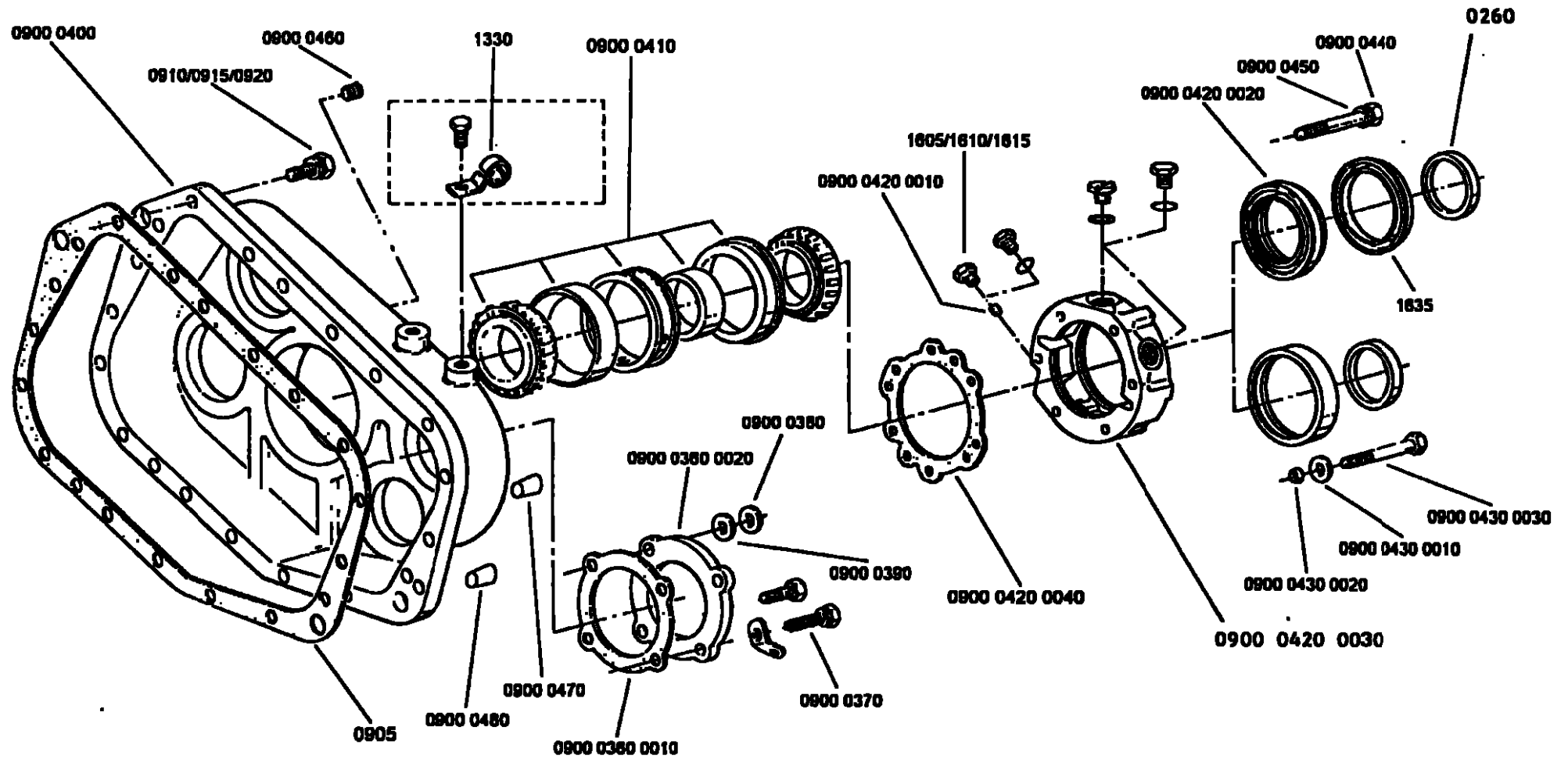
Reverse Idler Assembly, Ruckwärtsgang IDLER, Marche Arrière IDLER, Rinvio Rm IDLER, MA IDLER



Reverse Idler Assembly, Ruckwartsgang IDLER, Marche Arrière IDLER, Rinvio Rm IDLER, MA IDLER

Sequence No	Qty	Part No	English	Deutsch	Francaise	Italiano	Espanol	Stock Qty
0200	2	A-4104	Reverse idler assy	Ruckwartsgang IDLER	Marche arrière IDLER	RM IDLER	MA IDLER	0
0200-0010	1	U14888	Idler shaft plug assy	IDLER Welle Stopfen	IDLER Axa Bouchon	IDLER Albero Tappo	IDLER Eje Tapon	0
0200-0010-0010	1	16405	Reverse idler Shaft	Ruckwartsgang IDLER Welle	Marche arrière IDLER Axa	RM IDLER Albero	MA IDLER Eje	0
0200-0010-0020	1	5202	Str Plug	STR Stopfen	STR Bouchon	STR Tappo	STR Tapon	0
0200-0020	1	16403	Rev idler cup washer	R-Gang IDLER CUP Scheibe	Marche arrière IDLER CUP Rondelle	Retromarcia IDLER CUP Rosetta	MA IDLER CUP Arandela	0
0200-0040	1	16757	Reverse idler gear	Ruckwartsgang IDLER Zahnrad	Marche arrière IDLER Pignon	RM IDLER Ingraniglio	MA IDLER Engranaje	0
0200-0050	1	14287	Needle Bearing	NEEDLE Lager	NEEDLE Roulement	NEEDLE Cuscinetto	NEEDLE Cojinete	0
0205	2	14282	Rev idler trt washer	R-Gang IDLER TRT Scheibe	Marche arrière IDLER TRT Rondelle	Retromarcia IDLER TRT Rosette	MA IDLER TRT Arandela	0
0210	2	14283	Shaft ret plate	Welle RET Platte	Axa RET Plaque	Albero RET Plastra	Eje RET Placa	0
0215	2	X-1-1008	Elastic stop nut 5/8	ELASTIC STOP Mutter 5/8	ELASTIC STOP Ecrou 5/8	ELASTIC STOP Dado 5/8	ELASTIC STOP tuerca 5/8	0

Rear Case Assembly, Nachschaltgruppen-Gehäuse, Carter Arriere Assemble, Complessivo Scatola posteriore, Conjunto Tapa Trasera

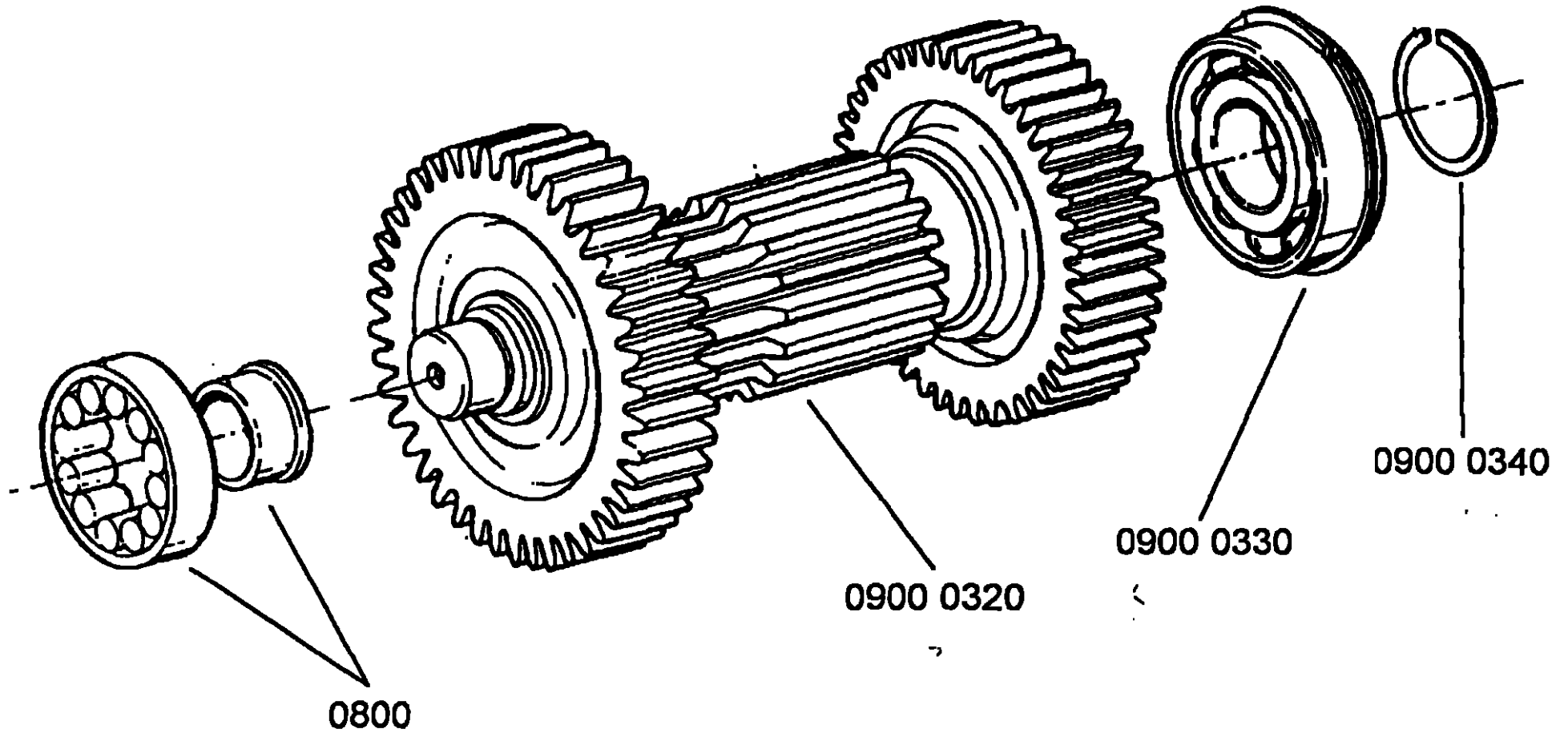


Rear Case Assembly, Nachschaltgruppen-Gehäuse, Carter Arrière Assemble, Complessivo Scatola posteriore, Conjunto Tapa Trasera

Sequence No	Qty	Part No	English	Deutsch	Francés	Italiano	Español	Stock Qty
0900-0360-0010	1	F98448	Gasket - cover aux	Dichtung - Deckel AUX	Joint - Couvercle AUX	Guarnizione - Coperchio AUX	Junta - Tapa AUX	1
0900-0360-0020	1	17376	Cover Countershaft	Deckel Vorgelegewelle	Couvercle Arbre Intermédiaire	Coperchio Contralbero	Tapa Eje segundo	0
0900-0370	8	X-8L-604	Bolt 3/8 UNC	3/8 - 16 x 11/4 Schraube	3/8 - 16 x 11/4 Vis tête hexagonale	3/8 - 16 x 11/4 Vite	3/8 - 16 x 11/4 Tornillo	0
0900-0380	8	17106	Metal gasket	METAL Dichtung	METAL Joint	METAL Guarnizione	METAL Junta	2
0900-0390	8	19709	Sealing collar	SEALING Scheibe	SEALING Collier	SEALING Collarino	SEALING Anillo	2
0900-0400	1	F99972	Rear housing	Hinteres Gehäuse	Carter Corps	Posteriore Scatol	REAR Envuelta	0
0900-0410	1	14367	Taper roller bearing	Kegelrollenlager	Roulement à rouleaux coniques	Cuscinetti a rulli conici	Conjate de rodillos conicos	2
0900-0420-0010		7992	Bush	Buchse	Bague	Boccola	Casquillo	1
0900-0420-0020	1	21036	Oil Seal	Öldichtring	Joint d'antanchéité	Tenuta olio	Reten de aceite	1
0900-0420-0030	1	F98295	Rear Bearing cover	Hinteres Lager Deckel	Couvercle Carter AR	Posteriore Coperchio Cuscinetto	Tapa Trasera delantera	1
0900-0420-0040	1	15532	Cover gasket rear bearing	Deckel Dichtung Hinteres Lager	Couvercle Joint Carter Roulement	Coperchio Guarnizione Posteriore Cuscinetto	Tapa Junta Trasera Conjete	1
0900-0430-0010	0	17106	Metal gasket	METAL Dichtung	METAL Joint	METAL Guarnizione	METAL Junta	1
0900-0430-0020	0	19709	Sealing collar	SEALING Scheibe	SEALING Collier	SEALING Collarino	SEALING Anillo	1
0900-0430-0030	0	X-8-882	Bolt 3/8 UNC	3/8-16unc	3/8-16unc	3/8-16unc	3/8-16unc	0
0900-0440	5	X2011578	Bolt 3/8 UNC	Sc. & wa. ay. 3/8 unc x 2.75	Sc. & wa. ay. 3/8 unc x 2.75	Sc. & wa. ay. 3/8 unc x 2.75	Sc. & wa. ay. 3/8 unc x 2.75	0
0900-0450	1	X11236	Bolt 3/8 UNC	3/8 SPECIAL Schraube	3/8 SPECIAL Vis	3/8 SPECIAL Vite	3/8 SPECIAL Tornillo	0
0900-0460	1	X2013515	Plug	Stopfen	Bouchon	Tappo	Tapon	0
0900-0470	1	X-12-1206	Drain Plug	Ablassschraube	Bouchon de vidange	Tappo di scarico	Tapon de vaciado	0
0800-0480	3	F98182	Plug					
0905	1	14335	Rear housing gasket	Hinteres Gehäuse Dichtung	Carter Corps Joint	Posteriore Scatola Guarnizione	Trasera Envuelta Junta	1
0910	9	X-8L-602	Bolt 3/8 UNC x 1.5	Schraube	Vis	Vite	Tornillo	9
0915	8	X-8L-604	Bolt 3/8 UNC x 1.25	Schraube	Vis	Vite	Tornillo	8
0920	2	X-8L-614	Bolt 3/8 UNC x 2.0	HEX HD Schraube/Scheibe	HEX HD Vis/Rondelle	HEX HD Vite/Rosetta	HEX HD Tornillo/Arandela	0

Sequence No	Qty	Part No	English	Deutsch	Francais	Italiano	Espanol	Stock Qty
0925	2	F96345	Pin Dowel	Stift Passstift	Goupille-Goupille	Alberino-Grano di riferimento	Pasador-Espiga	1
0930	1	X14100	M18 Plug					
0935	1	X11511	Copper Washer					
0930	1	X14100	M18 Plug					
0935	1	X11511	Copper Washer					
1600	1	F96131	Speedo Rotor	SPEEDO	SPEEDO	SPEEDO	SPEEDO	0
1605			Speedo Pinion 17T	SPEEDO PINION 17T	SPEEDO PINION 17T	SPEEDO PINION 17T	SPEEDO PINION 17T	
1610			Washer	Scheibe	Rondelle	Rosetta	Arandela	0
1615			Adaptor bush & seal assy	Adapter buchse & SEAL	Adaptateur Bague & Joint d'etanchéité	Adattore Boccola & Guarnizione tenuta	Adaptador Casquillo & Reten	0
1620			Speedo adaptor cap	SPEEDO Adapter CAP	SPEEDO Adaptateur CAP	SPEEDO Adattore CAP	SPEEDO Adaptador CAP	0
1625	1	F96254	Flange X-Serrated	COMPANION FLANGE	COMPANION FLANGE	COMPANION FLANGE	COMPANION FLANGE	0
1630	1	F96454	Nut 2' stake output shaft	Mutter 2' STAKE Abtriebswelle	Ecrou 2' STAKE Arbre De Sortie	Dado 2' STAKE Albero Di Uscita	Tuerca 2' STAKE Eje De Salida	1
1635	1	F96189	Grit shield	Schutzschild	Casse poussière	Ripero plastrico	Recogelimpurezas	0
	1	F96252	Face Seal					
	1	F96063	Copper Washer					

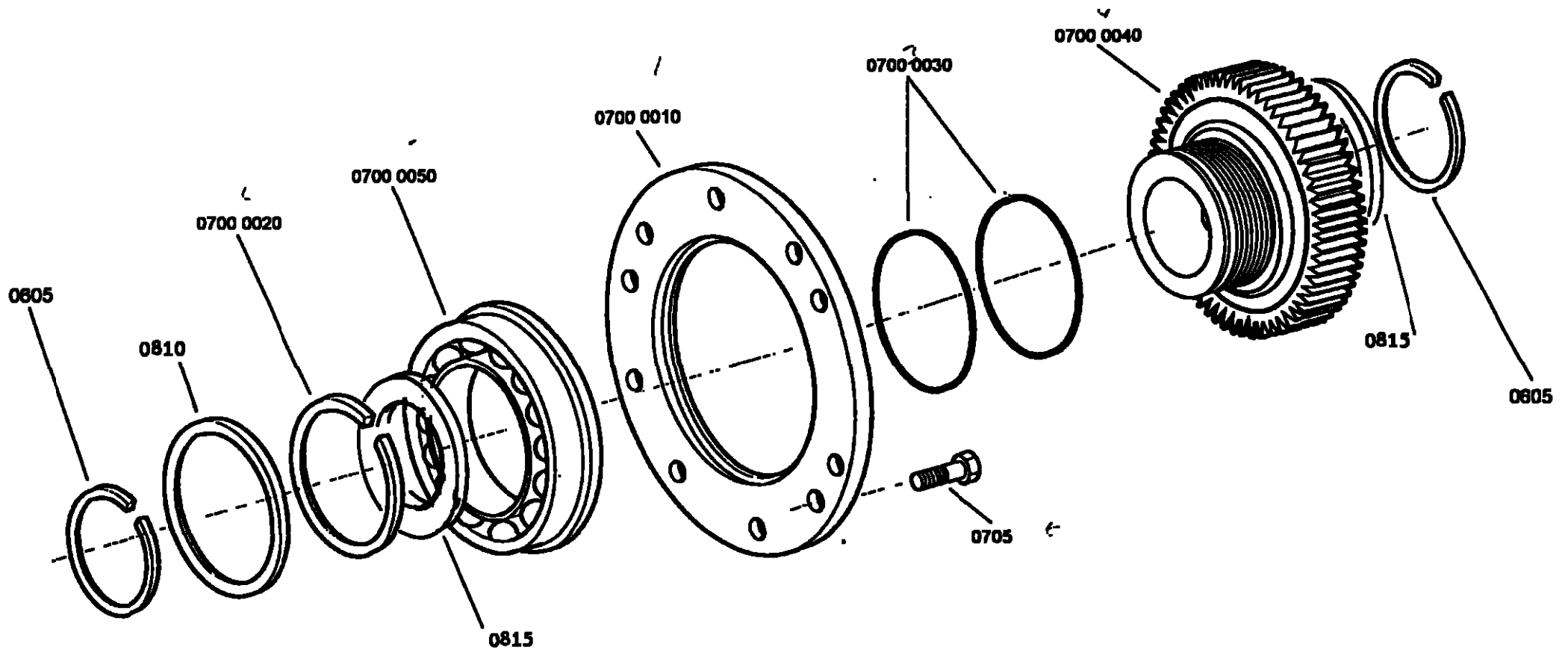
Auxiliary Countershaft Assy, Vorgelegewelle Nachschaltgruppe, Arbre Interne Auxiliaire, Contralbero Ausil Completo, Conjunto Eje Secundario Auxliar



Auxiliary Countershaft Assy, Vorgelegewelle Nachschaltgruppe, Arbre Secondaire Auxiliaire, Contralbero Ausil Completo, Conjunto Eje Secundario Auxiliar

Sequence No	Qty	Part No	English	Deutsch	Francese	Italiano	Espanol	Stock Qty
0800	2	20015	Bearing: Front Aux C/Shaft					
0900-0320	2	A-4788	Aux ext. welded c/sft assy	AUX EXT WELDED C/SFT	AUX EXT WELDED C/SFT	AUX EXT WELDED C/SFT	AUX EXT WELDED C/SFT	0
0900-0330	2	X11313	Rear bearing aux c/s	REAR Lager AUX C/S	REAR Roulement AUX C/S	REAR Cuscinetto AUX C/S	REAR Cojinete AUX C/S	2
0900-0340	2	X2014010	K ring aux c/shaft	K RING AUX C/SHAFT	K RING AUX C/Axe	K RING AUX C/Albero	K RING AUX C/Eje	2
0900-0350	2	17384	Spacer					

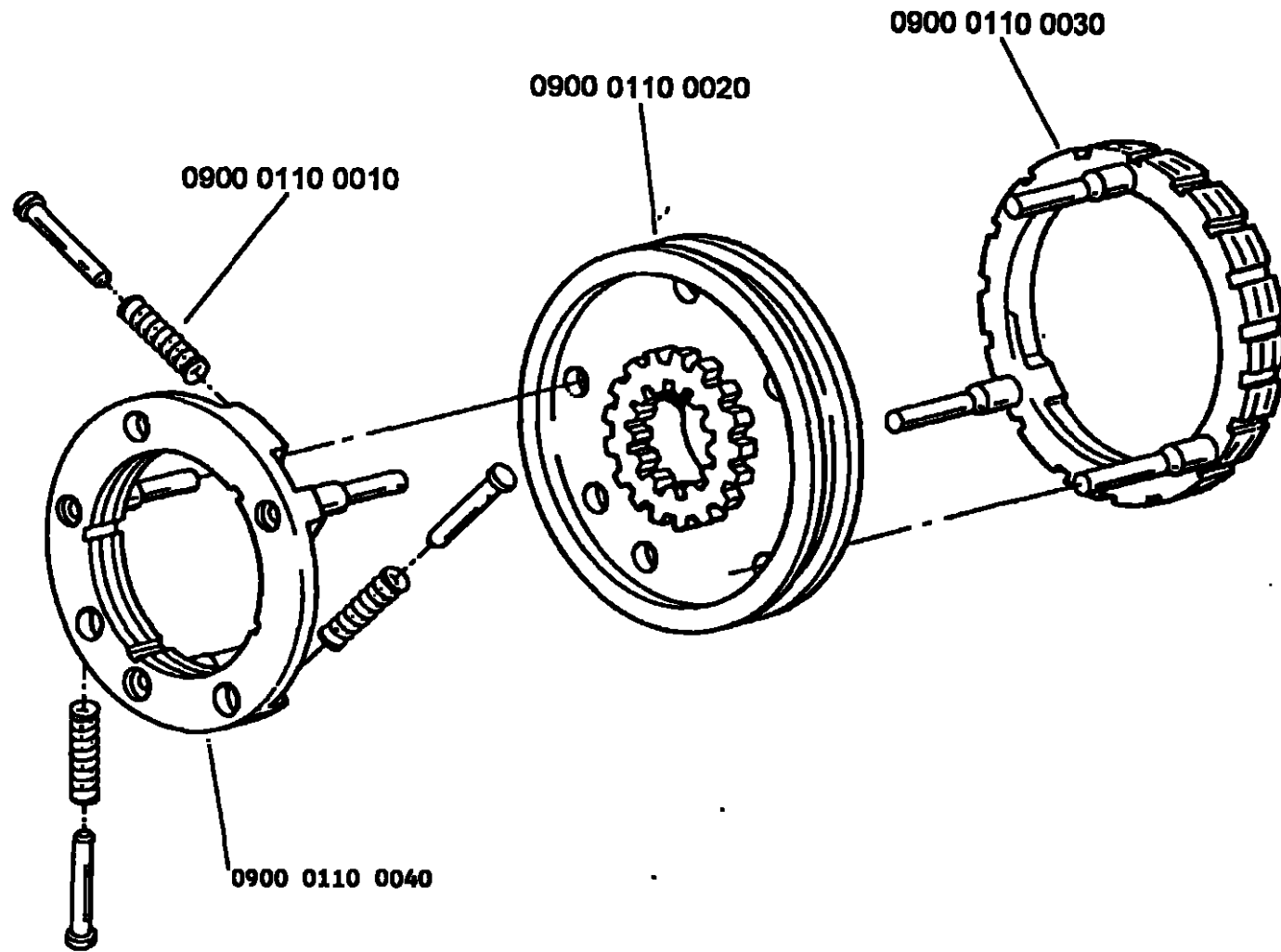
Auxiliary drive gear Assy, AUX Antriebszahnrad, AUX Pignon de commande, AUX Ingranaggio comando, AUX Engranaje conductor



Auxiliary drive gear Assy, AUX Antriebszahnrad, AUX Pignon de commande, AUX Ingranaggio comando, AUX Engranaje conductor

Sequence No	Qty	Part No	English	Deutsch	Francés	Italiano	Español	Stock Qty
0700	1	U14005	Aux drive gear assy	AUX Antriebszahnrad	AUX Pignon de commande	AUX Ingranaggio comando	AUX Engranaje conductor	0
0700-0010	1	16138	Bearing ret - aux drive gear	BRG RET - AUX Antriebszahnrad	BRG RET - AUX Pignon de commande	BRG RET - AUX Ingranaggio comando	BRG RET - AUX Engranaje conductor	0
0700-0020	1	16628	Snap ring aux m/s dr gear	Sicherungering AUX M/Sicherungering DR Zahnrad	Circlips AUX M/Circlips DR Pignon	Anello di sicurezza AUX M/Anello di sicurezza DR Ingranaggio	Anillo elastico AUX M/Anillo elastico DR Engranaje	1
0700-0030	2	17453	"O" Ring	"O" RING	"O" RING	"O" RING	"O" RING	2
0700-0040	1	4300463	Gear - drive	Antriebszahnrad	Pignon DRIVE	Ingranaggio - DRIVE	Engranaje - DRIVE	1
0700-0050	1	5566504	Bearing - ball	Lager - Kugel	Roulement - Bille	Cuschetto - Sfera	Cojinete - Bola	1
0705	6	X-8-645	Screw 3/8 UNC	Schraube UNC	Vite 3/8 UNC	Vite 3/8 UNC	Tornillo 3/8 UNC	0

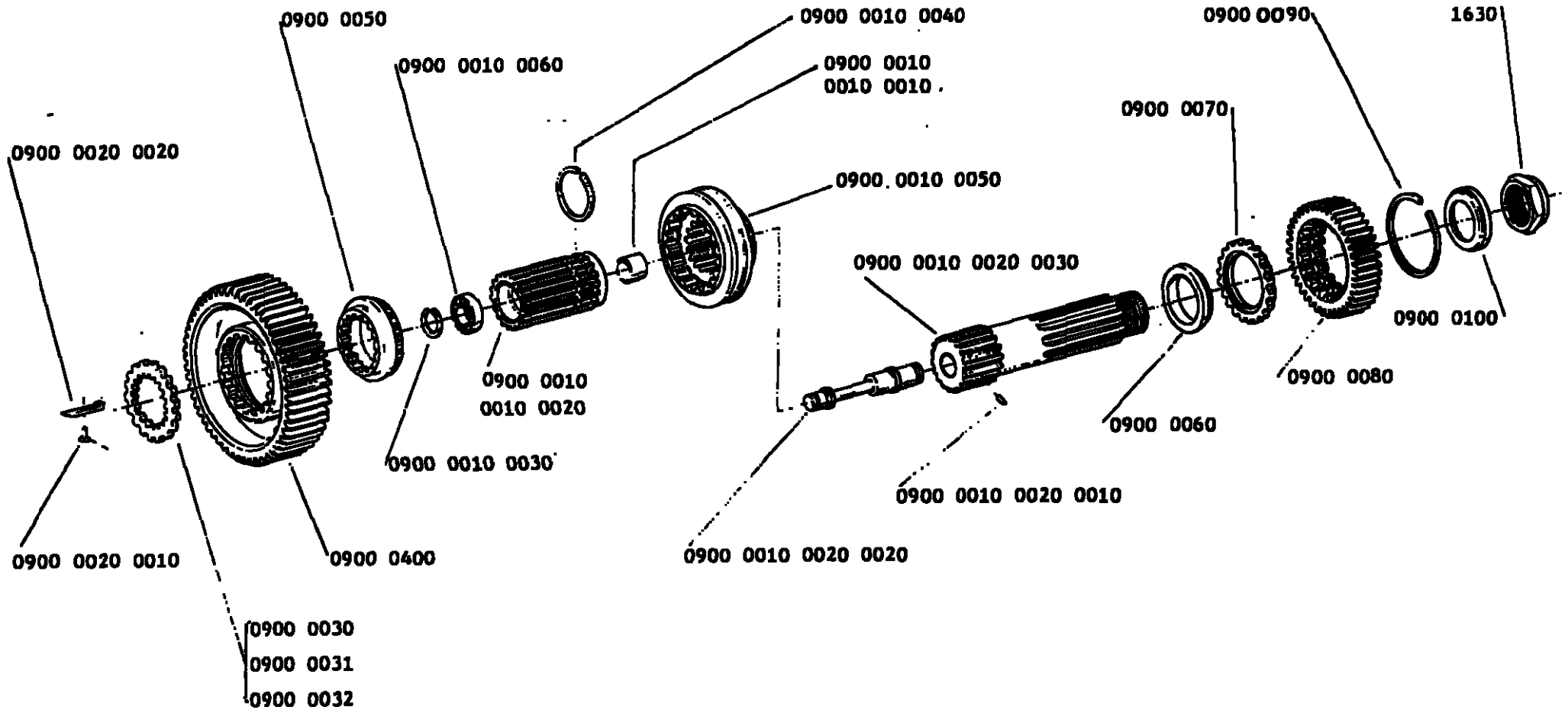
Synchroniser Assy, SYNCHRONISER, SYNCHRONISER, SYNCHRONISER, SYNCHRONISER



Synchroniser Assy, SYNCHRONISER, SYNCHRONISER, SYNCHRONISER, SYNCHRONISER

Sequence No	Qty	Part No	English	Deutsch	Francés	Italiano	Español	Stock Qty
0900-0110	-	A-5918	Synchroniser Assy					
0900-0110-0010	3	14897	Spring dir syn plate	Feder DIR SYN Platte	Ressort DIR SYN Plaque	Molla DIR SYN Plastra	Muelle DIR SYN placa	1
0900-0110-0020	1	20323	Range sliding clutch	RANGE Schiebemuffe	RANGE Crebbot	RANGE Manicotto scorrevole	RANGE Carrete	1
0900-0110-0030	1	A-5876	Syn assy aux red	SYN. - AUX RED	SYN. - AUX RED	SYN. - AUX RED	SYN. - AUX RED	1
0900-0110-0040	1	A-5917	Syn assy Aux dir					

Aux Range Mainshaft Assembly, AUX RANGE - Hauptwelle, AUX RANGE - Arbre Principal, AUX RANGE - Complesivo Albero Principale, AUX RANGE - Conjunto Eje Principal

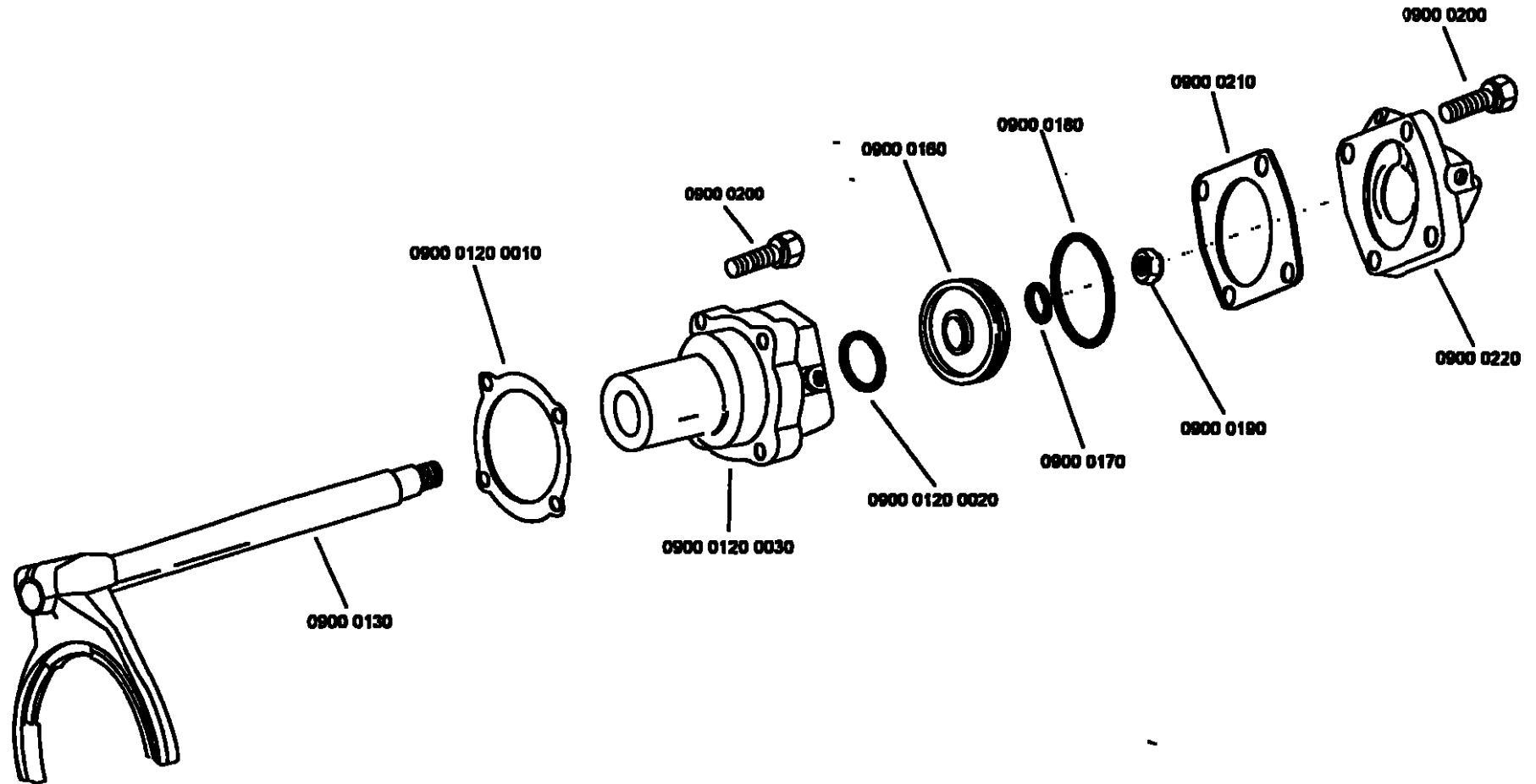


Aux Range Mainshaft Assembly, AUX RANGE - Hauptwelle, AUX RANGE - Arbre Principal, AUX RANGE - Complesivo Albero Principale, AUX RANGE - Conjunto Eje Principal

Sequence No	Qty	Part No	English	Deutch	Francese	Italiano	Espanol	Stock Qty
0900-0010	-	U11337	Aux M/S Assy					
0900-0010-0010	-	U15054	Range M/S Assy					
0900-0010-0010-0010	1	F98819	Bronze bushing	BRONZE Buchse	BRONZE Bague	BRONZE Boccola	BRONZE Casquillo	1
0900-0010-0010-0020	1	F98528	Aux, range mainshaft	AUX RANGE Hauptwelle	AUX RANGE Arbre Principal	AUX RANGE Complesivo Albero Principale	AUX RANGE Conjunto Eje Principal	1
0900-0010-0020-0010	1	18833	Grooved pin	Spennstift	Goupille rainurée	Alberino scanalato	Pascador con muescas	1
0900-0010-0020-0020	1	18834	Quill aux mainshaft	QUILL AUX Hauptwelle	QUILL AUX Arbre Principal	QUILL AUX Complesivo Albero Principale	QUILL AUX Conjunto Eje Principal	1
0900-0010-0020-0030	1	F98453	Mainshaft Auxiliary	Hauptwelle AUXILIARY	Arbre Principal AUXILIARY	Complesivo Albero Principale AUXILIARY	Conjunto Eje Principal AUXILIARY	1
0900-0010-0020-0040	0	X11428	Loctite 601 50cc bott	Loctite 601 - 50CC BOTT	Loctite 601 - 50CC BOTT	Loctite 601 - 50CC BOTT	Loctite 601 50CC BOTT	0
0900-0010-0030	1	14291	Snap ring/quill	Sicherungsring/QUILL	Circlops/QUILL	Anello di sicurezza/QUILL	Anillo elastico/QUILL	1
0900-0010-0040	0	18135	Snapring	Sicherungsring	Circlops	Anello di sicurezza	Anillo elastico	1
0900-0010-0050	1	19132	Aux sliding clutch	AUX Schledemeite	AUX Crabot	AUX Manicotto scorrevole	AUX Carrete	1
0900-0010-0060	1	81547	Ball bearing/quill	Lager/QUILL	Roulement/QUILL	Cuscinetto/QUILL	Cojnete/QUILL	1
0900-0020-0010	1	14832	Pin M/S					
0900-0020-0020	1	15516	Key M/S					
0900-0030	1	15932	Washer aux m/s red gear	Scheibe AUX M/S RED Zahnrad	Rondelle AUX M/S RED Pignon	Rosetta AUX M/S RED Ingranaggio	Arandela AUX M/S RED Engranaje	1
0900-0031	1	17257	Washer	Scheibe	Rondelle	Rosetta	Arandela	1
0900-0032	1	17258	Washer aux m/s red gear	Scheibe AUX M/S RED Zahnrad	Rondelle AUX M/S RED Pignon	Rosetta AUX M/S RED Ingranaggio	Arandela AUX M/S RED Engranaje	1
0900-0040	1	F98822	Aux m/shaft red gear	AUX M/Welle RED	AUX M/Axe RED	AUX M/Albero RED	AUX M/Eje RED	1

0900-0050			Coupler	COUPLER	COUPLER	COUPLER	COUPLER	1
0900-0060	1	14332	Washer Aux Red Gear					
0900-0070	1	18250	Spacer Splitter Gear					
0900-0080	1	19663	Aux m/shaft splitter gear	AUX M/Welle SPLITTER Zahnrad	AUX M/Axe SPLITTER Pignon	AUX M/Albero SPLITTER Ingranaggio	AUX M/Eje SPLITTER Engranaje	1
0900-0090	1	14327	Snap ring red gear	Sicherungsring RED Zahnrad	Circips RED Pignon	Anello di sicurezza RED Ingranaggio	Anillo elastico RED Engranaje	1
0900-0100	1	16310	Washer Aux M/S Gear					

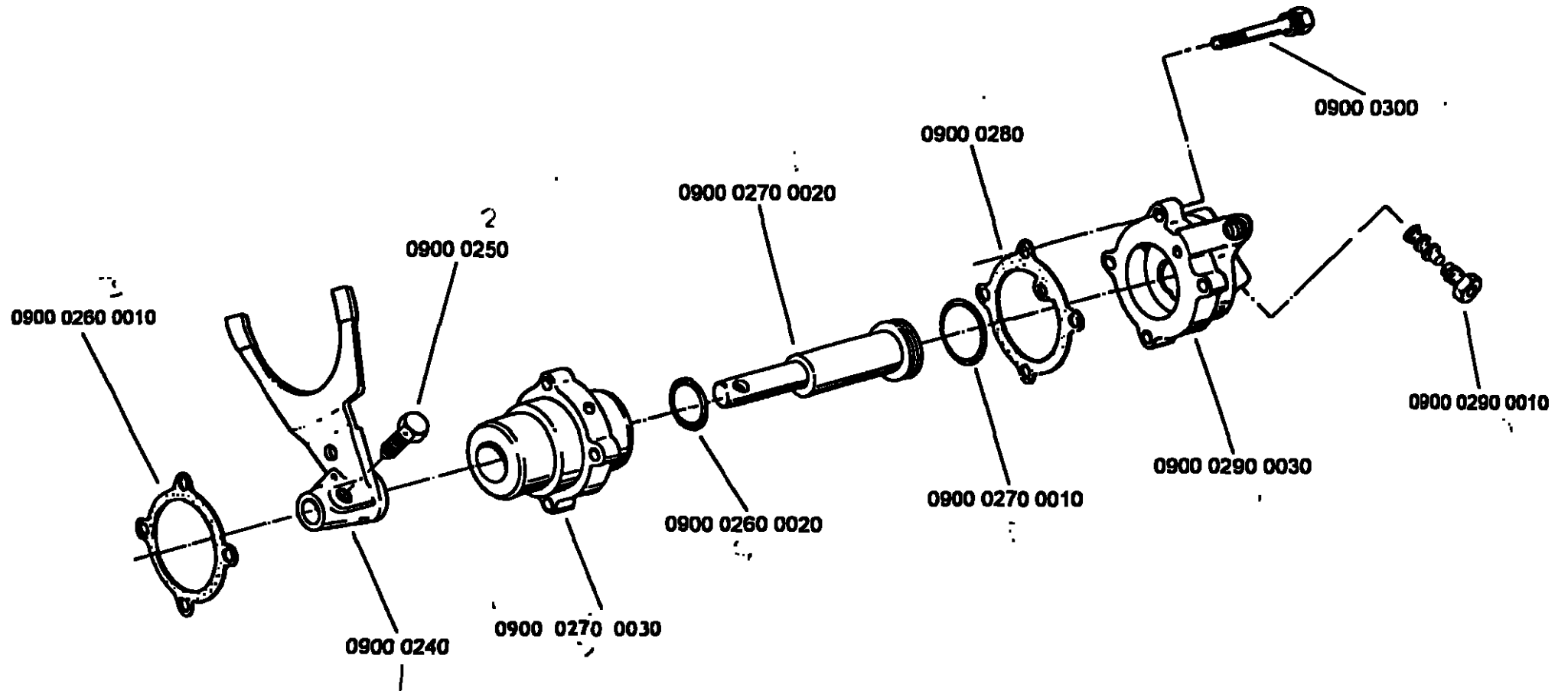
Range Cylinder Assembly, RANGE Zylinder, Cylindre RANGE, RANGE Cilindro, Cilindro RANGE



Range Cylinder Assembly, RANGE Zylinder, Cylindre RANGE, RANGE Cilindro, Cilindro RANGE

Sequence No	Qty	Part No	English	Deutsch	Francese	Italiano	Espanol	Stock Qty
0900-0120		A-4103	Range Shift Cyl Assy					
0900-0120-0010	1	14347	Cyl gasket aux shift	CYL Dichtung AUX SHIFT	CYL Joint AUX SHIFT	CYL Guarnizione SHIFT	CYL Junta AUX SHIFT	1
0900-0120-0020	1	14785	O Ring aux shift cylinder	O Ring Zylinder	Joint torique Cylindre	Guarnizione Toroidale Cilindro	Junta torica Cilindro	1
0900-0120-0030	1	16777	Aux shift cylinder	Zylinder	Cylindre	Cilindro	Cilindro	1
0900-0130	1	A-6159	Range Yoke Assy	Schaltgabel	Fourchette	Forcella	Horquilla	1
0900-0160	1	14341	Aux Yoke bar piston	AUX Schaltgabel Schaltschiene Kolben	AUX Fourchette Axe de fourchette Piston	AUX Forcella Asta di comando Stantuffo	AUX Horquilla Varilla Piston	1
0900-0170	1	14345	Piston O Ring ay bar	Kolben O Ring AY Schaltschiene	Piston Joint torique AY Axe de fourchette	Stantuffo Guarnizione toroidale AY Asta di comando	Piston Junta torica AY Varilla	1
0900-0180	1	14344	Piston O Ring ay bar	Kolben O Ring AY Schaltschiene	Piston Joint torique AY Axe de fourchette	Stantuffo Guarnizione toroidale AY Asta di comando	Piston Junta torica AY Varilla	1
0900-0190	1	X-1-1010	Eslok nut 5/8-18	ESLOK Mutter 5/8-18	ESLOK Ecrou 5/8-18	ESLOK Dado 5/8-18	ESLOK Tuerca 5/8-18	1
0900-0200	8	X-8L-604	Screw 3/8	Schraube	Vis	Vite	Tornillo	0
0900-0210	1	14349	Cyl cover gasket	CYL Deckel Dichtung	CYL Couvercle Joint	CYL Coperchio Guarnizione	CYL Tapa Junta	1
0900-0220	1	F99857	Range Cylinder cover	RANGE Zylinder Deckel	RANGE Cylindre Couvercle	RANGE Cilindro Coperchio	RANGE Cilindro Tapa	0
0900-0230	1	12880	Elbow 45°					

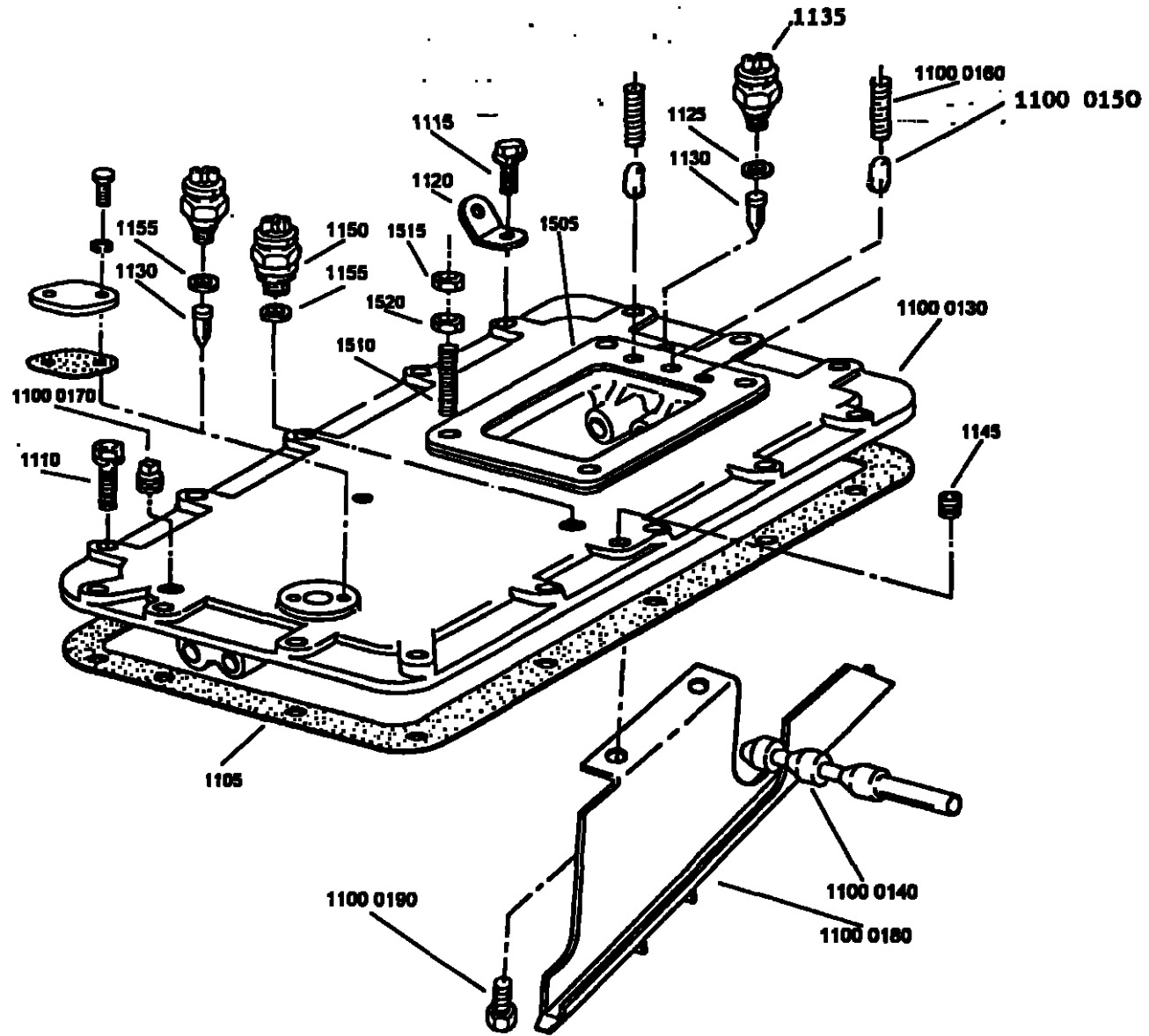
Splitter Cylinder Assembly, Splitter Zylinder, Cylindre du Relais, Servocilindro, Cilindro Splitter



Splitter Cylinder Assembly, Splitter Zylinder, Cylindre du Relais, Servocilindro, Cilindro Splitter

Sequence No	Qty	Part No	English	Deutsch	Francés	Italiano	Español	Stock Qty
0900-0240	1	19128	Splitter yoke	Splitter Schaltgabel	Fourchette du relais	Servo Forcella	Splitter Horquilla	0
0900-0250	1	3220	Locking Screw	LOCKING Schraube	LOCKING Vis	LOCKING Vite	LOCKING Tornillo	0
0900-0260-0010	1	14632	Gasket	Dichtung	Joint	Guarnizione	Junta	1
0900-0260-0020	1	21208	O ring	O ring	Joint torique	Guarnizione toroidale	Reten torica	1
0900-0270-0010	1	21208	O ring	O ring	Joint torique	Guarnizione toroidale	Reten torica	1
0900-0270-0020	1	21211	Splitter Yoke bar	SPLITTER Schaltgabel	SPLITTER Fourchette Axe de fourchette	SPLITTER Forcella Asta di comando	SPLITTER Horquilla Varilla	1
0900-0270-0030	1	21210	Splitter Shift Cyl					
0900-0280	1	17073	Splitter gasket	SPLITTER Dichtung	SPLITTER Joint	SPLITTER Guarnizione	SPLITTER Junta	1
0900-0290-0010	1	19974	Viton insert valve	VITON INSERT VALVE	VITON INSERT VALVE	VITON INSERT VALVE	VITON INSERT VALVE	1
0900-0290-0020	1	15719	Plug Splitter Cyl Cover					
0900-0290-0030	1	17071	Cover/splitter cylinder	Deckel/splitter Zylinder	Couvercle/cylindre Du relais	Coperchio/Servo Cilindro	Tapa/Cilindro Splitter	0
0900-0300	4	X-8L-540	Hex Hd screw/washer assy	HEX HD Schraube/Scheibe	HEX HD Vis/Rondelle	HEX HD Vite/Rosetta	HEX HD Tornillo/Arandela	0

Shift Bar Housing Assembly, Schaltdeckel, Couvercle de Changement de Vitesse, Copertorio Selettore, Tapa de Varillas



Shift Bar Housing Assembly, Schaltdeckel, Couvercle de Changement de Vitesse, Coperchio Selettore, Tapa de Varillas

Sequence No	Qty	Part No	English	Deutsch	Francais	Italiano	Espanol	Stock Qty
1100-0120	1	1819	Lockwire	Draht	Fil de securité	Filo bloccaggio	Alambre de seguridad	0
1100-0130	1	F99980	Shift bar housing	Schaltdeckel	Couvercle De Changement De Vitesse	Coperchio selettore	Tapa De Varillas	0
1100-0140	1	20332	Shaft act. range slave	Welle ACT. RANGE SLAVE	Axe ACT. RANGE SLAVE	Albero ACT. RANGE SLAVE	Eje ACT. RANGE SLAVE	0
1100-0150	3	X-14-800	Bell 1/2"Steel	Kugel 1/2" STEEL	Bille 1/2"STEEL	Sfera 1/2' STEEL	Bola 1/2' STEEL	1
1100-0160	3	15918	Spring posn finder	Feder POSN FINDER	Ressort POSN FINDER	Molle POSN FINDER	Muelle POSN FINDER	3
1100-0170	1	X2013516	Pipe plug 3/8	Verschlusschraube 3/8	Bouchon fileté 3/8	Tappo filettato 3/8	Tapon 3/8	0
1100-0180	1	20070	Oil trough	Ölleitblech	Cuve à huile	Raccoglitore olio	Cubeta aceite	0
1100-0190	2	X-8-423	1/4-20x1/2 unc-2a screw	1/4-20x1/2 unc-2a Schraube	1/4-20x1/2 unc-2a Vis	1/4-20x1/2 unc-2a Vite	1/4-20x1/2 unc-2a Tornillo	0
1105	1	14918	Gasket shift bar housing	Dichtung Schaltdeckel	Joint Couvercle De Changement De Vitesse	Guarnizione Coperchio selettore	Junta Tapa De Varillas	1
1106	0		Detent Plunger					
1107	0		Spring					
1110	14	X-8L-604	Screw	Schraube	Vis	Vite	Tornillo	0
1115	2	X-8L-602	Screw	Schraube	Vis	Vite	Tornillo	0
1120	2	20815	Lifting eye	Hebeose	Patte de levage	Anello di sollevamento	Pieza de izar	0
1125	2	15900	Gasket rev/rsg switch	Dichtung R.Gang/RSG Druckschalter	Joint Marche arrière/RSG Contacteur	Guarnizione retromarcia/RSG Interruttore	Junta MA/RSG Interruptor	1
1130	2	15899	Pin rev/rsg switch	Stift R.Gang/RSG Druckschalter	Goupille Marche arrière/RSG Contacteur	Alberino retromarcia/RSG Interruttore	Pasador MA/RSG Interruptor	1
1135	1	X2013514	Switch-reverse	Druckschalter-Ruckwärtsgang	Contacteur-Marche arrière	Interruttore-Retromarcia	Interruptor MA	1
1140	1	X2013515	Plug	ROAD SPEED GOVENOR Druckschalter	ROAD SPEED GOVENOR Contacteur	ROAD SPEED GOVENOR Interruttore	ROAD SPEED GOVENOR Interruptor	1
1145	1	X2013513	Plug	Stopfen	Bouchon	Tappo	Tapon	0
1146	0		Neutral switch washer	Schlebe-Neutralstellungschalter	Rondelle-de point mort	Rosette-Interruttore folle	Arandela de punto muerto	1
1150	0		Switch-neutral	Druckschalter- NEUTRAL	Contacteur-NEUTRAL	Interruttore-NEUTRAL	Interruptor-NEUTRAL	1
1155	1	17179	Gasket neutral switch	Dichtung Neutralstellungschalter	Joint Contacteur de point mort	Guarnizione Interruttore folle	Junta Interruptor de punto muerto	1
1155	0		Reverse Switch	Stopfen	Bouchon	Tappo	Tapon	0

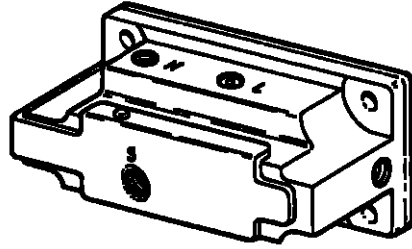
Shift Bar Housing

Sequence No	Qty	Part No	English	Deutsch	Francés	Italiano	Español	Stock Qty
1100	-	U14027	Shift Bar Housing Assy					
1100-0010-0010	1	6392	Spring Rev Stop	Feder	Resort	Molla	Muelle	1
1100-0010-0020	1	8968	Plug rev stop	Stopfen R-Gang STOP	Bouchon Marche arrière STOP	Tappo retromarcia STOP	Tapon MA STOP	0
1100-0010-0030	1	10019	Shift detent plunger	SHIFT Kolben	SHIFT Plongeur de verrouillage	SHIFT Pistone d'arresto	SHIFT Pestillo de retenida	0
1100-0010-0040	1	16131	Low/reverse shift yoke	K/R.Gang Ruckwärtsgang SHIFT Schaltgabel	Rampante/m AR Marche arrière SHIFT Fourchette	Primino/RM RM SHIFT Forcella	Baja/MAMA SHIFT Horquilla	0
1100-0020	1	16132	Yoke bar low/reverse	Schaltgabel Schaltschiene K/R.Gang Ruckwärtsgang	Fourchette Axe de fourchette Rampante/m AR Marche	Forcella Asta di comando primino/RMRM	Horquilla Varilla Baja/MAMA	0
1100-0030	1	16135	Yoke 1st/2nd	Schaltgabel 1 Gang/2 Gang	Fourchette 1ère/2nde	Forcella 1a/2a	Horquilla 1a/2a	0
1100-0040	1	16133	Yoke bar 1st/2nd	Schaltgabel Schaltschiene 1Gang/2 Gang	Fourchette Axe de fourchette 1ère/2nde	Forcella Asta di comando 1a/2a	Horquilla Varilla 1a/2a	0
1100-0050	1	1634	Pin interlock cross	Shift INTERLOCK CROSS	Goupille INTERLOCK CROSS	Aberino INTERLOCK CROSS	Pasador INTERLOCK CROSS	1
1100-0060	2	X-14-1200	Ball 3/4' steel	Kugel 3/4' STEEL	Bille 3/4' STEEL de la bride	Sfera 3/4' STEEL	Bola 3/4' STEEL	1
1100-0070	1	14658	2nd and 3rd shift block	2 Gang & 3 Gang SHIFT Schaltblock	2nde & 3ème SHIFT Sélecteur	2a & 3a SHIFT Nasello cambio	2a & 3a SHIFT Selector	0
1100-0080	1	16136	Yoke 3rd/direct	Schaltgabel 3Gang/Direkt	Fourchette 3ème/Directe	Forcella 3a/Diretto	Horquilla 3a/Directo	0
1100-0090	1	18643	Yoke bar 3rd/direct	Schaltgabel Schaltschiene 1Gang/Direkt	Fourchette Axe de fourchette 3ème/Directe	Forcella Asta di comando 3a/Diretto	Horquilla Varilla 3a/Directo	0
1100-0100	1	14659	4th & dir shift block	4 Gang & DIR SHIFT Schaltblock	4ème & DIR SHIFT Sélecteur	4a & DIR SHIFT nasello cambio	4a & DIR SHIFT Selector	0
1100-0110	5	3220	Locking screw	LOCKING Schraube	LOCKING Vis	LOCKING Vite	LOCKING Tornillo	0

AIR CONTROLS

18

SLAVE VALVE ASSEMBLY 19470

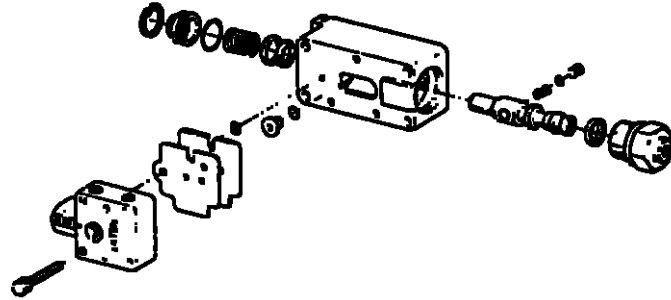


REPLACE UNIT IF DEFECTIVE

Cat 61619-17/04

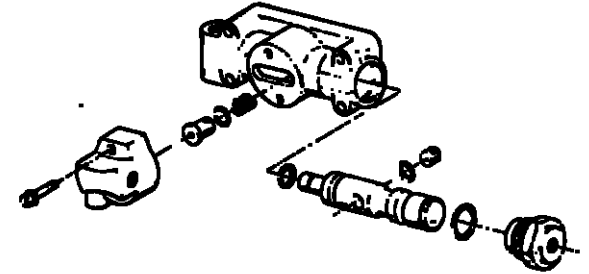
AIR FILTER REGULATOR VALVE ASSEMBLY A-4740

SLAVE VALVE ASSEMBLY A-5000

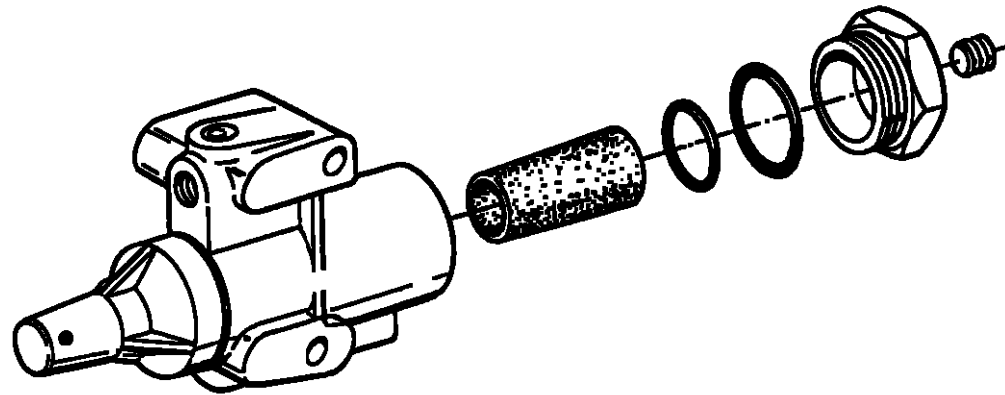


Cat 6162-67/04

SLAVE VALVE ASSEMBLY A-4688



Cat 6169-17/04



Cat 6141-3/08

Slave Valve Assembly, Ventil, Valve, Valvola, Valvula

Sequence No	Qty	Part No	English	Deutsch	Francais	Italiano	Espanol	Stock Qty
1200	1	U14809	Slave Valve assy	Ventil	Valve	Valvola	Valvula	0
1200-0010	1	A-5000	Range Slave Valve assy	RANGE Ventil	RANGE Valve	RANGE Valvola	RANGE Valvula	1
1200-0020	1	55522	Flex Hose assy (L to Cyl)	FLEX HOSE	FLEX HOSE	FLEX HOSE	FLEX HOSE	1
1200-0030	1	55523	Flex Hose assy (H to Cyl)	FLEX HOSE 29°	FLEX HOSE 29°	FLEX HOSE 29°	FLEX HOSE 29°	1
1200-0040	1	55518	Flexible Hose assy (Reg to S)	FLEXIBLE HOSE	FLEXIBLE HOSE	FLEXIBLE HOSE	FLEXIBLE HOSE	1
1200-0050	3	12845	Elbow 90°	Winklerverschraubung 90°	Coude 90°	Raccordo a gomita 90°	Tubo scodado 90°	1
1200-0060	0		Pipe Plug 1/8 ptf	Verchlussschraube 1/8PTF	Bouchon fileté 1/8PTF	Tappo filettato 1/8PTF	Tapon 1/8PTF	0
1200-0070	0		Branch Tee 1/8					
1205	1	19481	Gasket - slave valve	Dichtung - Ventil	Joint - Valve	Guarnizione - Valvola	Junta - Valvula	1
1210	1	21446	Alignment Sleeve	ALIGNMENT SLEEVE	ALIGNMENT SLEEVE	ALIGNMENT SLEEVE	ALIGNMENT SLEEVE	0
1211	1	14033	O Ring/ft brg cover	O Ring/FT BRG Deckel	Joint torique/FT BRG Couvercle	Guarnizione Toroidale/FT BRG Copertchio	Junta torica/FT BRG Tapa	0
1215	1	20490	Range slave actuating pin	RANGE SLAVE Stift	RANGE SLAVE Goupille	RANGE SLAVE Albero	RANGE SLAVE Pasador	0
1220	1	21268	Spring compression	Feder	Ressort de compression	Molla compressione	Resorts de compression	1
1225	4	X-8C-411	Hex Hd screw & washer assy	HEX HD Schraube/Federring	HEX HD Vis/Rondelle Grower	HEX HD Vite/Rosetta	HEX HD Tornillo/Arandela	0
1230	0		Hose - clamp triple	HOSE - Schelle TRIPLE	HOSE - Collier TRIPLE	HOSE - Fascetto TRIPLE	HOSE - Abrazadera TRIPLE	0
1235	0		Connector Assy					

Filter regulator assy, Filter/Regler Einheit, Filtre/Régulateur, Complessivo Filtro/Regolatore, Conjunto Filtro/Regulator

Sequence No	Qty	Part No	English	Deutsch	Franceis	Italiano	Espaniol	Stock Qty
1300	1	A-4740	Filter/reg assy air	Filtter Regler AIR	Filtre/Régulateur AIR	Filtro/Regolatore	Filtro/Regulator	1
1305	2	X-8C-412	Bolt 1/4 UNC x 2.25	Sechskantschraube .25-20X2.25	Vis tête hexagonale .25-20X2.25	Vite .25-20X2.25	Tornillo .25-20X2.25	0
1310	2	X-1-401	Nut 1/4' unc	HEX MUTTER 1/4' UNC	HEX Ecrou 1/4' UNC	HEX Dado 1/4' UNC	HEX Tuerca 1 1/4' UNC	0
1315	2	X2012523	Lockwasher 1/4	Federring 1/4	Rondelle grower 1/4	Rosetta elastica 1/4	Arendela elastica 1/4	0
1320	1	X2013517	Pipe plug 1/8 ptf	Verschlusschraube 1/8 PTF	Bouchon fileté 1/8 PTF	Tappo filettato 1/8 PTF	Tapon 1/8 PTF	0
1325	2	11665	Clamp	Schelle	Collier	Fascetto	Abrazadera	0
1330	1	19779	Hose Clamp	HOSE Schelle	HOSE Collier	HOSE Fascetto	HOSE Abrazadera	0
1335	0	.	Bracket - air flt/reg	Halter - AIR FLT/REG	Support AIR FLT/REG	Supporto AIR FLT/REG	Soporte AIR FLT/REG	0
1340	1	X-8L-601	Bolt	Schraube	Vis	Vite	Tornillo	0
1345	1	55508	Flex Hose assy	FLEX HOSE	FLEX HOSE	FLEX HOSE	FLEX HOSE	1
1350	1	12880	Elbow	Winkelverschraubung	Coude	Ricordo a gomita	Tubo acodado	0
	1	21732	Clamp - Tripple Hose					

		V11248	RTD 11613	H.A.N.	1
SEQUENCE	COMPONENTS	DESCRIPTION	QTY		
0100	U14003	M/CASE AY BASIC * TCB6	1		
0100	CC01	EXTRA.DIST.30	EXTRA COPY		
0100	0010	14371	DISC MAGNET	3	
0100	0020	F72384	C/SHAFT BRAKE TCB-6	1	
0100	0020 CC01	EXTRA.DIST.30	EXTRA COPY		
0100	0020 0010	1684	GASKET 6 HOLE	1	
0100	0020 0070	A-4048	BRAKE ASSY, C/SHAFT PTD	1	
0100	0020 0070 CC01	EXTRA.DIST.30	EXTRA COPY		
0100	0020 0070 0010	16656	BRAKE HOUSING	1	
0100	0020 0070 0020	16658	PISTON	1	
0100	0020 0070 0030	16659	HOUSING COVER	1	
0100	0020 0070 0040	16660	PISTON/ O RING	1	
0100	0020 0070 0050	16661	GASKET COVER	1	
0100	0020 0070 0060	62515	ROLL PIN	1	
0100	0020 0070 0070	X-8L-604	BOLT 3/8UNCX1.25 HEX HD	2	
0100	0020 0090	X-8L-604	BOLT 3/8UNCX1.25 HEX HD	4	
0100	0020 0100	X-8-607	BDLT 3/8UNCX2.25 HEX HD	2	
0100	0020 0110	X2012520	LOCKWASHER 3/8	2	
0100	0030	U14082	8-BOLT PTD COVER ASSEMBLY	1	
0100	0030 CC01	EXTRA.DIST.30	EXTRA COPY		
0100	0030 0010	F77833	8-BOLT PTD COVER-SPECIAL	1	
0100	0030 0020	F99854	DRAIN PLUG ADAPTOR	1	
0100	0040	4302810	LARGE PTD COVER GASKET	1	
0100	0050	10688	MAINCASE	1	
0100	0060	X-8-723	SCREW 7/16UNCX0.88 FLG HD	8	
0100	0070	X-12-802	PIPE PLUG 1/2	1	
0104		NOTE#486	REAR SUPPORT - TOP		
0105		54012	PLUG - POLYETHYLENE	2	
0109		NOTE#487	REAR SUPPORT - BOTTOM		
0110		54012	PLUG - POLYETHYLENE	2	
0125		5766	CLUTCH HSG STUD	6	
0130		X-1-1005	ELASTIC STOP NUT	6	
0135		X-10-1000	WASHER	6	
0140		X-12-1266	DRAIN PLUG	1	
0145		X2013509	PIPE PLUG 1.1/4	1	
0150		F98120	NAMEPLATE	1	
0155		X-13-209	SCREW NO.7X.375 DR CHEESE	2	
0160		X14164	MAGNETIC DRAIN PLUG 3/4"	1	
0161		NOTE#458	FIT ABOVE TO PTD COVER		
0179		NOTE#005			
0200		A-4104	REVERSE IDLER ASSY	2	
0200	CC01	EXTRA.DIST.30	EXTRA COPY		
0200	0010	U14886	IDLER SHAFT PLUG ASSY.	1	
0200	0010 CC01	EXTRA.DIST.30	EXTRA COPY		
0200	0010 0010	16405	REVERSE IDLER SHAFT	1	
0200	0010 0020	5202	STR PLUG	1	
0200	0020	16403	REV IDLER CUP WASHER	1	
0200	0040	16757	REVERSE IDLER GEAR	1	
0200	0050	14287	NEEDLE BEARING	1	
0205		14282	REV IDLER TRT WASHER	2	
0210		14283	SHAFT RET G PLATE	2	
0215		X-1-1008	ELASTIC STOP NUT 5/8	2	
0229		NOTE#805			
0300		U14004	COUNTERSHAFT ASSY RIGHT	1	

	0100 0080	17548	COUNTERSHAFT	1
4	0300 0080	17515	C/SHAFT 2ND SPEED GEAR	4
	0300 0070	17631	COUNTERSHAFT DRIVE GEAR	1
6	0300 0080	17673	COUNTERSHAFT KEY	1
	0300 0090	62511	ROLL PIN	1
8	0300 0100	X-6-E	KEY - WOODRUFF	1
	0305	14366	ROLLER BEARING	1
10	0310	14317	SNAP RING C/SHAFT RB	1
	0315	81022	BALL BEARING	1
	0320	17668	RETAINER	1
	0325	X-7-1005	SCREW 5/8UNFX1.75 HEX HD	1
	0399	NOTE#005		
	0400	U14002	COUNTERSHAFT ASSY LEFT	1
	0400 CC01	EXTRA.DIST.30	EXTRA COPY	
	0400 0010	15953	COUNTERSHAFT PTO GEAR LH	1
	0400 0020	17198	SNAP RING	1
	0400 0030	17243	C/SHAFT 3RD SPEED GEAR	1
	0400 0040	17247	C/SHAFT 1ST SPEED GEAR	1
	0400 0050	17349	COUNTERSHAFT	1
	0400 0060	17615	C/SHAFT 2ND SPEED GEAR	1
	0400 0070	17631	COUNTERSHAFT DRIVE GEAR	1
	0400 0080	17673	COUNTERSHAFT KEY	1
	0400 0090	62511	ROLL PIN	1
	0400 0100	X-6-E	KEY - WOODRUFF	1
	0405	14366	ROLLER BEARING	1
	0410	14317	SNAP RING C/SHAFT RB	1
	0415	81022	BALL BEARING	1
	0420	17668	RETAINER	1
	0425	X-7-1005	SCREW 5/8UNFX1.75 HEX HD	1
	0499	NOTE#005		
	0500	U14371	INPUT SHAFT ASSY	1
	0500 0010	11466	NUT	1
	0500 0020	14750	SNAP RING - M/SHAFT GEAR	1
	0500 0030	16463	BRG SPACER - DRIVE GEAR	1
	0500 0040	16566	DRIVE SHAFT BUSHING	1
	0500 0050	17630	MAIN DRIVE GEAR	1
	0500 0060	F96721	SHAFT - INPUT	1
	0500 0070	81504	BALL BEARING	1
	0505	F96529	COVER-BRG FRONT	1
	0510	19111	OIL SEAL	1
	0515	14311	COVER GASKET RT BEARING	1
	0520	X-8L-604	BOLT 3/8UNCX1.25 HEX HD	4
	0525	X-8L-619	SCREW 3/8UNCX1.25 HEX HD	2
	0599	NOTE#005		
	0600	U14816	MAINSHAFT ASSY.	1
	0600 CC01	EXTRA.DIST.30	EXTRA COPY	
	0600 0010	14749	MAINSHAFT SPLINED SPACER	5
	0600 0020	14750	SNAP RING - M/SHAFT GEAR	5
	0600 0030	16118	MAINSHAFT SLIDING CLUTCH	3
	0600 0040	16754	GEAR, MAINSHAFT - LOW	1
	0600 0050	16756	GEAR, MAINSHAFT - REVERSE	1
	0600 0060	4300120	KEY - MAINSHAFT SPECIAL	1
	0600 0069	4300830	WASHER-SEL, M/SHAFT GEAR	
	0600 0070	4300382	WASHER-SEL, M/SHAFT GEAR	
	0600 0071	4300383	WASHER-SEL, M/SHAFT GEAR	
	0600 0072	4300384	WASHER-SEL, M/SHAFT GEAR	
	0600 0073	4300385	WASHER-SEL, M/SHAFT GEAR	
60	0600 0074	4300386	WASHER-SEL, M/SHAFT GEAR	
	0600 0075	4300387	WASHER-SEL, M/SHAFT GEAR	
62	0600 0076	NOTE#1506	ANY 5 FROM THE ABOVE 7	
	0600 0077	NOTE#1743	INC. MIN. 3-OFF 43/0382	

0605		16710	EXT SNAP RING M/S	1	
0679		NOTE£005			
0700		U14005	AUX DRIVE GEAR ASSY	1	
0700	CC01	EXTRA.DIST.30	EXTRA COPY		
0700	0010	16138	BRG RET - AUX DRIVE GEAR	1	
0700	0020	16628	SNAP RING AUX M/S DR GEAR	1	
0700	0030	17453	'O' RING	2	
0700	0040	4300463	GEAR - DRIVE AUX	1	
0700	0050	5566504	BEARING - BALL	1	
0705		X-8-645	SCREW 3/8UNCX1.00 HEX HD	6	
0799		NOTE£005			
0800		20015	BRG - FRONT AUX C/SHAFT	2	
0801		NOTE£376	2 FOR FRONT OF AUX C/S'S		
0802		X11426	LOCTITE 601-50CC BOT.		
0803		NOTE£007	AS REQUIRED		
0804		NOTE£771	LOCTITE INNER TRACK OF		
0805		NOTE£772	ABOVE BRG. TO AUX C/SHAFT		
0899		NOTE£005			
0900		U14745	REAR CASE ASSEMBLY	1	
0900	0010	U11337	AUX. MAINSHAFT ASSEMBLY	1	
0900	0010	U15054	RANGE MAINSHAFT ASSY	1	
0900	0010	0010	EXTRA COPY		
0900	0010	0010	RANGE MAINSHAFT	1	
0900	0010	0010	BUSHING - RANGE M/SHAFT	1	
0900	0010	0020	PARTIAL AUX M/S ASSY	1	
0900	0010	0020	GROOVED PIN	1	
0900	0010	0020	QUILL AUX MAINSHAFT	1	
0900	0010	0020	MAINSHAFT - AUXILIARY	1	
0900	0010	0020	LOCTITE 601-50CC BOT.		
0900	0010	0020	AS REQUIRED		
0900	0010	0020	THE QUILL / AUX MAINSHAFT	1	
0900	0010	0030	SNAP RING/ QUILL/	1	
0900	0010	0050	AUX SLIDING CLUTCH	1	
0900	0010	0060	BALL BEARING/QUILL	1	
0900	0020	A-3697	AUX M/S KEY& PIN ASSY	1	
0900	0020	CC01	EXTRA COPY		
0900	0020	0010	PIN M/S	1	
0900	0020	0020	KEY M/S	1	
0900	0030	15932	WASHER - AUX M/S RED GEAR		
0900	0031	17257	WASHER		
0900	0032	17258	WASHER AUX M/S RED GEAR		
0900	0033	NOTE£146	ANY 1 FROM ABOVE 3 ITEMS		
0900	0040	F26822	GEAR-RED, M/S - AUX.	1	
0900	0060	14332	WASHER AUX RED GEAR	1	
0900	0070	18250	SPACER SPLIT GEAR	1	
0900	0080	19663	AUX M/SHAFT SPLITTER GEAR	1	
0900	0090	14327	SNAP RING RED GEAR	1	
0900	0100	16310	WASHER AUX M/S GEAR	1	
0900	0110	A-5918	SYNCHRONIZER ASSY.	1	
0900	0110	CC01	EXTRA COPY		
0900	0110	0010	EXTRA.DIST.30		
0900	0110	0020	14897	SPRING DIR SYN PLATE	3
0900	0110	0029	20323	RANGE SLIDING CLUTCH	1
0900	0110	0030	A-5876	SYN. ASSY. - AUX.RED.	1
0900	0110	0030	EXTRA.DIST.30	EXTRA COPY	
0900	0110	0030	20321	PIN - SYNCHRO, REDUCTION	3
0900	0110	0030	4300742	SYN. - AUX.RED.	1
0900	0110	0040	A-5917	SYN. ASSY. - AUX.DIR.	1
0900	0110	0040	CC01	EXTRA.DIST.30	
0900	0110	0040	14327	PIN BLOCKER	3
0900	0110	0040	A-5917	SYN. - AUX.DIR.	1
0900	0120	A-4105	AUX SHIFT CYLINDER ASSY	1	
0900	0110	0040	EXTRA.DIST.30	EXTRA COPY	

0900 0121 0130	NOTE#007	AS REQUIRED	
0900 0130	A-4139	RANGE YOKE ASSY	1
0900 0130 CC01	EXTRA.DIST.30	EXTRA COPY	
0900 0130 0010	21333	YOKE - RANGE	1
0900 0130 0020	4301651	BAR - YOKE	1
0900 0130	14341	AUX YOKE BAR PISTON	1
0900 0170	14345	PISTON O' RING AY BAR	1
0900 0180	14344	PISTON O' RING AY BAR	1
0900 0190	X-1-1010	ESLOK NUT 5/8-18	1
0900 0200	X-8L-604	BOLT 3/8UNCX1.25 HEX HD	8
0900 0210	14349	CYL COVER GASKET	1
0900 0220	F97857	COVER-AUX.SHIFT CYLINDER	1
0900 0230	12880	45 DEGREE ELBOW	1
0900 0240	18128	SPLITTER YOKE	1
0900 0241	1819	LOCKWIRE	1
0900 0250	3220	SCREW 7/16UNFX1.00 HEX HD	1
0900 0260	A-5140	SHIFT CYLINDER ASSY	1
0900 0260 CC01	EXTRA.DIST.30	EXTRA COPY	
0900 0260 0010	14632	GASKET	1
0900 0260 0020	21208	'D' RING	1
0900 0260 0030	21210	SPLITTER SHIFT CYLINDER	1
0900 0270	U14730	YOKE BAR/'O' RING ASSY	1
0900 0270 CC01	EXTRA.DIST.30	EXTRA COPY	
0900 0270 0010	21209	'O' RING	1
0900 0270 0020	21211	SPLITTER YOKE BAR	1
0900 0270 0030	71203	SILICONE LUBRICANT 80Z	
0900 0270 0031	NOTE#007	AS REQUIRED	
0900 0280	17073	SPLITTER GASKET	1
0900 0290	A-4782	SPLITTER CYL COVER ASSY	1
0900 0290 CC01	EXTRA.DIST.30	EXTRA COPY	
0900 0290 0010	19974	VITON INSERT VALVE	1
0900 0290 0020	15719	PLUG /CYL COVER	1
0900 0290 0030	17071	COVER /SPLITTER CYLINDER	1
0900 0300	X-8L-540	BOLT 5/16UNCX1.88 HEX HD	4
0900 0310	A-4788	AUX EXT WELDED C/SFT ASSY	2
0900 0310 CC01	EXTRA.DIST.30	EXTRA COPY	
0900 0310 0010	19975	AUX EXT COUNTERSHAFT	1
0900 0310 0020	19660	AUX C/SHAFT DRIVE GEAR	1
0900 0310 0030	18662	AUX C/SHAFT SPLITTER GEAR	1
0900 0320	X11313	REAR BEARING - AUX C/S	2
0900 0330	X2014010	K RING-AUX C/SHAFT.RB	2
0900 0340	17384	SPACER	2
0900 0350	U14665	COVER/GASKET ASSY-EXT C/S	2
0900 0350 CC01	EXTRA.DIST.30	EXTRA COPY	
0900 0350 0010	F96448	GASKET -COVER AUX.C/S BRG	1
0900 0350 0020	17376	COVER COUNTERSHAFT	1
0900 0360	X-8-604	BOLT 3/8UNCX1.25 HEX HD	8
0900 0370	17106	METAL GASKET	8
0900 0380	19709	SEALING COLLAR	8
0900 0390	F97972	REAR HOUSING	1
0900 0400	14387	TAPER ROLLER BEARING	1
0900 0410	U11215	AUX REAR BRG COVER ASSY	1
0900 0410 0020	21036	OIL SEAL	1
0900 0410 0030	F96295	REAR BEARING COVER	1
0900 0410 0040	15532	COVER GASKET REAR BEARING	1
0900 0430	X2011578	BOLT 3/8UNCX2.75 HEX HD	5
0900 0440	X11234	BOLT 3/8UNCX2.75 HEX HD	1
0900 0450	X2013615	PLUG	1
0900 0460	X-12-1206	DRAIN PLUG	1
0900 0470	F94180	PLUG	3
0905	14399	REAR HOUSING GASKET	1

0975	401511	FOLDED COPPER WA	
0976	NOTE£663	FIT TERS BELOW	
0977	NOTE£662	TO RANGE CYLINDER BODY	
0978	12769	NIPPLE 1/8 CLOSE	1
0980	12881	TEE FITTING 1/8 PIPE	1
0985	X-12-201	PIPE PLUG 1/8	1
0999	NOTE£005		
1100	U14027	SHIFT BAR HSG ASSY	1
1100 CC01	EXTRA.DIST.30	EXTRA COPY	
1100 0010	U14009	YOKE ASSY	1
1100 0010 CC01	EXTRA.DIST.30	EXTRA COPY	
1100 0010 0010	6392	SPRING REV STOP	1
1100 0010 0020	8968	PLUG REV STOP	1
1100 0010 0030	10019	SHIFT DETENT PLUNGER	1
1100 0010 0040	16131	LOW/REVERSE SHIFT YOKE	1
1100 0020	16132	YOKE BAR - LOW/REVERSE	1
1100 0030	16135	YOKE - 1ST/2ND	1
1100 0040	16133	YOKE BAR - 1ST/2ND	1
1100 0050	1634	PIN INTERLOCK CROSS	1
1100 0060	X-14-1200	BALL 3/4' STEEL	2
1100 0070	14658	2ND AND 3RD SHIFT BLOCK	1
1100 0080	16136	YOKE - 3RD/DIRECT	1
1100 0090	18643	YOKE BAR - 3RD/DIRECT	1
1100 0100	14659	4TH AND DIR SHIFT BLOCK	1
1100 0110	3220	SCREW 7/16UNFX1.00 HEX HD	5
1100 0115	NOTE£1304	LDCKWIRE, 5-PLACES	
1100 0120	1819	LDCKWIRE	1
1100 0130	F99980	SHIFT BAR HOUSING	1
1100 0140	20332	SHAFT ACT. RANGE SLAVE	1
1100 0150	X-14-800	BALL 1/2' STEEL	3
1100 0160	15918	SPRING POSN FINDER	3
1100 0170	X2013516	PIPE PLUG 3/8	1
1100 0180	20070	OIL TROUGH	1
1100 0190	X-8-423	SCREW 1/4UNCX.5 HEX HD	2
1100 0200	NOTE£795	LDCKWIRE NOT REQUIRED	
1100 0201	NOTE£796	FDR OIL TROUGH SCREWS	
1105	14918	GASKET SHIFT BAR HOUSING	1
1110	X-8L-604	BOLT 3/8UNCX1.25 HEX HD	14
1115	X-8L-602	BOLT 3/8UNCX1.50 HEX HD	2
1116	NOTE£377	FDR LIFTING EYES	
1120	20815	LIFTING EYE	2
1125	15900	GASKET - REV/RSG SWITCH	2
1130	15899	PIN - REV/RSG SWITCH	2
1135	X2013514	PLUG - REV/RSG SWITCH	2
1140	X2013515	PLUG	1
1145	X2013513	PLUG - 3/4 UNF	1
1150	17179	GASKET NEUTRAL SWITCH	1
1199	NOTE£005		
1200	U14609	SLAVE VALVE ASSEMBLY	1
1200 0010	A-5000	RANGE SLAVE VALVE ASSY	1
1200 0010 CC01	EXTRA.DIST.30	EXTRA COPY	
1200 0020	55522	FLEXIBLE HOSE ASSY 28 INS	1
1200 0020 CC01	EXTRA.DIST.30	EXTRA COPY	
1200 0021	NOTE£359	SLAVE BOTTOM L PORT TO	
1200 0022	NOTE£360	RANGE CYL COVER	
1200 0030	55523	FLEX HOSE ASSY 29 INS	1
1200 0030 CC01	EXTRA.DIST.30	EXTRA COPY	
1200 0031	NOTE£356	1 FDR SLAVE H. PORT TO CYL	
1200 0040	55518	FLEX HOSE ASSY 32IN 5/8OD	1
1200 0040 CC01	EXTRA.DIST.30	EXTRA COPY	
1200 0041	NOTE£375	REG SUPP TO SLAVE R PORT	

QTY	DESCRIPTION	UNIT	QTY
	140 J	O RING	1
4	1218 20496	RANGE BLADE ACTUATING PIN	1
	1220	21268 COMPRESSION SPRING	1
6	1225 X-8C-411	BOLT 1/4UNCX1.75 HEX HD	4
	1299	NOTE£005	
8	1300 A-1796	FILTER/REG ASSY-AIR	1
	1300 CC01	EXTRA.DIST.30	EXTRA COPY
10	1305 X-8C-411	BOLT 1/4UNCX2.25 HEX HD	2
	1310	X2013517	PIPE PLUG 1/8 PTF
	1315	12845	ELBOW 90 DEG
	1320	19779	HOSE - CLAMP
	1325	11665	CLAMP
	1330	65500	FLEX HOSE ASSY
	1330 CC01	EXTRA.DIST.30	EXTRA COPY
	1335	21732	HOSE - CLAMP TRIPLE
	1340	X-8L-601	BOLT 3/8UNCX0.75 HEX HD
	1399	NOTE£005	
	1400	17427	C/S FRONT SHIPPING COVER
	1405	X-8-809	BOLT 1/2UNCX1.50 HEX HD
	1410	X-3-805	1/2 SHAKEPROOF WASHER
	1499	NOTE£005	
	1500	9991	COVER - SHIFT BAR HOUSING
	1505	1642	GASKET
	1510	11066	STUD
	1515	X-1-603	NUT 3/8X24 CONICAL
	1520	X-1-601	LOCKNUT UFN 106/3/8'24UNF
	1525	F88938	SPACER
	1599	NOTE£005	
	1600	F96131	ROTOR - SPEEDOMETER
	1605	F96063	COPPER WASHER
	1610	2008161	SLOTTEX PLUG
	1615	F96189	GRIT SHIELD
	1620	F96254	X.SERRATION FLANGE
	1625	F96454	NUT-STAKED,OUTPUT
	1626	F96262	FACE SEAL,RECT. SECTION
	1630	F96248	PAINT-BLACK
	1631	NOTE£007	AS REQUIRED
	1632	F91184	ND 2 THINNERS
	1633	NOTE£007	AS REQUIRED
	1799	NOTE£005	
	1800	NOTE£006	PTS. TO BE SUPPLIED LOOSE
	1805	4300764	SHIFT DIAGRAM LABEL

This image shows a musical score manuscript, possibly a page from a book or binder. The score is written on multiple staves, with a prominent central fold. The notation is dense and appears to be a complex piece of music. On the right side of the page, there is a vertical column of circular punch holes, suggesting the manuscript is part of a binder or folder. The page number '2' is visible in the top right corner. The score is divided into sections, with some staves containing musical notation and others appearing to be blank or containing very faint notation. The overall appearance is that of a professional musical manuscript.