



Powering Business Worldwide

Illustrated Parts List

Y08050
February 2013

Contents

How To Use The Illustrated Parts List	3
FRONT BEARING COVER ASSY.	4
FRONT CASE ASSY.....	5
INPUT SHAFT ASSY.....	7
INTERMEDIATE CASE ASSY.....	8
LAYSHAFT ASSY.	9
LRC ASSY.....	10
MAINSHAFT ASSY.....	12
PLANET GEAR SPINDLE ASSY	14
RANGE ASSY.....	15
RANGE CONTROL ASSEMBLY	16
REAR CASE ASSY.	17
REVERSE IDLER ASSEMBLY	19
SELECTOR ASSY.	20

How To Use The Illustrated Parts List

The information contained in this document is subject to frequent updates. Therefore, for the latest information available, please visit the interactive Electronic Parts Catalog at <http://www.eaton.com/EatonCom/TruckEurope/TruckEurope/index.htm>

Model Designation or Nomenclature

- For information regarding Model Designation and Nomenclature, visit <http://www.eaton.com/EatonCom/TruckEurope/TruckEurope/index.htm>

Kits and Assemblies (K/A's)

- Kits and Assemblies contain groups of individual or assembled parts developed for optimal replacement or repair of a service problem.
- Kits and Assemblies are shown with applicable parts groupings in the parts listings.

Identifying Kits and Assemblies

A- Part numbers beginning with the letter 'A' are pre-assembled Production Assemblies

K- Part numbers beginning with the letter 'K' are kits that are not assembled

T - Part numbers beginning with the letter 'T' are kits that are not assembled

S- Part numbers beginning with the letter 'S' are pre-assembled Service Assemblies

- Note: Some Production Assemblies do not begin with a letter prefix (Midrange only).

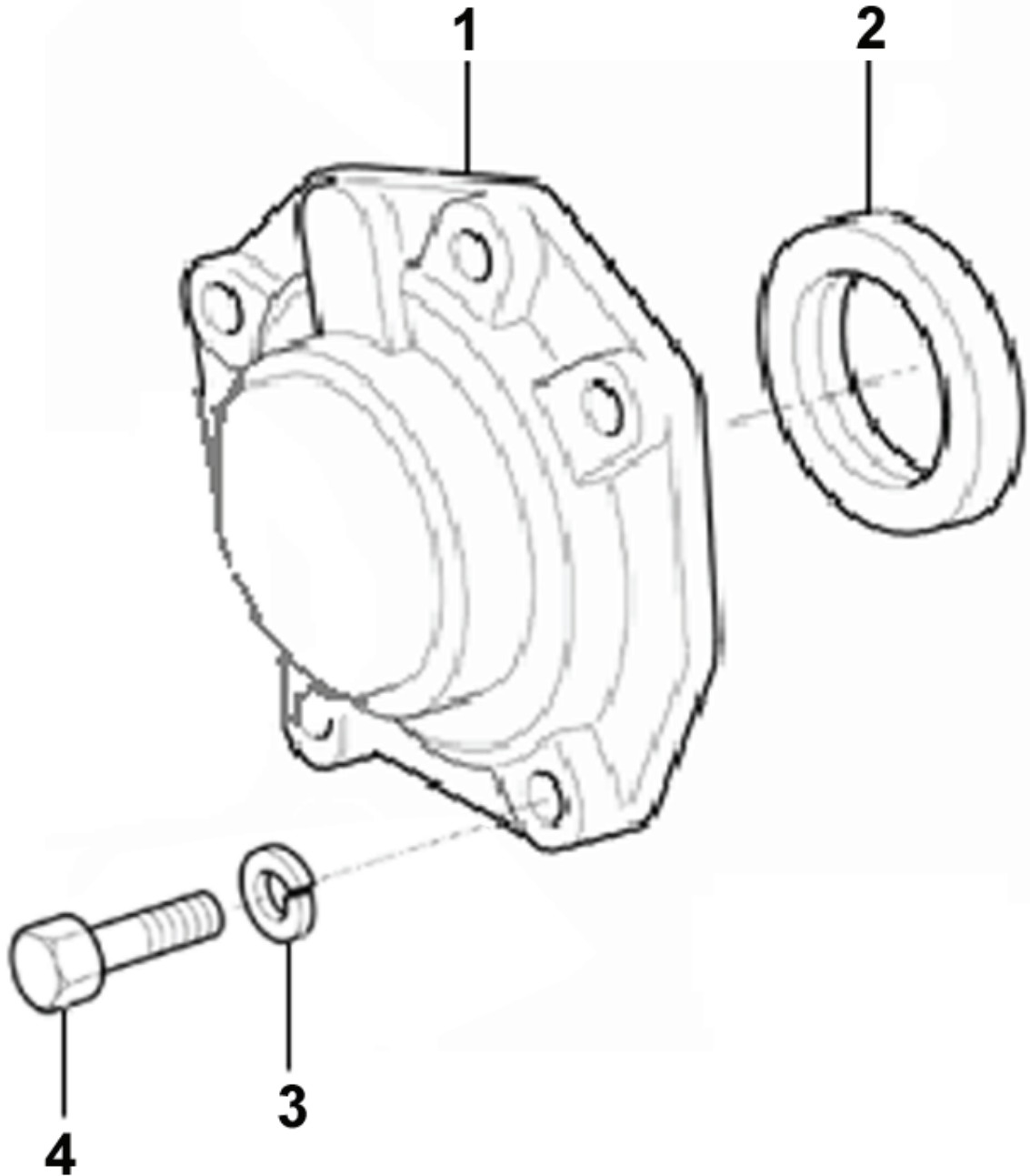
Illustrations

- Illustrations show parts in assembly groups.
- Item numbers on illustrations correspond with parts listings on pages adjacent to the illustration.
- Notes are included on illustrations where additional information is needed.

Parts Listing

Parts listings are defined by parts groupings and are broken down by service assemblies. Parts listings identify a part for servicing with the following categories

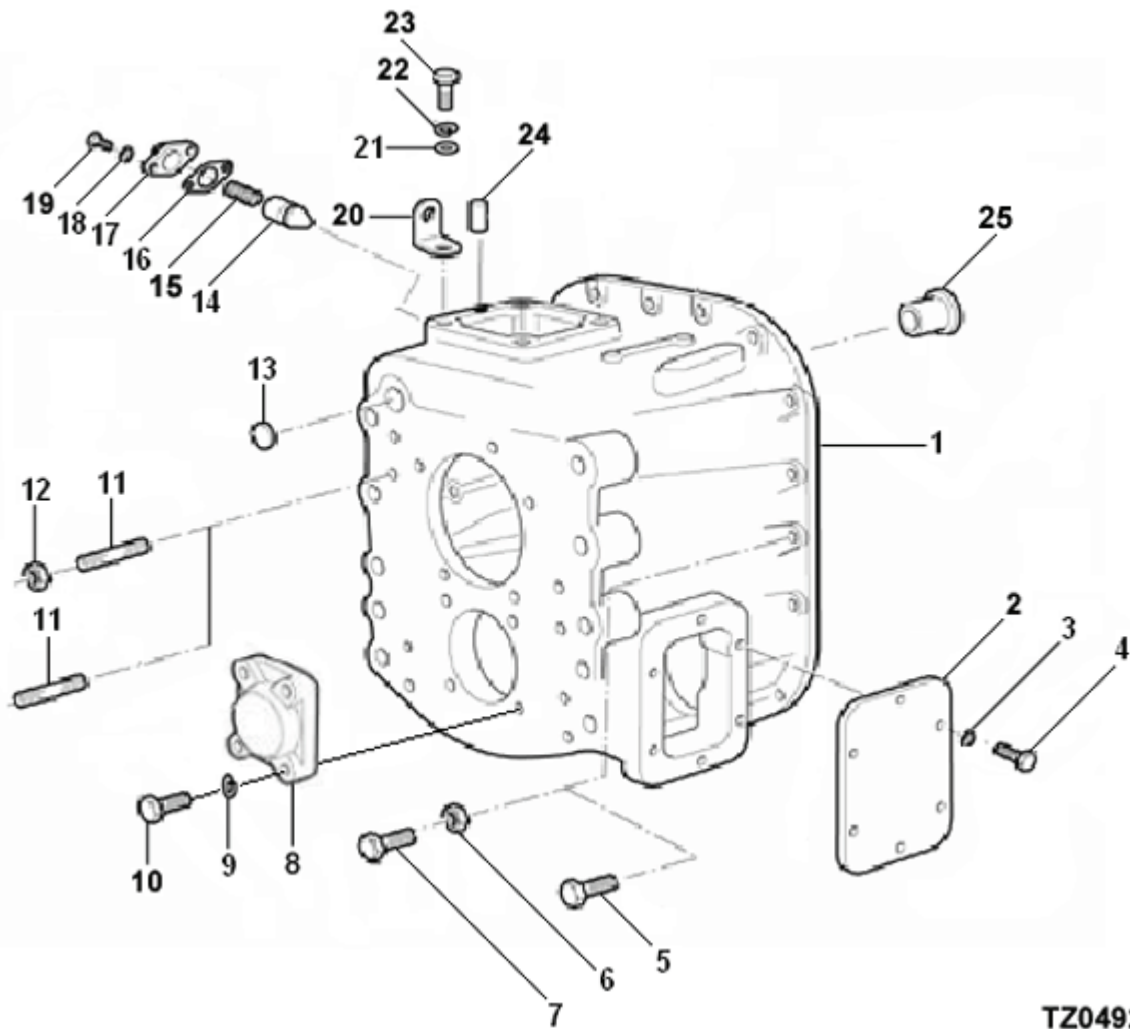
- **Item Number** - corresponding with numbers on illustrations for part identification.
- **Current Part** - identifies part as it is available for service.
- **Description** - specifies part name or description.
- **Replaced Part** - specifies part number of replaced part.
- **Quantity** - quantity required for assembly.
- **Notes** - defines unique characteristics or requirements.
- **Kits/Assy's Where Used** - indicates Kits or Assemblies that contain a particular part.



TZ0836

FRONT BEARING COVER ASSY.

Item	Current Part	Description	Replaced Part	Qty.	Notes	Kits/Assys Where Needed
0	U8875592	FRONT BEARING COVER ASSY.		1		
1	8875593	FRONT BEARING COVER		1		
2	X8870760	OIL SEAL		1		
3	DMX-3-1001	WASHER SPRING		5	M10	
4	DMX-8-1002	SCREW		5	M10 X 25 HEX HD	

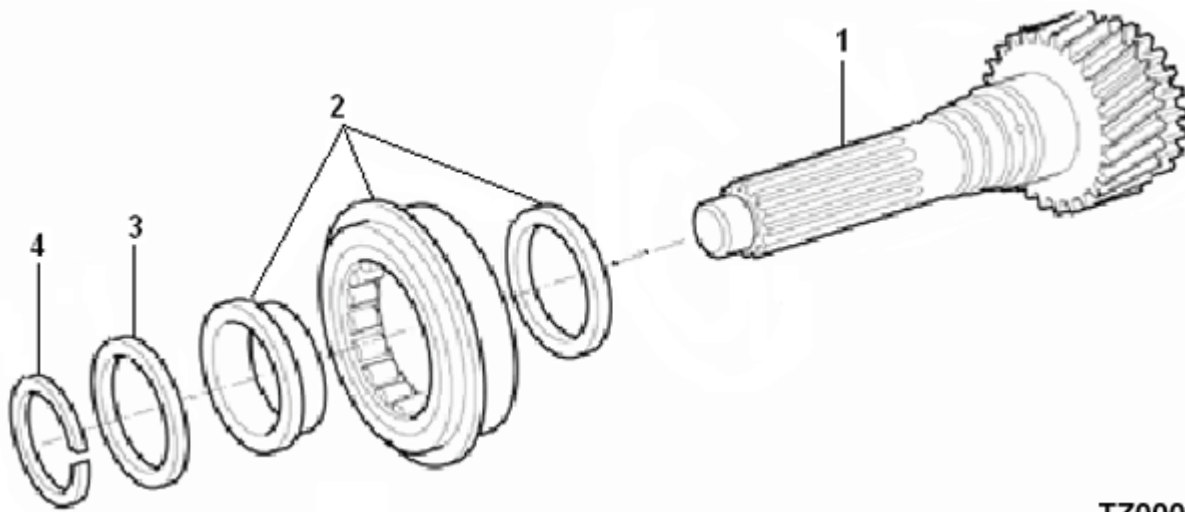


TZ0492

FRONT CASE ASSY.

Item	Current Part	Description	Replaced Part	Qty.	Notes	Kits/Assys Where Needed
0	U8875958	FRONT CASE ASSY.		1		
1	8875929	FRONT CASE		1		
2	2005144	PTO COVER		1		
3	DMX-3-1001	WASHER SPRING		6	M10	
4	DMX-8-1001	SCREW		6	M10 X 20 HEX HD	
5	MX-8-1079	BOLT		4	M10X40	
6	MX-8-1080	SCREW		14	M10-58 FLG HD	
7	MX-9-1005	NUT		14	M10X1.5	
8	8880066	BEARING COVER LAYSHAFT		1		
9	DMX-3-1201	SPRING WASHER		4	M12	
10	DMX-8-1209	SCREW		4	M12 X 25 HEX HD	
11	8873931	STUD		10	M12X75 LONG	
11	8874699	STUD		2	M12X65	
12	MX-9-1204	NUT		10	M12	
13	8870278	CUP PLUG		1		
14	8873654	PLUNGER-NEUTRAL		1		
15	8871098	SPRING COMPRESSION		1		
16	8870590	GASKET		1		
17	D8870259	DETENT COVER		1		
18	DMX-3-0801	WASHER SPRING		2	M8	
19	DMX-8-	SCREW		2	M8 X 14 HEX HD	

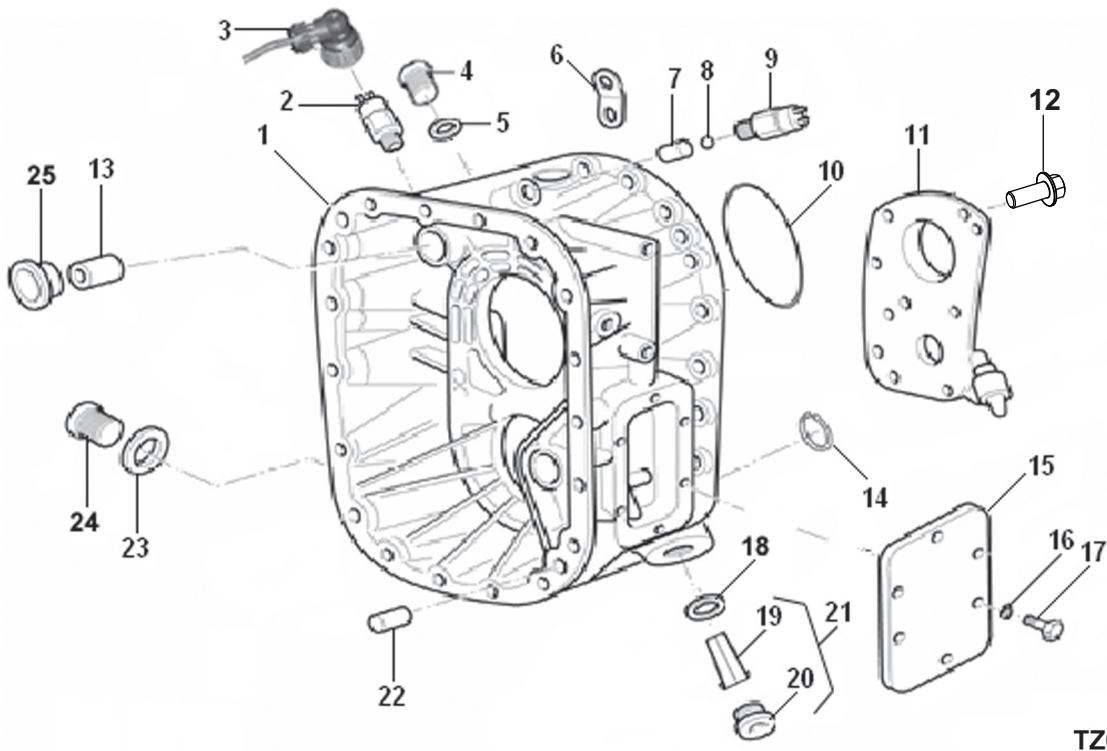
Item	Current Part	Description	Replaced Part	Qty.	Notes	Kits/Assys Where Needed
	0801					
20	D20815	LIFTING EYE		1		
21	DX11245	WASHER		4	M10	
22	DMX-3-1001	WASHER SPRING		4	M10	
23	DMX-8-1003	SCREW		4	M10 X 35 HEX HD	
24	X8870542	DOWEL		2	8,0 DIA X 16	
25	8882415	BUSH		1	FOR MAIN SELECTOR SHAFT	



TZ0003

INPUT SHAFT ASSY.

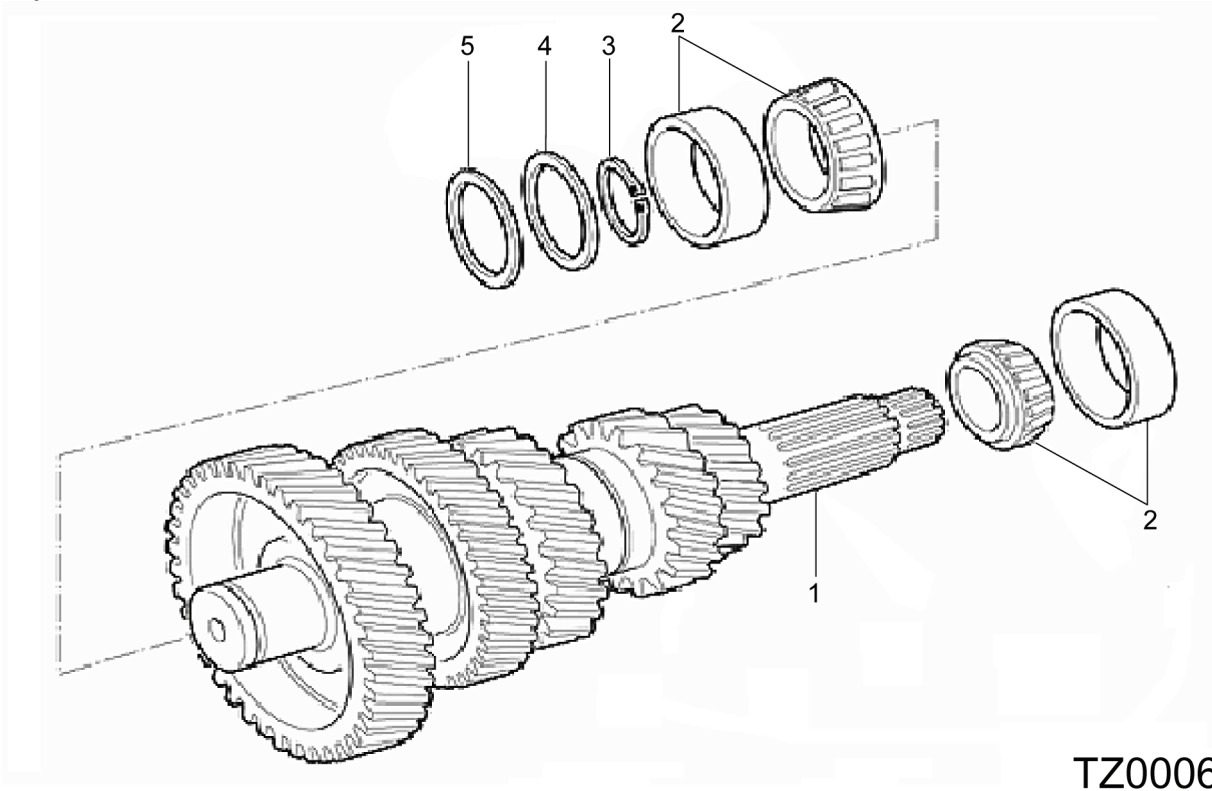
Item	Current Part	Description	Replaced Part	Qty.	Notes	Kits/Assys Where Needed
0	U8880146	INPUT SHAFT ASSEMBLY		1		
1	8877702	INPUT SHAFT		1		
2	X8872593	INPUT SHAFT BEARING		1		
3	8877692	SPACER - GRADED 3.10		1	PACK: U8877691	
3	8877693	SPACER - GRADED 3.15		1	PACK: U8877691	
3	8877694	SPACER - GRADED 3.20		1	PACK: U8877691	
3	8877695	SPACER - GRADED 3.25		1	PACK: U8877691	
3	8877696	SPACER - GRADED 3.30		1	PACK: U8877691	
3	8877697	SPACER - GRADED 3.35		1	PACK: U8877691	
3	8877698	SPACER - GRADED 3.40		1	PACK: U8877691	
3	8877699	SPACER - GRADED 3.45		1	PACK: U8877691	
3	8877700	SPACER - GRADED 3.50		1	PACK: U8877691	
3	U8877691	SPACER - GRADED PACK		1		
4	X8877706	CIRCLIP		1		



TZ0639

INTERMEDIATE CASE ASSY.

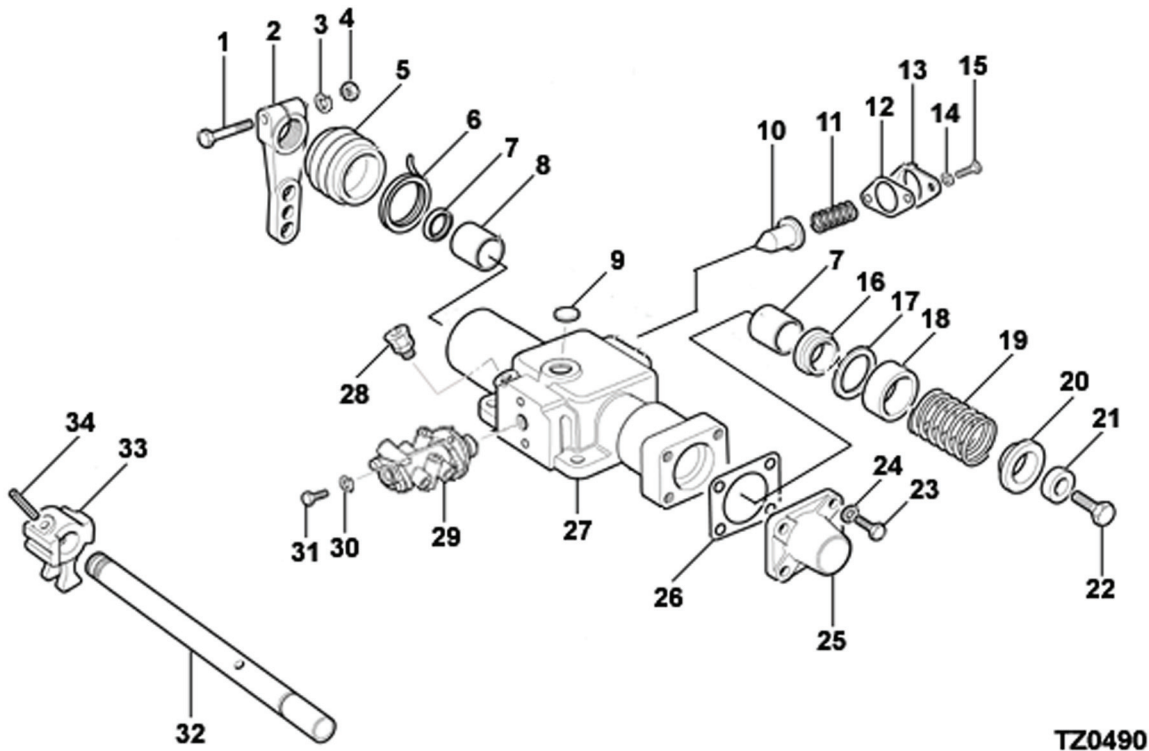
Item	Current Part	Description	Replaced Part	Qty.	Notes	Kits/Assys Where Needed
0	U8876645	INTERMEDIATE CASE ASSY		1		
1	8876644	INTERMEDIATE CASE		1		
2	8876416	REVERSE SWITCH		1		
3	U2009052	PLUG - FLYING LEAD		2		
4	GX8871502	PLUG		1	M16	
5	X8880470	WASHER		1		
6	GX8879211	LIFTING EYE		1		
7	8875267	PIN INTERLOCK		1		
8	X8870711	BALL		1	DIA.14	
9	8876416	REVERSE SWITCH		1		
10	X8881475	O-RING		1	(109,5X3,0)	
11	U8875469	OIL PUMP ASSY.		1		
12	GMX-8-1089	SCREW		8	M10X25 HEX FLG HD	
13	X8871377	BUSH		1		
14	X8881424	CIRCLIP		1		
15	2005144	PTO COVER		1		
16	DMX-3-1001	WASHER SPRING		6	M10	
17	DMX-8-1001	SCREW		6	M10 X 20 HEX HD	
18	X8880469	WASHER-OIL STRAINER / DRAIN		1		
19	8876351	STRAINER-OIL		1		
20	GX8876352	PLUG OIL STRAINER		1		
21	U8876353	OIL STRAINER ASSY.		1		
22	X8870543	DOWEL		2	16,0 DI X 30,5	
23	X8880519	WASHER-FILL/DRAIN FL		1		
24	DX8874942	OIL FILLER PLUG		1		
25	8882415	BUSH		1	FOR MAIN SELECTOR SHAFT	



TZ0006

LAYSHAFT ASSY.

Item	Current Part	Description	Replaced Part	Qty.	Notes	Kits/Assys Where Needed
1	U8880744	LAYSHAFT ASSY.		1		
2	X8875587	BRG. ASSY		2		
3	U8877534	CIRCLIP GRADED PACK		1		
3	X8870370	GR.C/CLIP 40 DIA. X 2.12 MM		1		
3	X8870371	GR.C/CLIP 40 DIA. X 2.07 MM		1		
3	X8870372	GR.C/CLIP 40 DIA X 2.02 MM		1		
3	X8871536	GR.C/CLIP 40 DIA. X 1.97 MM		1		
3	X8871537	GR.C/CLIP 40 DIA. X 1.92 MM		1		
3	X8871538	GR.C/CLIP 40 DIA. X 1.87 MM		1		
3	X8871539	GR.C/CLIP 40 DIA. X 1.82 MM		1		
3	X8871540	GR.C/CLIP 40 DIA. X 1.77 MM		1		
4	F88891	SHIM		1		
4	F88892	SHIM		1		
4	F88893	SHIM		1		
4	F88894	SHIM		1		
4	U8877535	SHIM PACK		1		
4	X8882272	SHIM		1		
5	8875879	SPACER		1		

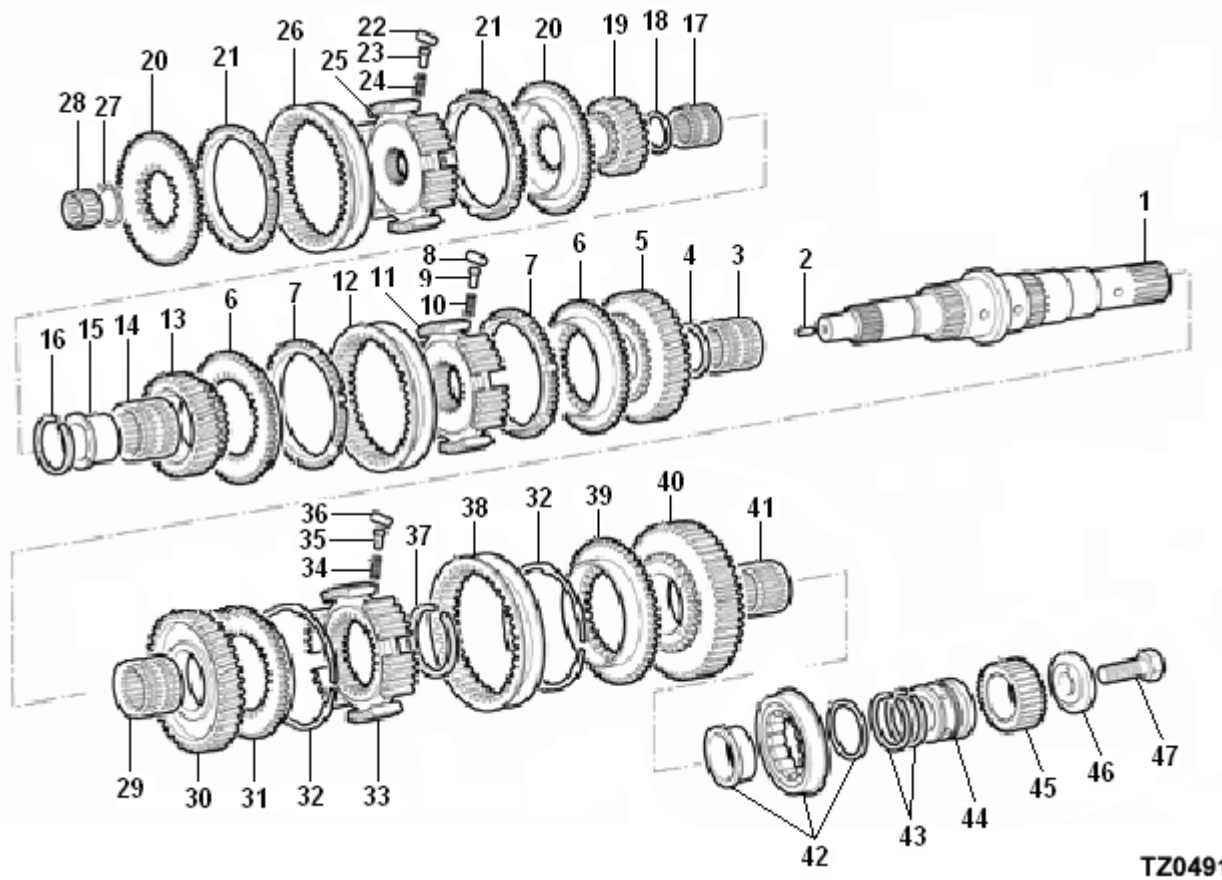


TZ0490

LRC ASSY.

Item	Current Part	Description	Replaced Part	Qty.	Notes	Kits/Assys Where Needed
0	U8877191	LRC ASSEMBLY		1		
1	DMX-8-1007	BOLT		1	M10 X 50 HEX HD	
2	D8876046	OUTER LEVER		1		
3	GMX-3-1001	SPRING WASHER		1		
4	GMX-9-1001	NUT		1		
5	14975	BOOT		1		
6	F96430	CABLE TIE		1		
7	X8881481	OIL SEAL		1		
8	X8871377	BUSH		2		
9	GX8871486	EXPANSION PLUG		1		
10	8875415	PLUNGER - DETENT		1		
11	8870587	DETENT SPRING		1		
12	8870590	GASKET		1		
13	GX8870259	DETENT COVER		1		
14	GMX-3-0801	WASHER SPRING		2	M8	
15	GMX-8-0801	SCREW		2	M8X14	
16	8871374	SPRING RETAINING CUP		1		
17	8871481	WASHER STOP		1		
18	8872636	SPACER		1		
19	8873645	SPRING COMPRESSION		1		
20	8872639	SPRING RETAINER BUSH		1		
21	8871478	WASHER PLAIN		1	M8	
22	GMX-8-0803	SCREW		1	M8X25	
23	GMX-8-0810	SCREW		4	CAP HEAD M8X30	
24	GMX-3-0801	WASHER SPRING		4	M8	
25	8876041	END COVER		1		
26	8873734	GASKET		1		
27	8872649	LRC HOUSING		1		
28	X2014210	BREATHER		1		

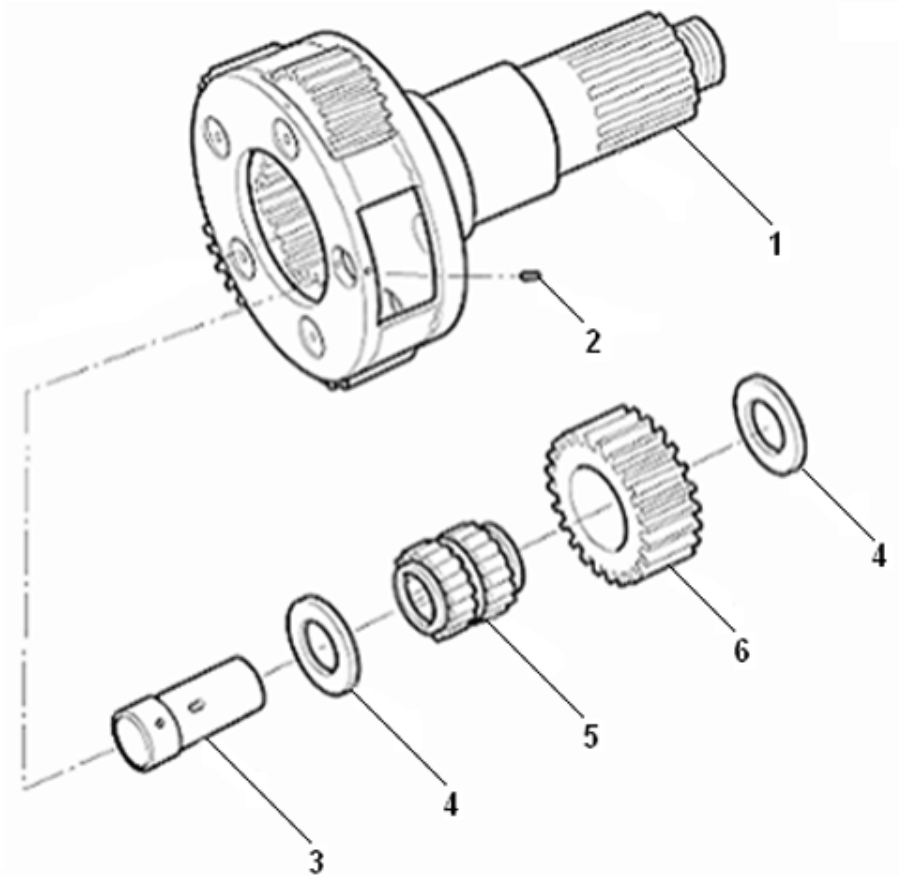
Item	Current Part	Description	Replaced Part	Qty.	Notes	Kits/Assys Where Needed
29	X8880055	4/2 MECH. ACTUATED VALVE		1		
30	GMX-3-0602	WASHER SPRING		2	M6	
31	GMX-8-0634	SOCKET HEAD SCREW		2		
32	8877184	SHIFT ROD		1		
33	8877657	INNER STRIKING FINGER		1		
34	X8871378	DOWEL		1	10,0 DIA X 44	



MAINSHAFT ASSY.

Item	Current Part	Description	Replaced Part	Qty.	Notes	Kits/Assys Where Needed
1	U8875888	MAINSHAFT SUB ASSY.		1		
2	X14851	DOWEL		1	5/16 DI X 1.50	
3	X8872233	NEEDLE ROLLER BRG. ASSY		1		
4	8872589	GEAR SPACER 1ST		1		
5	8876948	GEAR MAINSHAFT 1ST	8876441	1		
6	8877321	SYNCHRO FLANGE 1/2/3/4		2		
7	8877441	SYNCHRO RING		2		
8	X8870356	ROLLER		3		
9	8870352	PLUNGER		3		
10	8870444	SPRING COMPRESSION		3		
11	8875571	HUB-FIXED, 1ST/2ND		1		
12	8880460	SLIDING SLEEVE		1		
13	8876439	GEAR MAINSHAFT 2ND		1		
14	X8872233	NEEDLE ROLLER BRG. ASSY		1		
15	8875196	SLEEVE MAINSHAFT BEARING		1		
16	X8870536	GR.CIRCLIP 46 DIA. X 2.00 MM		1	PACK: U8882558	
17	X8870180	NEEDLE BEARING		1		
18	8872588	GEAR SPACER 4TH		1		
19	8880740	GEAR MAINSHAFT 3RD		1		
20	8877321	SYNCHRO FLANGE 1/2/3/4		2		
21	8877441	SYNCHRO RING		2		
22	X8870356	ROLLER		3		
23	8870352	PLUNGER		3		
24	8870444	SPRING COMPRESSION		3		
25	8875554	FIXED HUB 3RD/4TH		1		
26	8880460	SLIDING SLEEVE		1		
27	U8877531	GRADED CIRCLIP PACK		1		
27	X8870370	GR.C/CLIP 40 DIA. X 2.12 MM		1		

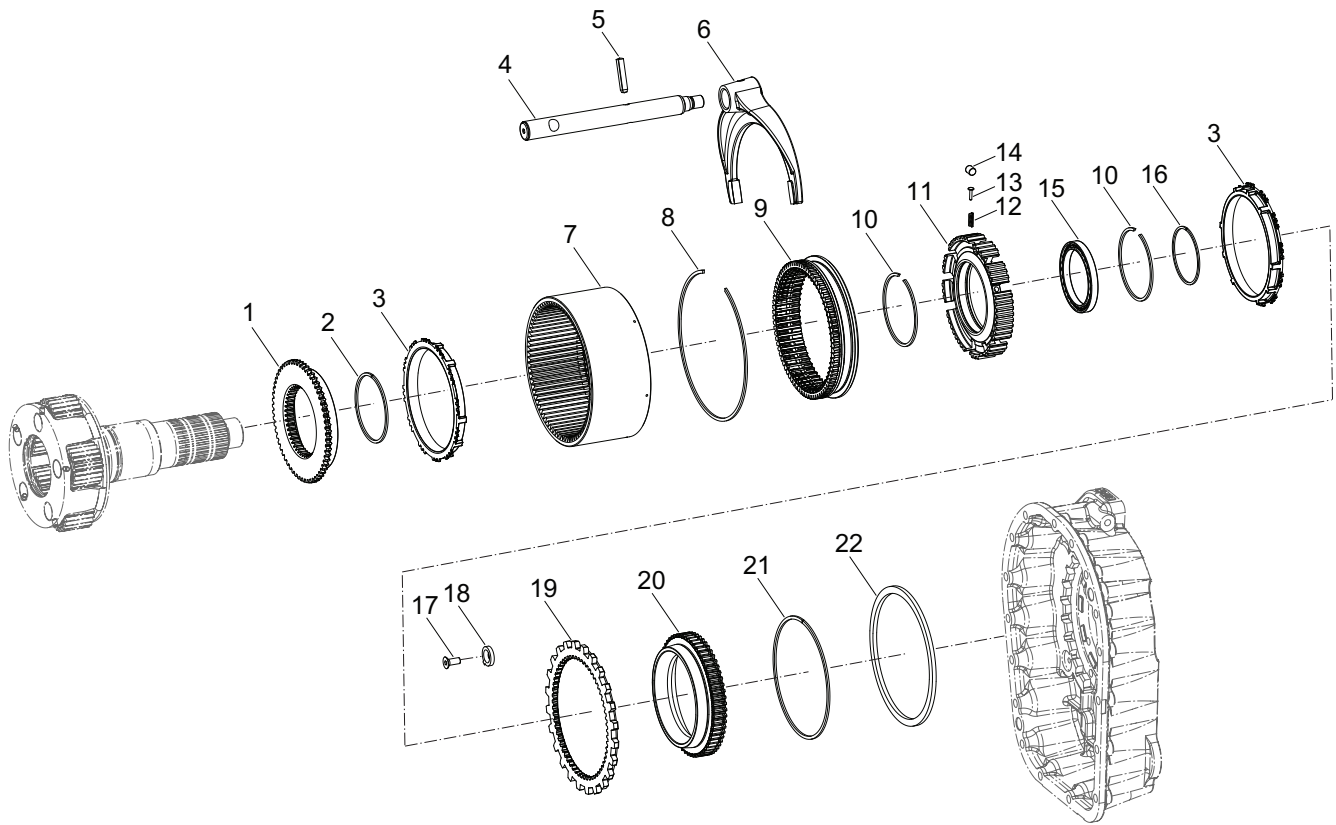
Item	Current Part	Description	Replaced Part	Qty.	Notes	Kits/Assys Where Needed
27	X8870371	GR.C/CLIP 40 DIA. X 2.07 MM		1		
27	X8870372	GR.C/CLIP 40 DIA X 2.02 MM		1		
28	X8870305	NEEDLE BRG.ROLLER ASSY		1		
29	X8872233	NEEDLE ROLLER BRG. ASSY		1		
30	8876477	GEAR MAINSHAFT CRAWLER		1		
31	8880059	SYNCHRO FLANGE CRAWLER		1		
32	X8873994	CIRCLIP SYNCHRO. ASSY.		2		
33	8875604	FIXED HUB REVERSE/CRAWLER		1		
34	8870444	SPRING COMPRESSION		3		
35	8870352	PLUNGER		3		
36	X8870356	ROLLER		3		
37	U8877532	GRADED CIRCLIP PACK		1		
37	X8870378	CIRCLIP-GR.DIA.60 X 2.10 MM		1		
37	X8870379	CIRCLIP-GR.DIA.60 X 2.05 MM		1		
37	X8870380	CIRCLIP-GR.DIA.60 X 2.00 MM		1		
38	8880461	SLIDING SLEEVE		1		
39	8870415	SYNCHRO FLANGE REVERSE		1		
40	8876478	GEAR MAINSHAFT REVERSE		1		
41	X8870178	NEEDLE ROLLER BRG. ASSY		1		
42	X8877164	BEARING REAR MAINSHAFT		1		
43	X8875532	SEALING RING		2		
44	8874921	OIL MUFF		1		
45	8875585	SUN GEAR		1		
46	8880594	RETAINER		1		
47	X8870699	SCREW		1	M16X45 HEX HD	



TZ0008

PLANET GEAR SPINDLE ASSY

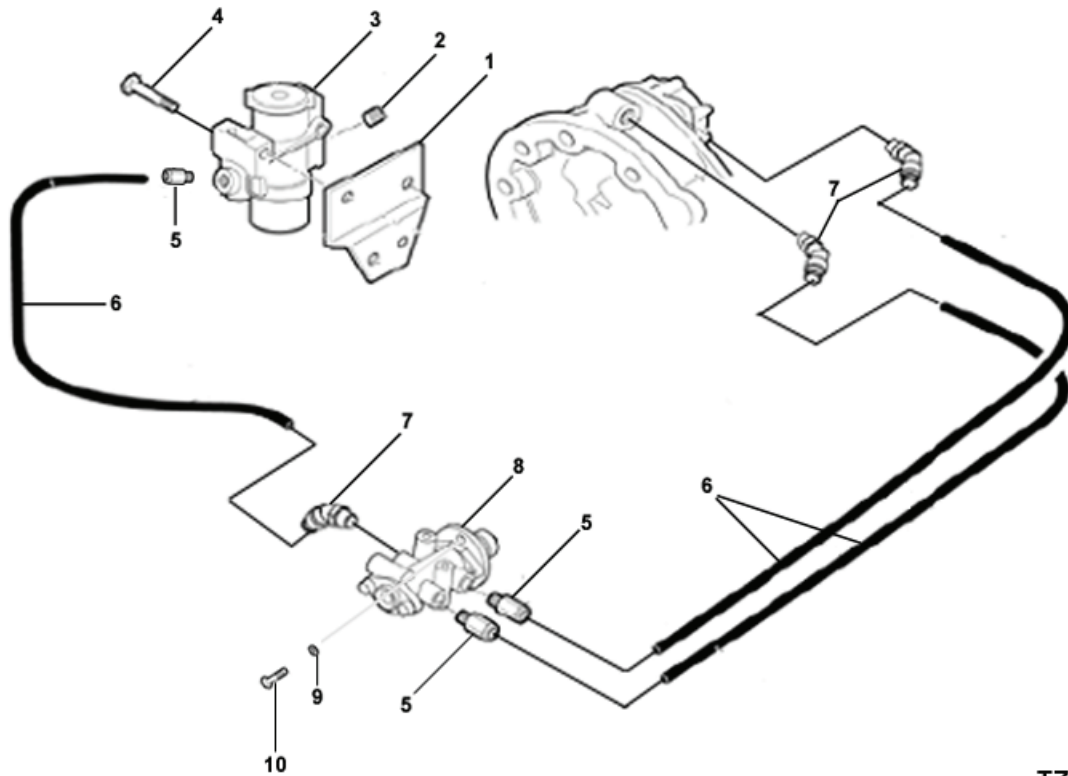
Item	Current Part	Description	Replaced Part	Qty.	Notes	Kits/Assys Where Needed
0	U8876669	PLANET GEAR SPINDLE ASSY		1	COMPRISES ITEMS 1-6	
1	U8882490	OUTPUT SHAFT ASSY.		1		
2	MX-11-0601	SCREW		5	M6 X 10 SKT HD SET	
3	8872682	SPINDLE-PLANET GEAR		5		
4	8876893	WASHER		10		
5	U8875235	NEEDLE ROLLER BRG. ASSY.		5		
6	8875586	GEAR PLANET		5		



PU0146

RANGE ASSY.

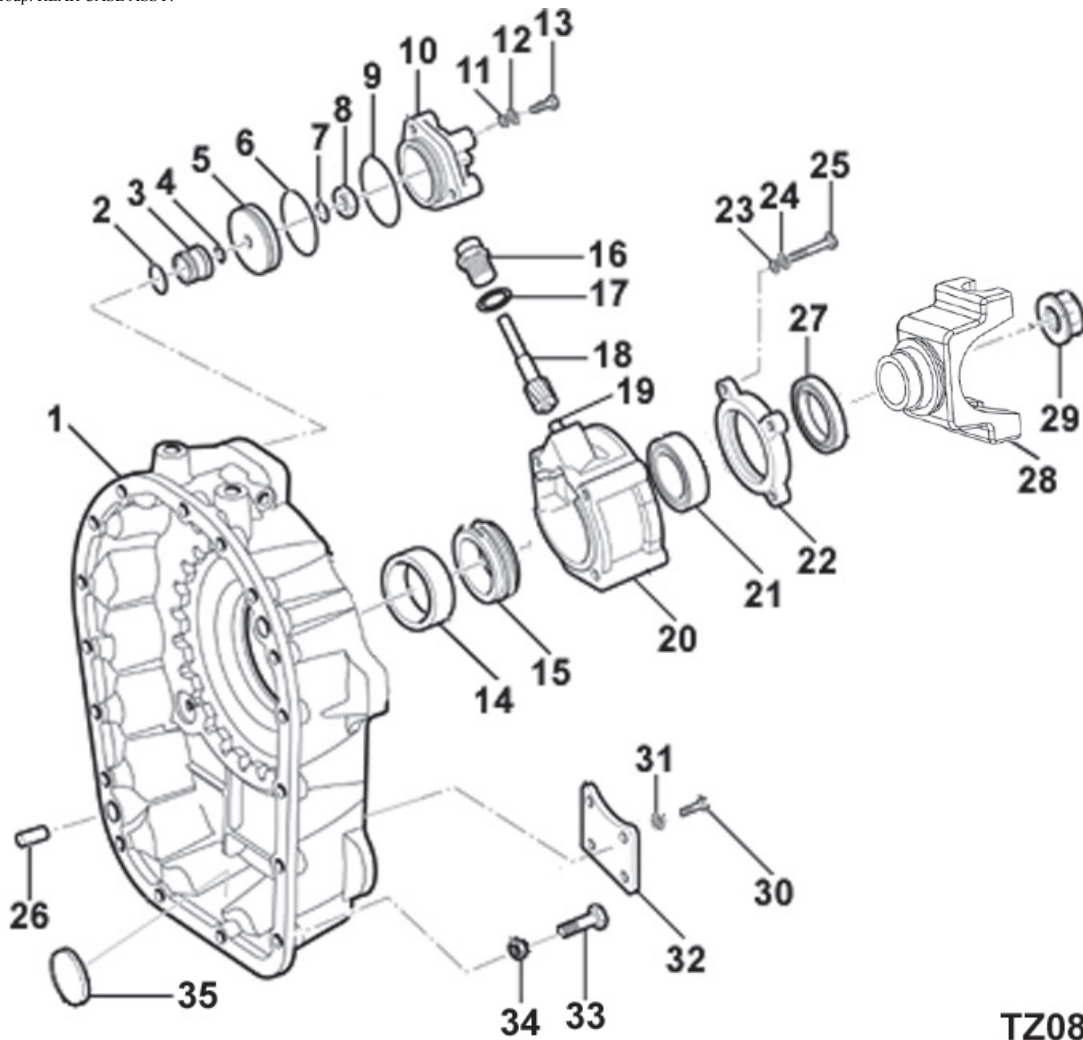
Item	Current Part	Description	Replaced Part	Qty.	Notes	Kits/Assys Where Needed
1	8877323	SYNCHRO FLANGE		1		
2	X8870342	CIRCLIP		1		
3	8877442	SYNCHRO RING - RANGE		2		
4	8872626	HI-LO SHIFT ROD		1		
5	X8870726	DOWEL		1	8,0 DIA X 40	
6	8872737	HIGH/LOW SHIFT FORK		1		
7	8872680	ANNULUS		1		
8	X8875296	CIRCLIP		1		
9	8873041	SLIDING SLEEVE		1		
10	X8870341	CIRCLIP		1		
11	8875881	FIXED HUB		1		
12	8870444	SPRING COMPRESSION		9		
13	8870352	PLUNGER		9		
14	X8870355	ROLLER		9		
15	X8870844	BEARING		1		
16	X8870344	CIRCLIP		1		
17	MX-8-0806	SCREW CTSK HD		3	M6X20	
18	8870848	RETAINER		3		
19	8875646	REACTION PLATE		1		
20	8877322	SYNCHRO FLANGE		1		
21	X8873993	CIRCLIP		1		
22	8870808	SPACER		1		



TZ0665

RANGE CONTROL ASSEMBLY

Item	Current Part	Description	Replaced Part	Qty.	Notes	Kits/Assys Where Needed
0	U8875987	RANGE CONTROL ASSY.		1		
1	8880659	MOUNTING BRACKET		1		
2	GX2013517	1/8 PIPE PLUG SPECIAL		1		
3	X8880109	FILTER REGULATOR		1		
4	GX8880151	SCREW SPIRAL		2	M6X16	
5	X8881538	STRAIGHT ADAPTOR(BSP-TUBE 6MM)		3		
6	X8881545	NYLON TUBE 6 MM		3		
7	X8881544	SWIVEL ELBOW ADAPTOR 45 DEG		4		
8	X8880055	4/2 MECH. ACTUATED VALVE		1		
9	GMX-3-0602	WASHER SPRING		2	M6	
10	GMX-8-0634	SOCKET HEAD SCREW		2		

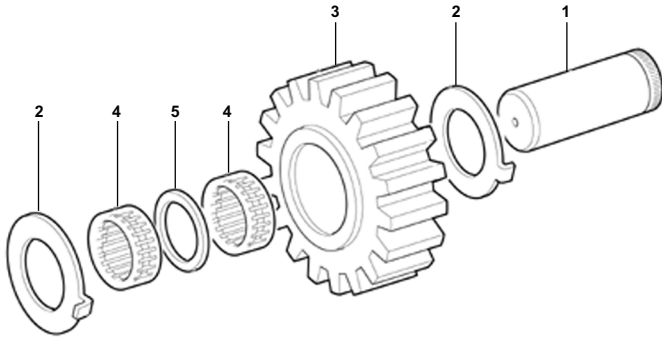


TZ0837

REAR CASE ASSY.

Item	Current Part	Description	Replaced Part	Qty.	Notes	Kits/Assys Where Needed
0	U8880046	REAR CASE ASSY.		1		
1	8874367	REAR CASING		1		
2	X8875292	O-RING		1		
3	8875293	BUSH		1		
4	X8871258	O-RING		1	DIA.24,5	
5	8875179	PISTON RANGE CYLINDER		1		
6	14344	PISTON O RING		1		
7	14345	PISTON O RING		1		
8	MX-9-1602	NUT		1	M16	
9	X8873008	O-RING		1		
10	8875430	CYLINDER-RANGE		1		
11	DX11245	WASHER		3	M10	
12	DMX-3-1001	WASHER SPRING		3	M10	
13	DMX-8-1067	BOLT		3	M10X60 HEX HD	
14	8876319	SPACER TACHO		1		
15	8876083	GEAR SPEEDO DRIVE 9T		1		
16	U33009	ADAPTOR BUSH/OIL SEAL ASSY		1		
17	X8880471	WASHER		1		
18	8870588	SPEEDO PINION		1		
19	7992	BUSH		1		
20	8871991	SPEEDO HOUSING		1		
21	X8872721	BEARING		1		

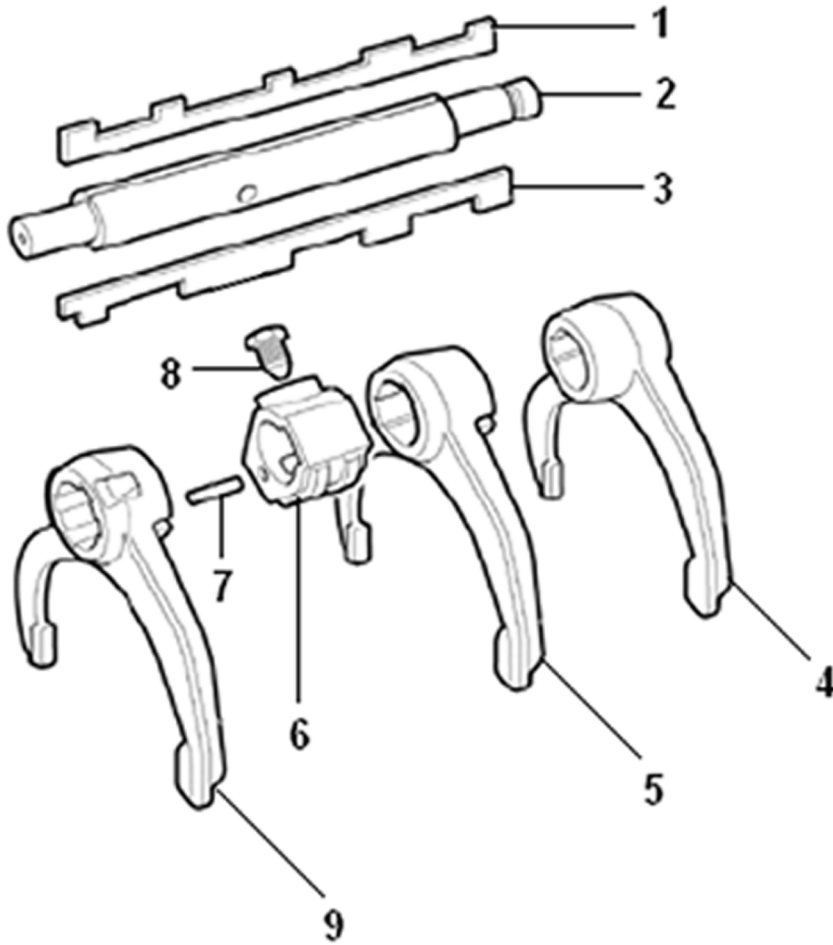
Item	Current Part	Description	Replaced Part	Qty.	Notes	Kits/Assys Where Needed
22	8871992	REAR COVER		1		
23	DX11245	WASHER		4	M10	
24	DMX-3-1001	WASHER SPRING		4	M10	
25	DMX-8-1012	BOLT		4	M10 X 100 HEX HD	
26	X8870543	DOWEL		2	16,0 DI X 30,5	
27	X8872722	OIL SEAL		1		
28	8876459	YOKE END		1		
29	X8870553	NYLOC NUT		1	M39	
30	DMX-8-1209	SCREW		4	M12 X 25 HEX HD	
31	DMX-3-1201	SPRING WASHER		4	M12	
32	8873917	LAYSHAFT COVER REAR		1		
33	MX-8-1080	SCREW		17	M10-58 FLG HD	
34	MX-9-1005	NUT		17	M10X1.5	
35	14373	DISC MAGNET		1		



TZ0007

REVERSE IDLER ASSEMBLY

Item	Current Part	Description	Replaced Part	Qty.	Notes	Kits/Assys Where Needed
1	8880069	REVERSE IDLER SHAFT		1		
2	8870343	THRUST WASHER		2		
3	8876457	REVERSE IDLER GEAR		1		
4	X8872478	NEEDLE ROLLER BRG		2		
5	8872479	SPACER		1		



PU0009

SELECTOR ASSY.

Item	Current Part	Description	Replaced Part	Qty.	Notes	Kits/Assys Where Needed
0	U8872772	SELECTOR ASSY.		1		
1	8872731	SELECTOR KEY		1		
2	8872734	SELECTOR SHAFT		1		
3	8872732	INTERLOCK KEY		1		
4	8872006	FORK CRAWLER/REVERSE		1		
5	8872007	FORK 1ST/2ND		1		
6	8872069	SELECTOR BLOCK		1		
7	X8870277	DOWEL		1		
8	8873691	SCREW		1	M10X23 HEX HD	
9	8872634	FORK 3RD/4TH		1		

Copyright Eaton Corporation, 2009.
Eaton hereby grants their customers,
vendors, or distributors permission to
freely copy, reproduce and/or distribute
this document in printed format. It may
be copied only in its entirety without
any changes or modifications. THIS
INFORMATION IS NOT INTENDED FOR
SALE OR RESALE, AND THIS NOTICE
MUST REMAIN ON ALL COPIES.

