



Powering Business Worldwide

Illustrated Parts List

Y05131
April 2010

Contents

| | |
|---|----|
| How To Use The Illustrated Parts List | 3 |
| BRACKET ASSY. | 4 |
| FRONT BEARING COVER ASSY. | 5 |
| FRONT CASE ASSY..... | 6 |
| INPUT SHAFT ASSY..... | 8 |
| LAYSHAFT ASSY. | 9 |
| LRC ASSEMBLY | 10 |
| MAINSHAFT ASSY..... | 12 |
| REAR CASE ASSY. | 14 |
| REVERSE IDLER SHAFT..... | 15 |
| SELECTOR ASSY. | 16 |
| SPEEDO HOUSING..... | 17 |

How To Use The Illustrated Parts List

The information contained in this document is subject to frequent updates. Therefore, for the latest information available, please visit the interactive Electronic Parts Catalog at <http://www.eaton.com/EatonCom/TruckEurope/TruckEurope/index.htm>

Model Designation or Nomenclature

- For information regarding Model Designation and Nomenclature, visit <http://www.eaton.com/EatonCom/TruckEurope/TruckEurope/index.htm>

Kits and Assemblies (K/A's)

- Kits and Assemblies contain groups of individual or assembled parts developed for optimal replacement or repair of a service problem.
- Kits and Assemblies are shown with applicable parts groupings in the parts listings.

Identifying Kits and Assemblies

A- Part numbers beginning with the letter 'A' are pre-assembled Production Assemblies

K- Part numbers beginning with the letter 'K' are kits that are not assembled

T - Part numbers beginning with the letter 'T' are kits that are not assembled

S- Part numbers beginning with the letter 'S' are pre-assembled Service Assemblies

- Note: Some Production Assemblies do not begin with a letter prefix (Midrange only).

Illustrations

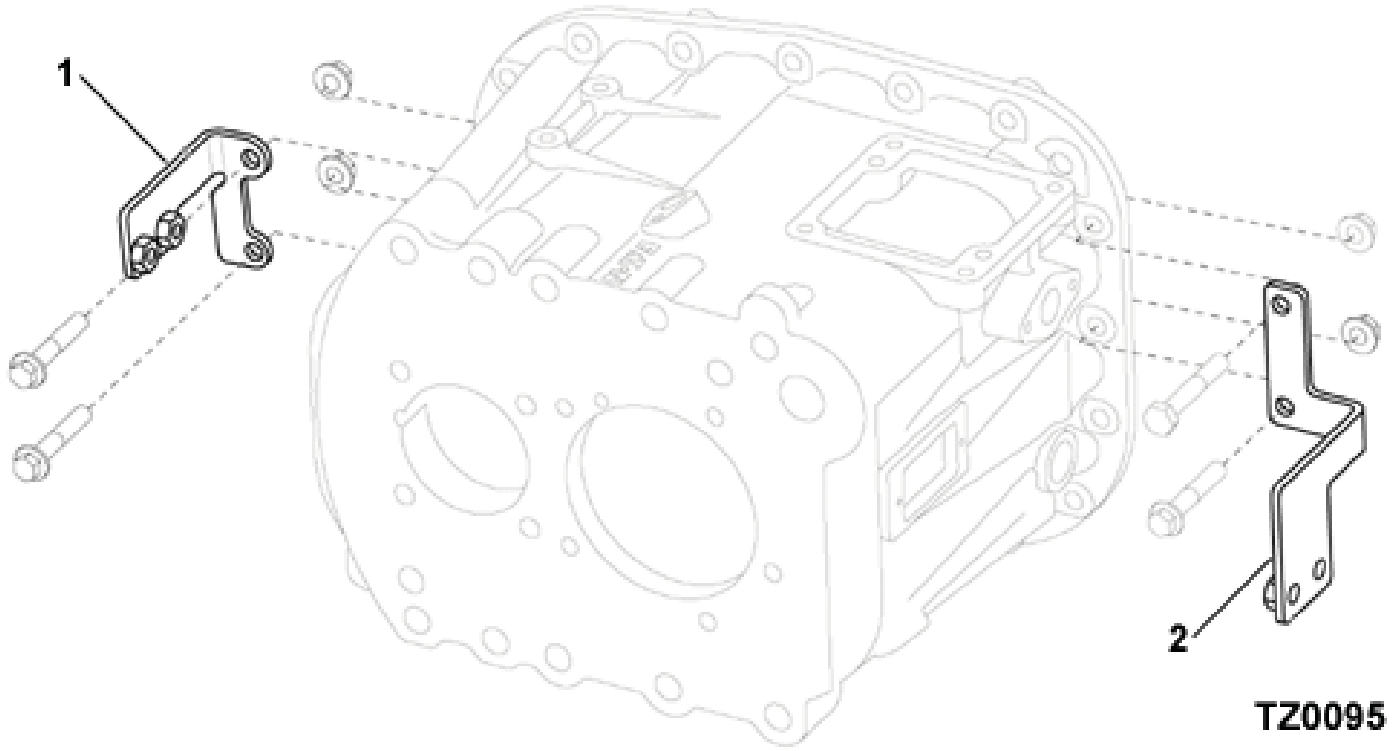
- Illustrations show parts in assembly groups.
- Item numbers on illustrations correspond with parts listings on pages adjacent to the illustration.
- Notes are included on illustrations where additional information is needed.

Parts Listing

Parts listings are defined by parts groupings and are broken down by service assemblies. Parts listings identify a part for servicing with the following categories

- **Item Number** - corresponding with numbers on illustrations for part identification.
- **Current Part** - identifies part as it is available for service.
- **Description** - specifies part name or description.
- **Replaced Part** - specifies part number of replaced part.
- **Quantity** - quantity required for assembly.
- **Notes** - defines unique characteristics or requirements.
- **Kits/Assy's Where Used** - indicates Kits or Assemblies that contain a particular part.

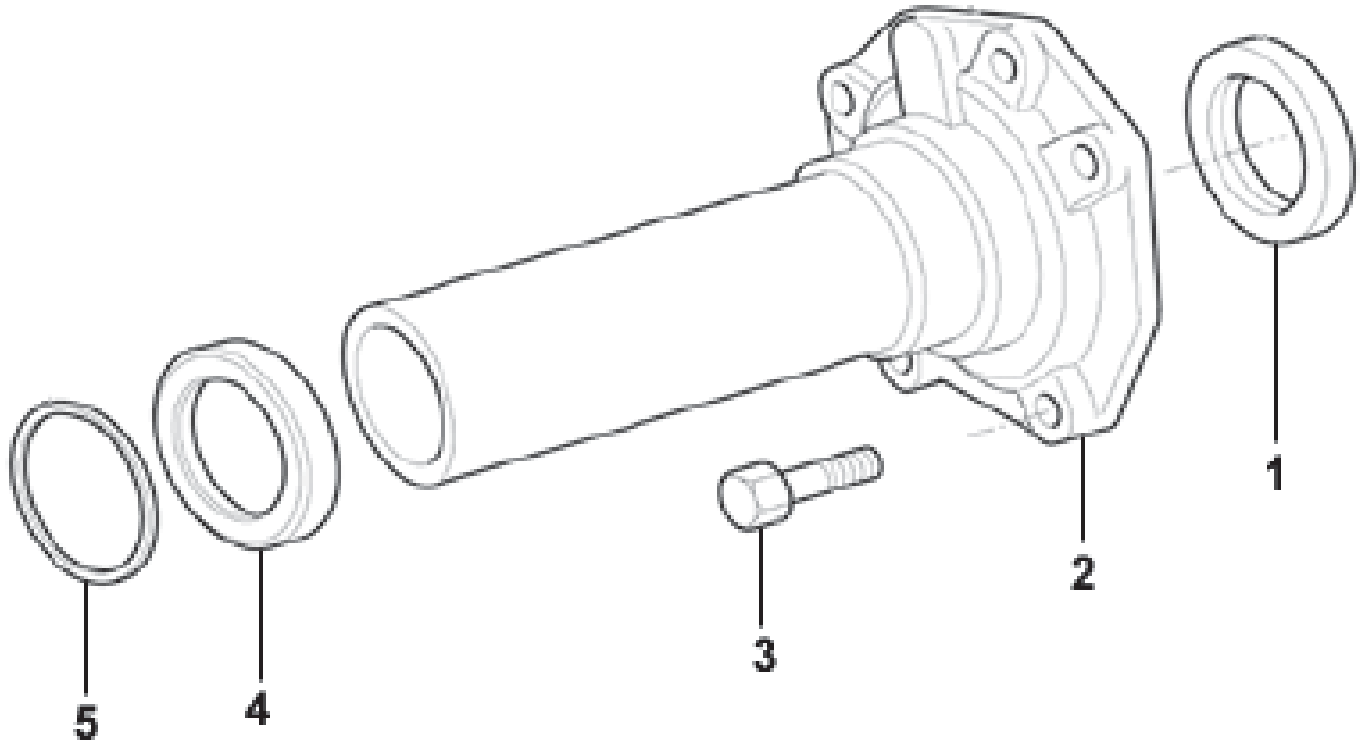
Group: BRACKET ASSY.



TZ0095

BRACKET ASSY.

| Item | Current Part | Description | Replaced Part | Qty. | Notes | Kits/Assys Where Needed |
|------|--------------|---------------------------------|---------------|------|-------|-------------------------|
| 1 | U8877344 | BRACKET D ASSY ENCAPSULATION | | 1 | | |
| 2 | U8877345 | BRACKET E ASSY ENCAPSULATION | | 1 | | |

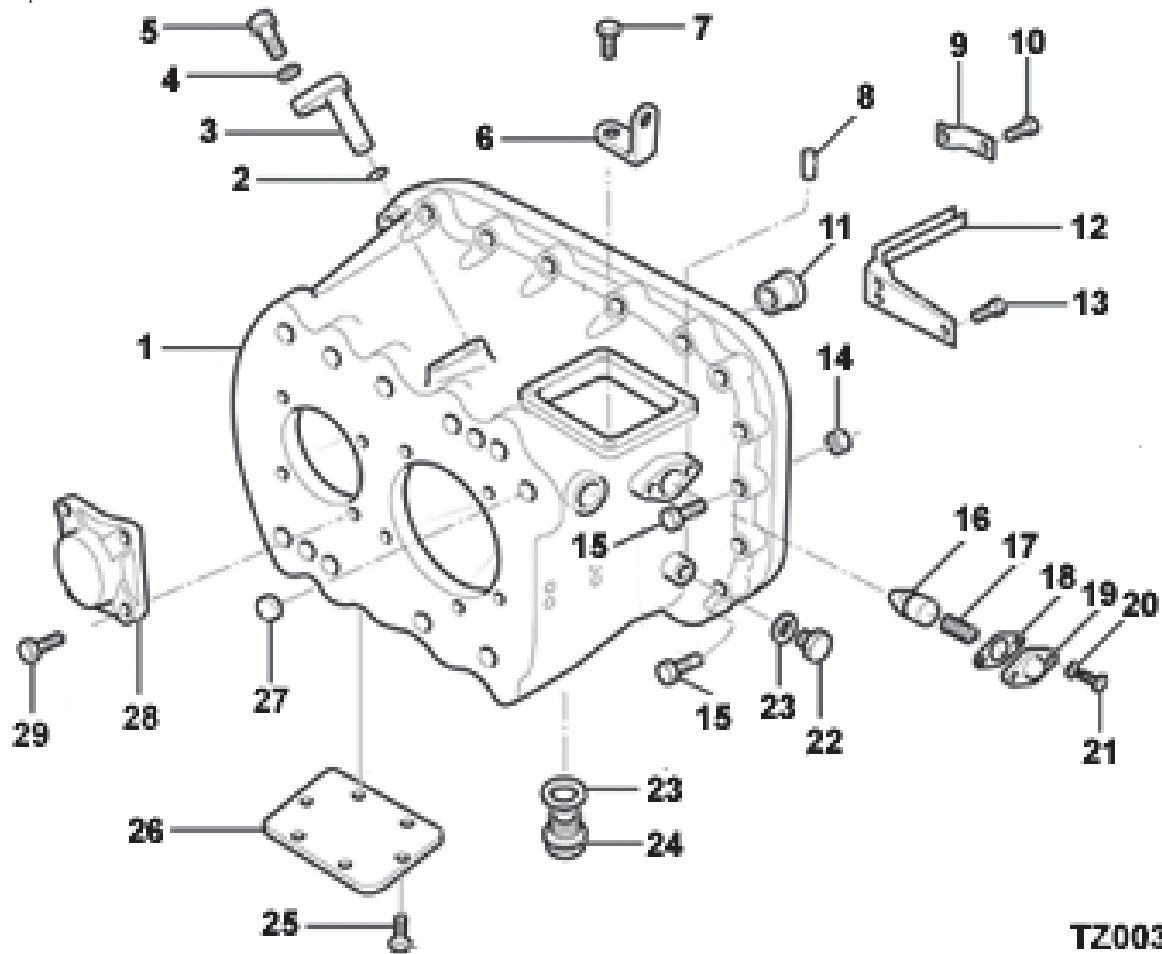


TZ0040

FRONT BEARING COVER ASSY.

| Item | Current Part | Description | Replaced Part | Qty. | Notes | Kits/Assys Where Needed |
|------|--------------|---------------------------|---------------|------|---------------------|-------------------------|
| 0 | U8877092 | FRONT BEARING COVER ASSY. | | 1 | | |
| 1 | X8870760 | OIL SEAL | | 1 | | |
| 2 | 8877091 | FRONT BEARING COVER ASSY. | | 1 | | |
| 3 | GMX-8-1089 | SCREW | | 5 | M10X25 HEX FLG HD | |
| 4 | 8877523 | O-RING HOUSING | | 1 | | |
| 5 | X8876391 | O-RING | | 1 | 135 I.D. X 2.5 SECT | |

Group: FRONT CASE ASSY

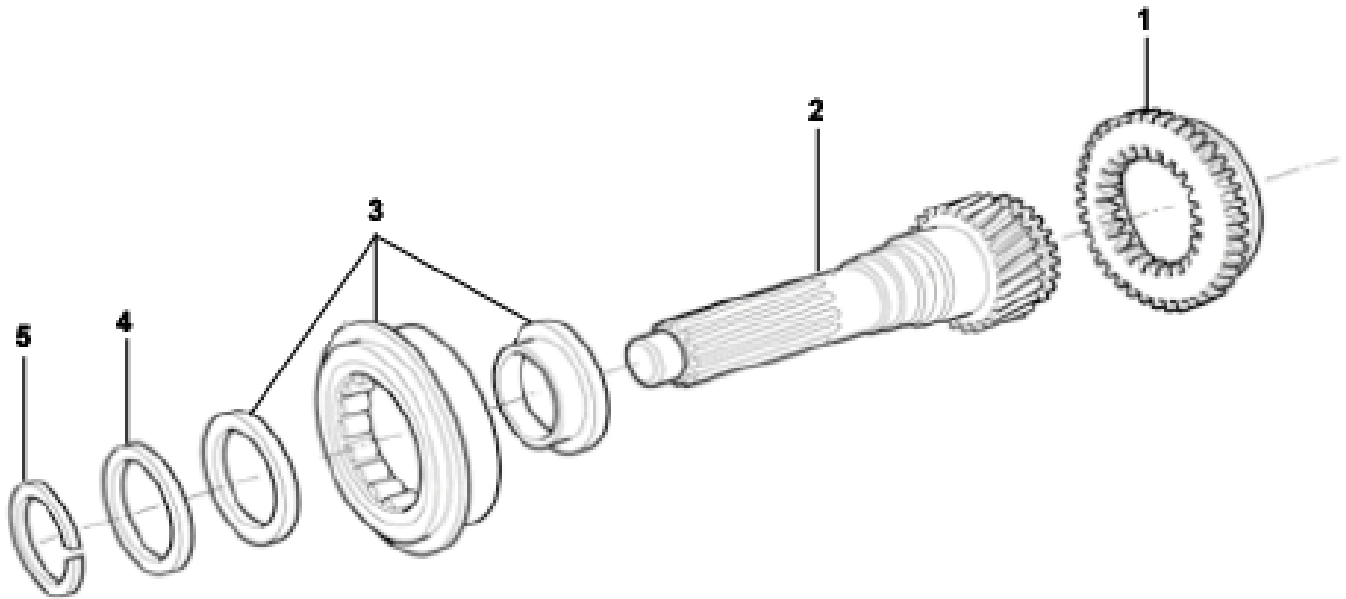


TZ0034

FRONT CASE ASSY

| Item | Current Part | Description | Replaced Part | Qty. | Notes | Kits/Assys Where Needed |
|------|--------------|------------------------|---------------|------|-------------------------|-------------------------|
| 0 | U8882047 | FRONT CASE ASSY. | | 1 | | |
| 1 | 8881832 | FRONT CASE (OVERDRIVE) | | 1 | | |
| 2 | X8877743 | O-RING | | 2 | 11.1 ID X 1.6 DIA | |
| 3 | GX8872917 | ROTATION PIN O/D FORK | | 2 | | |
| 4 | GMX-3-0801 | WASHER SPRING | | 2 | M8 | |
| 5 | GMX-8-0801 | SCREW | | 2 | M8X14 | |
| 6 | GX20815 | LIFTING EYE | | 1 | | |
| 7 | GMX-8-1091 | SCREW | | 4 | M10X30 HEX FLG HD | |
| 8 | X8870542 | DOWEL | | 2 | 8,0 DIA X 16 | |
| 9 | 8877430 | OIL TROUGH | | 1 | | |
| 10 | X8872604 | SCREW | | 2 | | |
| 11 | 8882415 | BUSH | | 1 | FOR MAIN SELECTOR SHAFT | |
| 12 | 8877431 | OIL TROUGH | | 1 | | |
| 13 | 8874473 | SCREW | | 3 | | |
| 14 | GMX-9-1005 | NUT | | 15 | M10X1.5 | |
| 15 | GMX-8-1041 | BOLT | | 1 | M10 X 60 | |
| 15 | GMX-8-1079 | BOLT | | 3 | M10X40 | |
| 15 | GMX-8-1080 | BOLT | | 14 | M10X58 | |
| 16 | 8873654 | PLUNGER-NEUTRAL | | 1 | | |
| 17 | 8870587 | DETENT SPRING | | 1 | | |
| 18 | 8870590 | GASKET | | 1 | | |

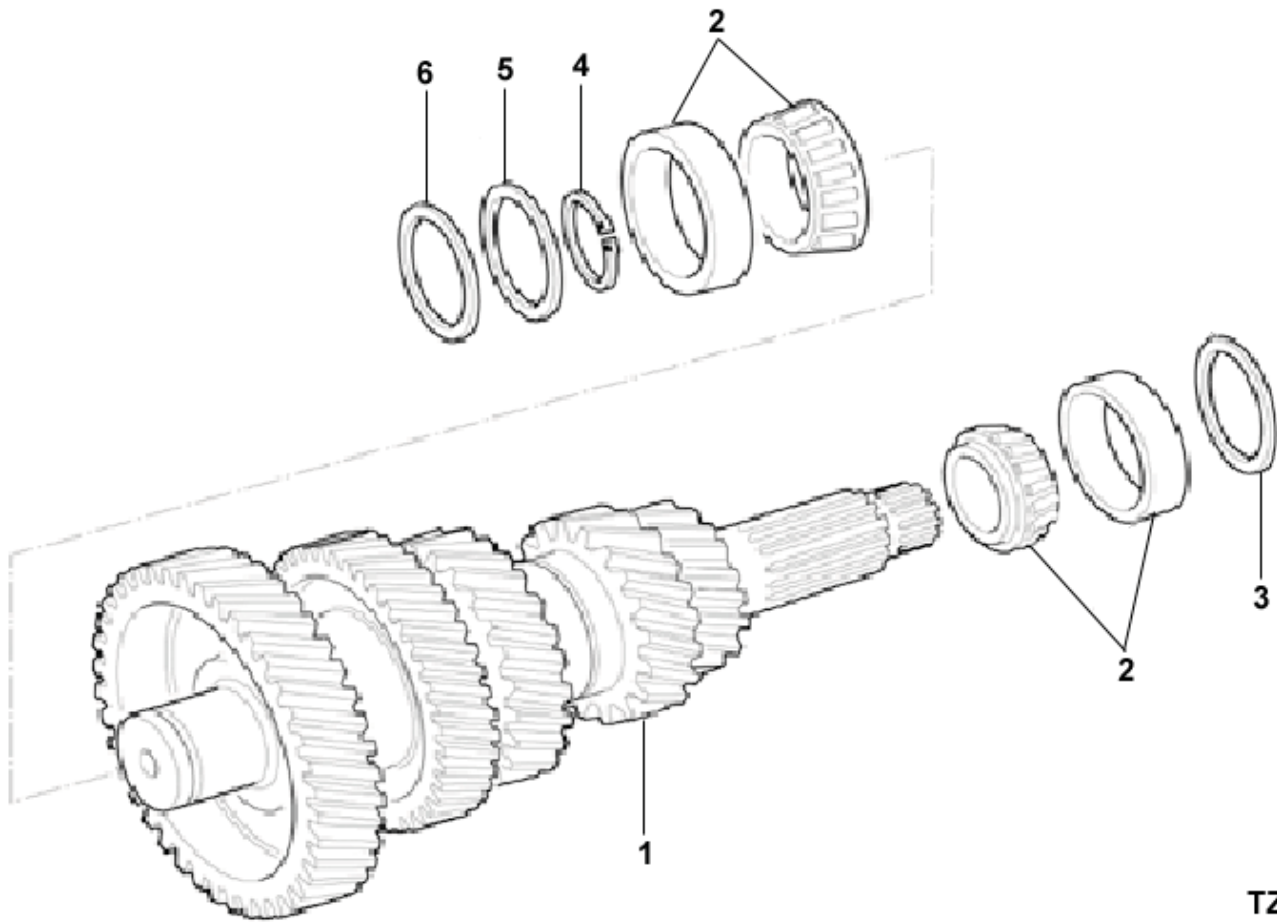
| Item | Current Part | Description | Replaced Part | Qty. | Notes | Kits/Assys Where Needed |
|------|--------------|---------------------------|---------------|------|-------------------|-------------------------|
| 19 | GX8870259 | DETENT COVER | | 1 | | |
| 20 | GMX-3-0801 | WASHER SPRING | | 2 | M8 | |
| 21 | GMX-8-0811 | SCREW | | 2 | M8X20 | |
| 22 | GX8874942 | OIL FILLER PLUG | | 1 | | |
| 23 | X8880519 | WASHER-FILL/DRAIN FL | | 2 | | |
| 24 | GX8874941 | MAGNETIC PLUG | | 1 | M24 | |
| 25 | GMX-8-1088 | SCREW | | 6 | M12X25 HEX FLG HD | |
| 26 | 8881616 | PTO PROVISION COVER | | 1 | | |
| 27 | GX8870278 | CUP PLUG | | 1 | | |
| 28 | GX8880554 | BEARING COVER LAYSHAFT | | 1 | | |
| 29 | GMX-8-1240 | SCREW | | 4 | M12X25 HEX FLG HD | |



TZ0019

INPUT SHAFT ASSY.

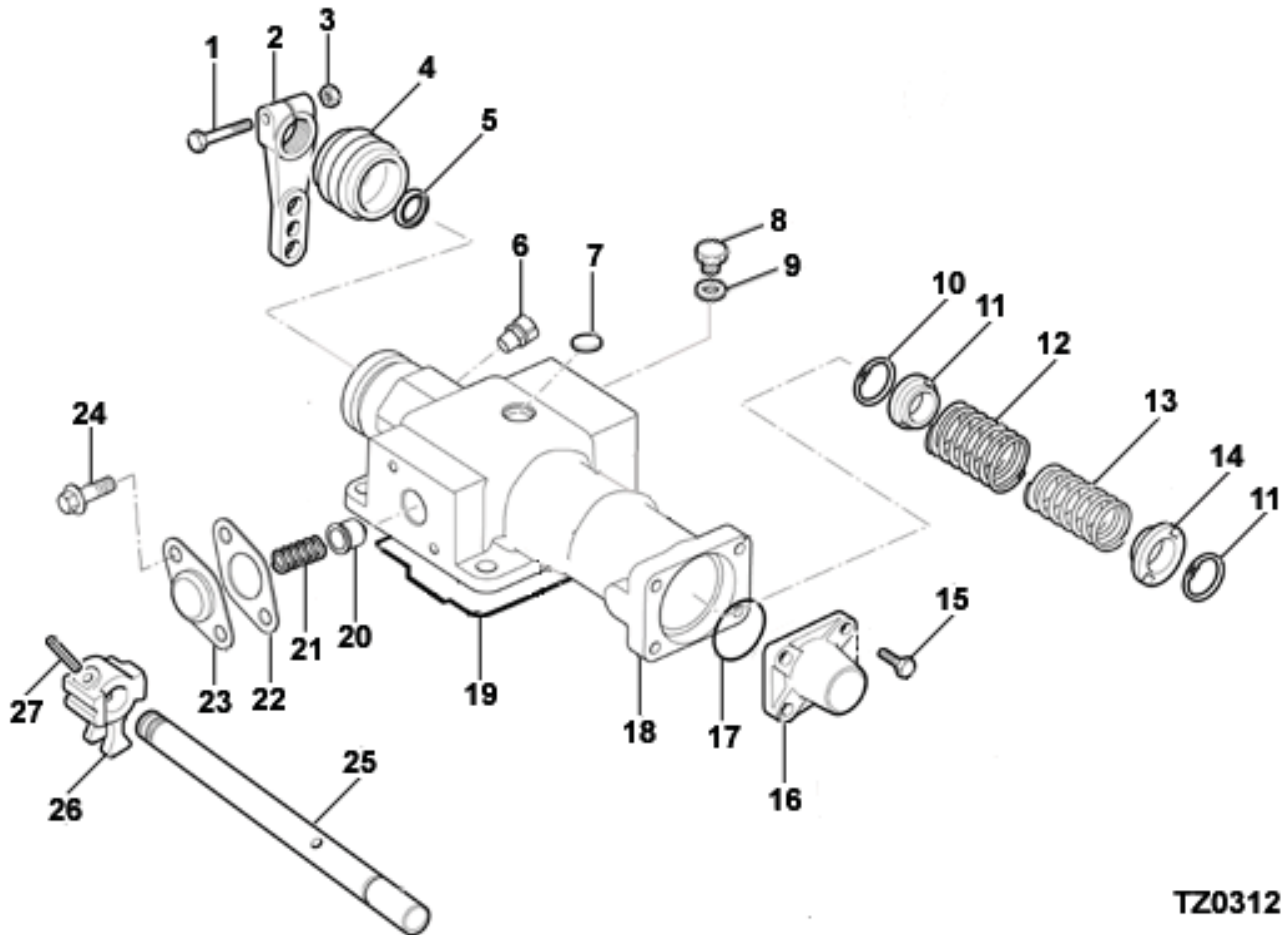
| Item | Current Part | Description | Replaced Part | Qty. | Notes | Kits/Assys Where Needed |
|------|--------------|----------------------|---------------|------|----------------|-------------------------|
| 0 | U8877952 | INPUT SHAFT ASSY. | | 1 | | |
| 1 | 8877318 | SYNCHRO FLANGE | | 1 | | |
| 2 | 8877836 | INPUT SHAFT | | 1 | | |
| 3 | X8872593 | INPUT SHAFT BEARING | | 1 | | |
| 4 | 8877692 | SPACER - GRADED 3.10 | | 1 | PACK: U8877691 | |
| 4 | 8877693 | SPACER - GRADED 3.15 | | 1 | PACK: U8877691 | |
| 4 | 8877694 | SPACER - GRADED 3.20 | | 1 | PACK: U8877691 | |
| 4 | 8877695 | SPACER - GRADED 3.25 | | 1 | PACK: U8877691 | |
| 4 | 8877696 | SPACER - GRADED 3.30 | | 1 | PACK: U8877691 | |
| 4 | 8877697 | SPACER - GRADED 3.35 | | 1 | PACK: U8877691 | |
| 4 | 8877698 | SPACER - GRADED 3.40 | | 1 | PACK: U8877691 | |
| 4 | 8877699 | SPACER - GRADED 3.45 | | 1 | PACK: U8877691 | |
| 4 | 8877700 | SPACER - GRADED 3.50 | | 1 | PACK: U8877691 | |
| 4 | U8877691 | SPACER - GRADED PACK | | 1 | | |
| 5 | X8877706 | CIRCLIP | | 1 | | |



TZ0023

LAYSHAFT ASSY.

| Item | Current Part | Description | Replaced Part | Qty. | Notes | Kits/Assys Where Needed |
|------|--------------|-----------------------------|---------------|------|----------------|-------------------------|
| 0 | U8876734 | LAYSHAFT ASSY. | | 1 | | |
| 2 | X8875587 | BRG. ASSY | | 2 | | |
| 3 | 8872210 | DISTANCE PIECE | | 1 | | |
| 4 | U8877534 | CIRCLIP GRADED PACK | | 1 | | |
| 4 | X8870370 | GR.C/CLIP 40 DIA. X 2.12 MM | | 1 | | |
| 4 | X8870371 | GR.C/CLIP 40 DIA. X 2.07 MM | | 1 | | |
| 4 | X8870372 | GR.C/CLIP 40 DIA X 2.02 MM | | 1 | | |
| 4 | X8871536 | GR.C/CLIP 40 DIA. X 1.97 MM | | 1 | PACK: U8877534 | |
| 4 | X8871537 | GR.C/CLIP 40 DIA. X 1.92 MM | | 1 | PACK: U8877534 | |
| 4 | X8871538 | GR.C/CLIP 40 DIA. X 1.87 MM | | 1 | PACK: U8877534 | |
| 4 | X8871539 | GR.C/CLIP 40 DIA. X 1.82 MM | | 1 | PACK: U8877534 | |
| 4 | X8871540 | GR.C/CLIP 40 DIA. X 1.77 MM | | 1 | PACK: U8877534 | |
| 5 | F88891 | SHIM | | 1 | PACK: U8877535 | |
| 5 | F88892 | SHIM | | 1 | PACK: U8877535 | |
| 5 | F88893 | SHIM | | 1 | PACK: U8877535 | |
| 5 | F88894 | SHIM | | 1 | PACK: U8877535 | |
| 5 | U8877535 | SHIM PACK | | 1 | | |
| 5 | X8882272 | SHIM | | 1 | PACK: U8877535 | |
| 6 | 8875879 | SPACER | | 1 | | |

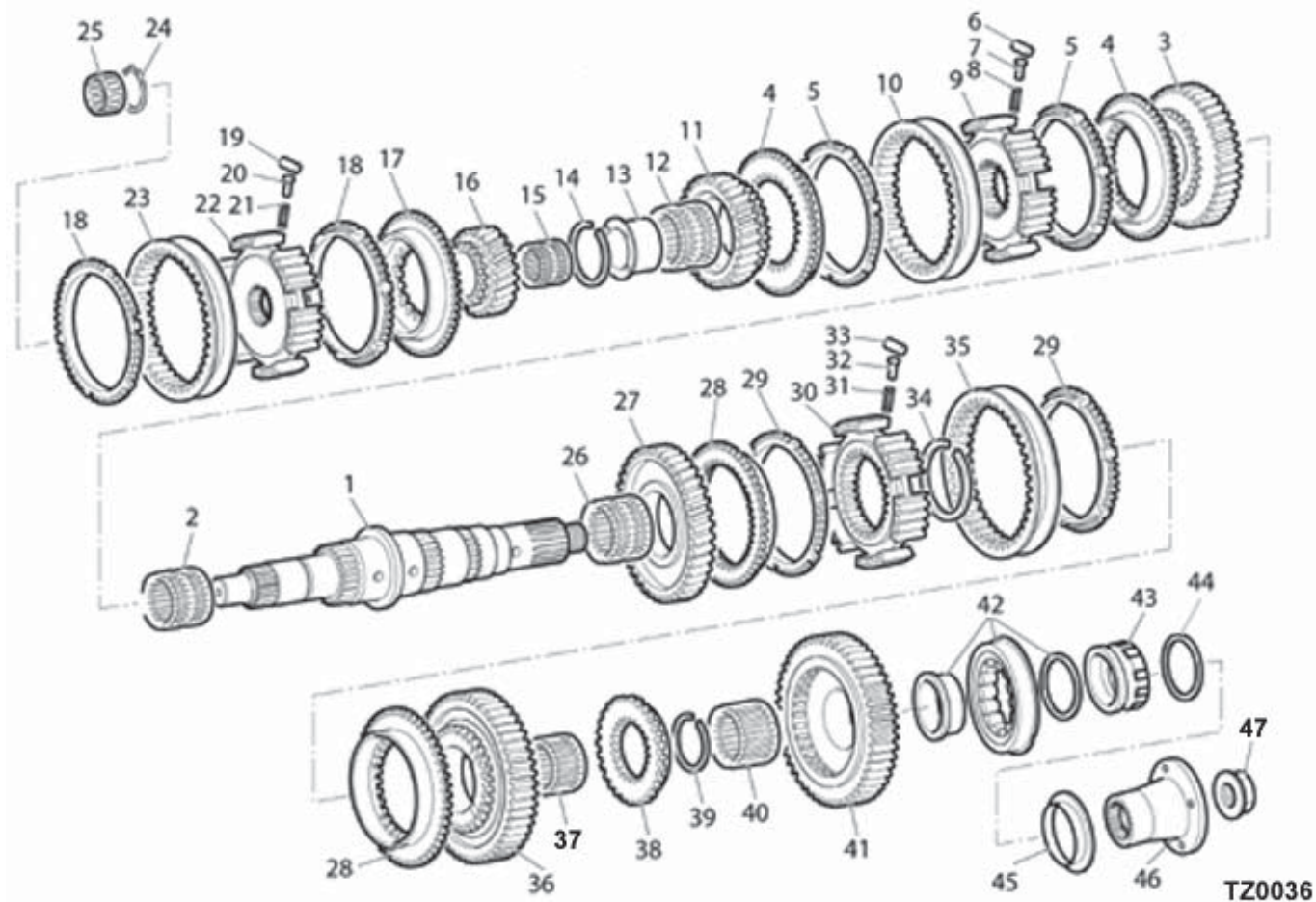


TZ0312

LRC ASSEMBLY

| Item | Current Part | Description | Replaced Part | Qty. | Notes | Kits/Assys Where Needed |
|------|--------------|-------------------------|---------------|------|---------|-------------------------|
| 0 | U8881056 | LRC ASSEMBLY | | 1 | | |
| 1 | GMX-8-1007 | BOLT | | 1 | M10X50 | |
| 2 | GX8876046 | OUTER LEVER | | 1 | | |
| 3 | GMX-9-1005 | NUT | | 1 | M10X1.5 | |
| 4 | X8875259 | BOOT | | 1 | | |
| 5 | X8881481 | OIL SEAL | | 1 | | |
| 6 | X2014210 | BREATHER | | 1 | | |
| 7 | GX8871486 | EXPANSION PLUG | | 1 | | |
| 8 | GX8871502 | PLUG | | 1 | M16 | |
| 9 | 5568510 | O-RING | | 1 | | |
| 10 | X8874450 | CIRCLIP | | 2 | 25.DIA | |
| 11 | 8876566 | SPRING RETAINER-BOOSTER | | 1 | | |
| 12 | 8876344 | SPRING COMPRESSION | | 1 | | |
| 13 | 8873736 | BIAS SPRING | | 1 | | |
| 14 | 8876567 | SPRING RETAINER-BIAS | | 1 | | |
| 15 | GMX-8-0847 | SCREW | | 4 | | |
| 16 | 8880477 | END CAP | | 1 | | |
| 17 | X8880639 | O-RING | | 1 | | |
| 18 | U8880695 | LRC SUB ASSY. | | 1 | | |
| 19 | 8880638 | SEAL-LRC TO CASE | | 1 | | |
| 20 | 8875415 | PLUNGER - DETENT | | 1 | | |
| 21 | 8874819 | DETENT SPRING | | 1 | | |
| 22 | 8870590 | GASKET | | 1 | | |
| 23 | GX8870259 | DETENT COVER | | 1 | | |
| 24 | GMX-8-0848 | SCREW | | 2 | | |

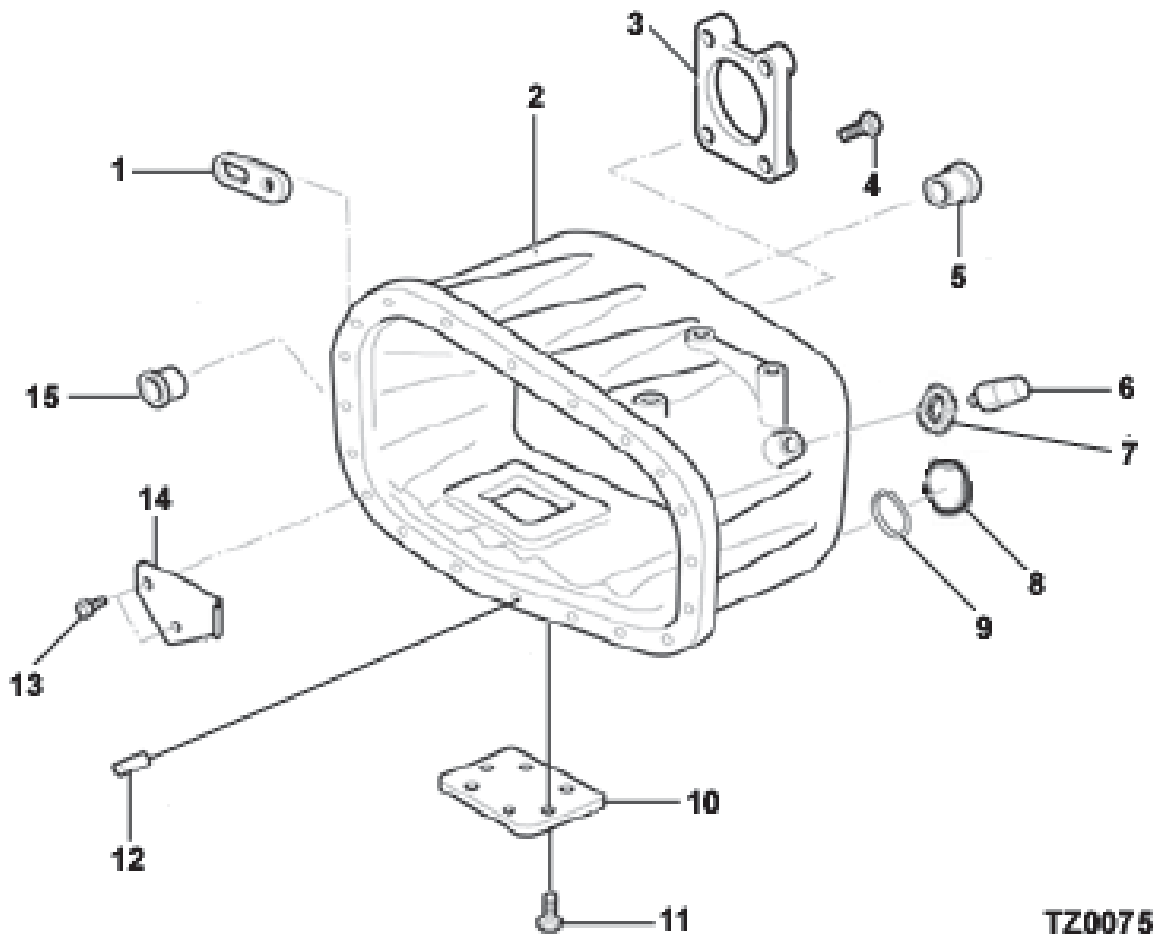
| Item | Current Part | Description | Replaced Part | Qty. | Notes | Kits/Assys Where Needed |
|------|--------------|----------------------|---------------|------|---------------|-------------------------|
| 25 | 8877154 | SHIFT ROD | | 1 | | |
| 26 | 8877658 | INNER STRIKING LEVER | | 1 | | |
| 27 | X8871378 | DOWEL | | 1 | 10,0 DIA X 44 | |



MAINSHAFT ASSY.

| Item | Current Part | Description | Replaced Part | Qty. | Notes | Kits/Assys Where Needed |
|------|--------------|------------------------------|---------------|------|----------------|-------------------------|
| 0 | U8877910 | MAINSHAFT ASSY. | | 1 | | |
| 1 | 8876605 | MAINSHAFT | | 1 | | |
| 2 | X8872236 | NEEDLE ROLLER BRG. ASSY. | | 1 | | |
| 3 | 8876267 | GEAR MAINSHAFT 3RD | | 1 | | |
| 4 | 8877316 | SYNCHRO FLANGE | | 2 | | |
| 5 | 8877313 | SYNCHRO RING | | 2 | | |
| 6 | X8870356 | ROLLER | | 3 | | |
| 7 | 8870352 | PLUNGER | | 3 | | |
| 8 | 8870444 | SPRING COMPRESSION | | 3 | | |
| 9 | 8875128 | FIXED HUB 3RD/4TH | | 1 | | |
| 10 | 8875374 | SLIDING SLEEVE | | 1 | | |
| 11 | 8876268 | GEAR MAINSHAFT 4TH | | 1 | | |
| 12 | X8872233 | NEEDLE ROLLER BRG. ASSY | | 1 | | |
| 13 | 8882868 | SLEEVE MAINSHAFT BEARING | | 1 | | |
| 14 | U8882558 | GRADED CIRCLIP PACK | | 1 | | |
| 14 | X8870534 | GR.CIRCLIP 46 DIA. X 2.10 MM | | 1 | PACK: U8882558 | |
| 14 | X8870535 | GR.CIRCLIP 46 DIA. X 2.05 MM | | 1 | PACK: U8882558 | |
| 14 | X8870536 | GR.CIRCLIP 46 DIA. X 2.00 MM | | 1 | PACK: U8882558 | |
| 15 | X8870180 | NEEDLE BEARING | | 1 | | |
| 16 | 8876452 | GEAR MAINSHAFT 6TH | | 1 | | |
| 17 | 8877317 | SYNCHRO FLANGE | | 1 | | |
| 18 | 8877314 | SYNCHRO RING | | 2 | | |
| 19 | X8870356 | ROLLER | | 3 | | |
| 20 | 8870352 | PLUNGER | | 3 | | |

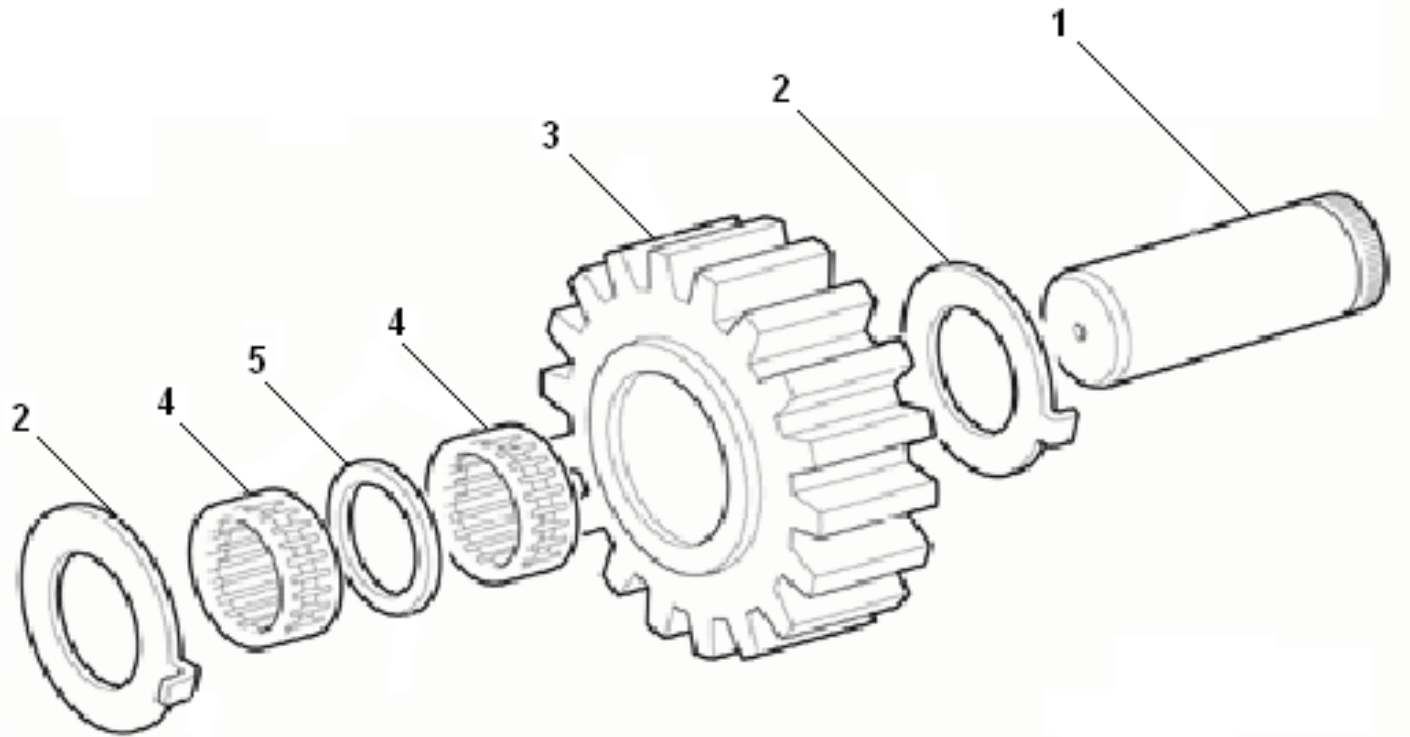
| Item | Current Part | Description | Replaced Part | Qty. | Notes | Kits/Assys Where Needed |
|------|--------------|--------------------------------|---------------|------|----------------|-------------------------|
| 21 | 8870444 | SPRING COMPRESSION | | 3 | | |
| 22 | 8875127 | FIXED HUB 5TH/6TH | | 1 | | |
| 23 | 8875375 | SLIDING SLEEVE | | 1 | | |
| 24 | U8877531 | GRADED CIRCLIP PACK | | 1 | | |
| 24 | X8870370 | GR.C/CLIP 40 DIA. X 2.12 MM | | 1 | | |
| 24 | X8870371 | GR.C/CLIP 40 DIA. X 2.07 MM | | 1 | | |
| 24 | X8870372 | GR.C/CLIP 40 DIA X 2.02 MM | | 1 | | |
| 25 | X8870305 | NEEDLE BRG.ROLLER ASSY | | 1 | | |
| 26 | X8872236 | NEEDLE ROLLER BRG. ASSY. | | 1 | | |
| 27 | 8881309 | GEAR MAINSHAFT 2ND | | 1 | | |
| 28 | 8877315 | SYNCHRO FLANGE | | 2 | | |
| 29 | 8877440 | SYNCHRO RING | | 2 | | |
| 30 | 8875129 | FIXED HUB 1ST/2ND | | 1 | | |
| 31 | 8870444 | SPRING COMPRESSION | | 3 | | |
| 32 | 8870352 | PLUNGER | | 3 | | |
| 33 | X8870356 | ROLLER | | 3 | | |
| 34 | U8876620 | GRADED CIRCLIP PACK | | 1 | | |
| 34 | X8876597 | CIRCLIP GR.DIA. 65 X 4.15 | | 1 | PACK: U8876620 | |
| 34 | X8876598 | CIRCLIP-GR.DIA. 65 X 4.10 | | 1 | PACK: U8876620 | |
| 34 | X8876599 | CIRCLIP-GR.DIA. 65 X 4.05 | | 1 | PACK: U8876620 | |
| 34 | X8876600 | CIRCLIP-GR.DIA. 65 X 4.00 | | 1 | PACK: U8876620 | |
| 34 | X8876601 | CIRCLIP-GR.DIA. 65 X 3.95 | | 1 | PACK: U8876620 | |
| 35 | 8875373 | SLIDIND SLEVEE 1ST/2ND | | 1 | | |
| 36 | 8876603 | GEAR MAINSHAFT 1ST | | 1 | | |
| 37 | X8870177 | NEEDLE ROLLER BRG. ASSY | | 1 | | |
| 38 | 8876602 | HUB FIXED REVERSE | | 1 | | |
| 39 | U8882193 | GRADED CIRCLIP PACK | | 1 | | |
| 39 | X8870378 | CIRCLIP-GR.DIA.60 X 2.10 MM | | 1 | PACK: U8877532 | |
| 39 | X8870379 | CIRCLIP-GR.DIA.60 X 2.05 MM | | 1 | PACK: U8877532 | |
| 39 | X8870380 | CIRCLIP-GR.DIA.60 X 2.00 MM | | 1 | PACK: U8877532 | |
| 40 | X8870178 | NEEDLE ROLLER BRG. ASSY | | 1 | | |
| 41 | 8872013 | GEAR MAINSHAFT REVERSE | | 1 | | |
| 42 | X8877197 | BRG.M/S OUTPUT INT SPACER | | 1 | | |
| 43 | 8877149 | ROTOR TACHOGRAPH | | 1 | | |
| 44 | 8877150 | SPACER TACH0 | | 1 | | |
| 45 | 8876869 | DIRT SHIELD | | 1 | | |
| 46 | GX8877151 | COUPLING FLANGE | | 1 | | |
| 47 | GX8870564 | MAINSHAFT NUT | | 1 | M33 | |



TZ0075

REAR CASE ASSY.

| Item | Current Part | Description | Replaced Part | Qty. | Notes | Kits/Assys Where Needed |
|------|--------------|------------------------|---------------|------|-------------------------|-------------------------|
| 0 | U8876808 | REAR CASE ASSY. | | 1 | | |
| 1 | GX8874026 | LIFTING EYE | | 2 | | |
| 2 | 8876781 | REAR CASE | | 1 | | |
| 3 | GX8880554 | BEARING COVER LAYSHAFT | | 1 | | |
| 4 | GMX-8-1239 | SCREW | | 4 | M12 X 25 HEX FLG HD | |
| 5 | GX8870278 | CUP PLUG | | 1 | | |
| 6 | GX2771532 | SWITCH REVERSE | | 1 | | |
| 7 | 5568510 | O-RING | | 1 | | |
| 8 | X8880496 | CORE PLUG | | 1 | 37.DIA | |
| 9 | X8881424 | CIRCLIP | | 1 | | |
| 10 | 8881616 | PTO PROVISION COVER | | 1 | | |
| 11 | GMX-8-1088 | SCREW | | 6 | M12X25 HEX FLG HD | |
| 12 | X8870543 | DOWEL | | 2 | 16,0 DI X 30,5 | |
| 13 | 8874473 | SCREW | | 2 | | |
| 14 | 8874494 | PLATE OIL RETENTION | | 1 | | |
| 15 | 8882415 | BUSH | | 1 | FOR MAIN SELECTOR SHAFT | |

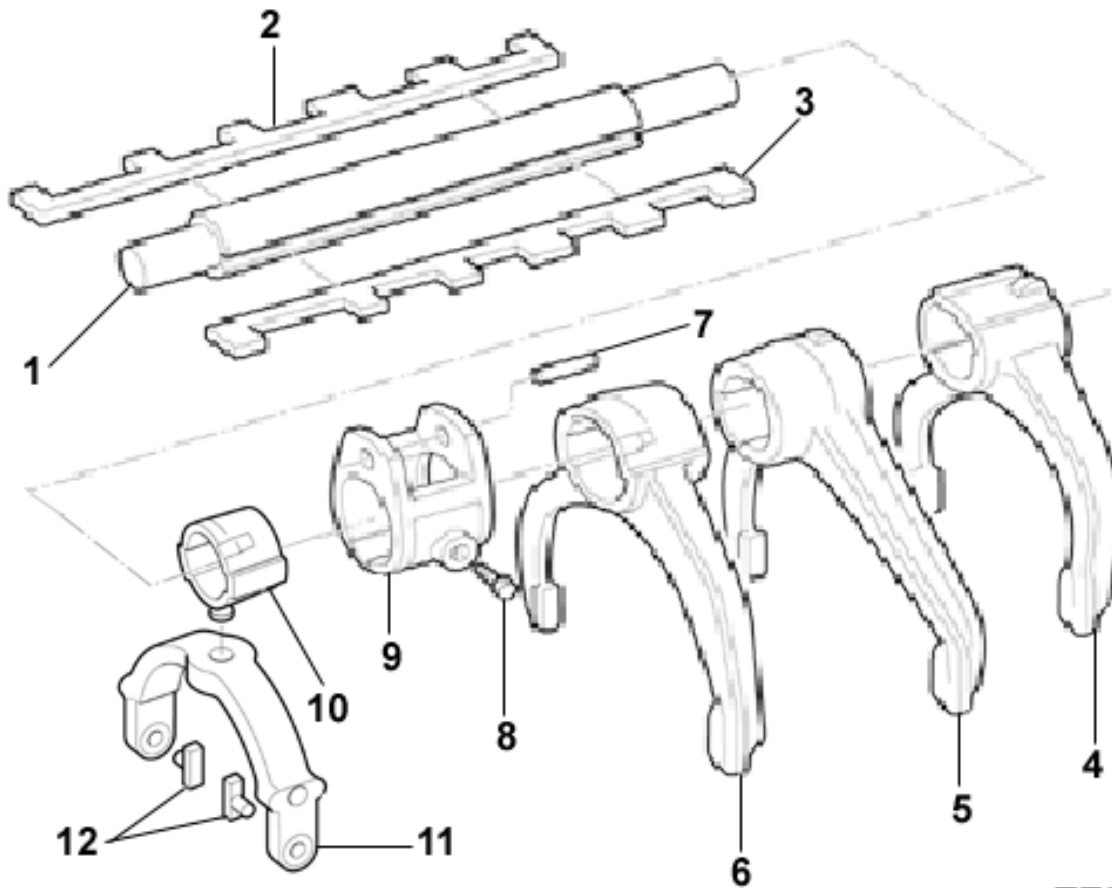


PU0007

REVERSE IDLER SHAFT

| Item | Current Part | Description | Replaced Part | Qty. | Notes | Kits/Assys Where Needed |
|------|--------------|---------------------|---------------|------|-------|-------------------------|
| 1 | 8883246 | REVERSE IDLER SHAFT | | 1 | | |
| 2 | 8870343 | THRUST WASHER | | 2 | | |
| 3 | 8872173 | GEAR IDLER REVERSE | | 1 | | |
| 4 | X8872478 | NEEDLE ROLLER BRG | | 2 | | |
| 5 | 8872479 | SPACER | | 1 | | |

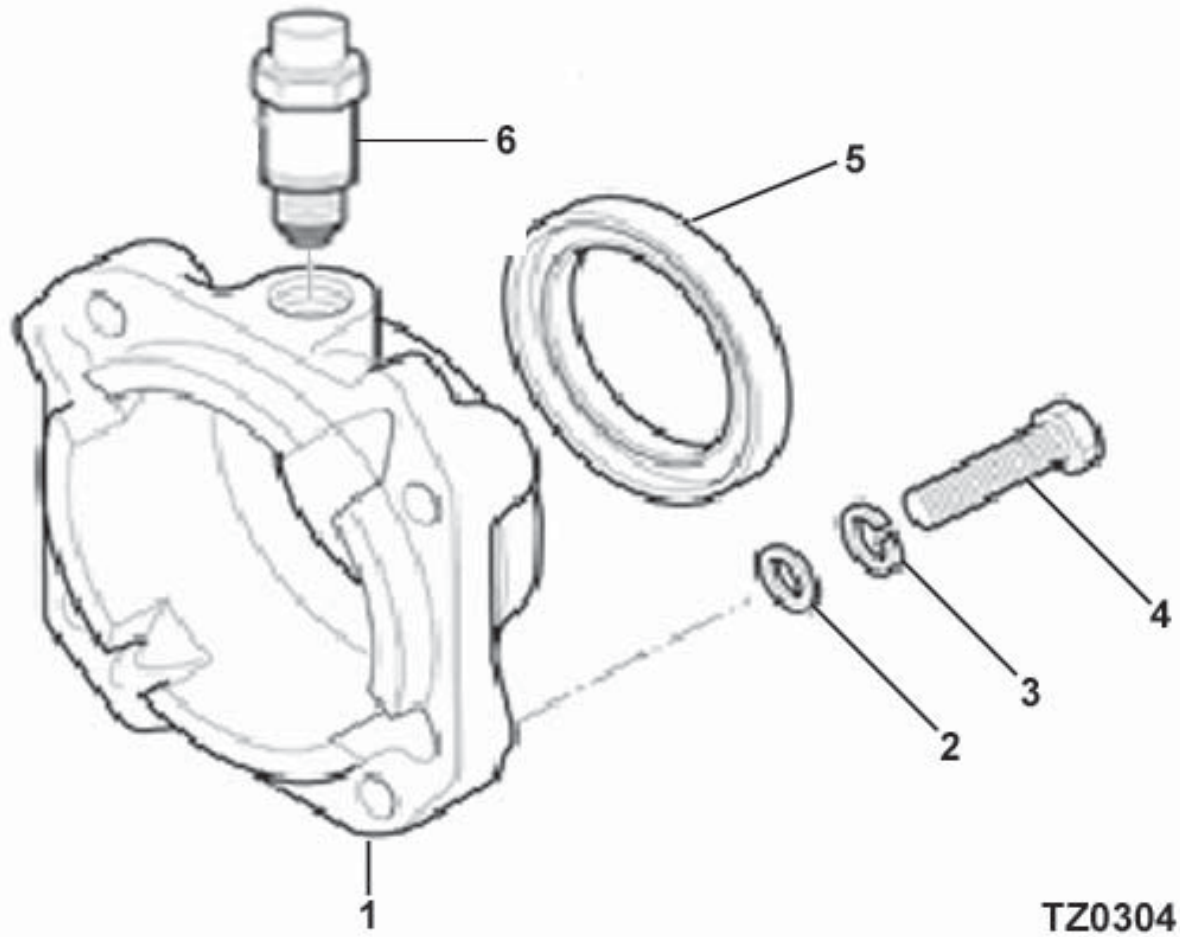
Group: SELECTOR ASSY.



TZ0037

SELECTOR ASSY.

| Item | Current Part | Description | Replaced Part | Qty. | Notes | Kits/Assys Where Needed |
|------|--------------|---------------------|---------------|------|---------------|-------------------------|
| 0 | U8877720 | SELECTOR ASSY. O/D | | 1 | | |
| 1 | 8874835 | SELECTOR SHAFT | | 1 | | |
| 2 | 8876394 | SELECTOR KEY | | 1 | | |
| 3 | 8876395 | INTERLOCK KEY | | 1 | | |
| 4 | 8875503 | FORK REVERSE | | 1 | | |
| 5 | 8880805 | FORK 1ST/2ND | | 1 | | |
| 6 | 8875501 | FORK 3RD/4TH | | 1 | | |
| 7 | X8870277 | DOWEL | | 1 | | |
| 8 | 8873691 | SCREW | | 1 | M10X23 HEX HD | |
| 9 | 8874755 | SELECTOR BLOCK | | 1 | | |
| 10 | 8877718 | SELECTOR OVERDRIVE | | 1 | | |
| 11 | 8880960 | FORK OVERDRIVE | | 1 | | |
| 12 | 8872043 | OVERDRIVE SHIFT PAD | | 2 | | |



TZ0304

SPEEDO HOUSING

| Item | Current Part | Description | Replaced Part | Qty. | Notes | Kits/Assys Where Needed |
|------|--------------|----------------------|---------------|------|-------------------|-------------------------|
| 0 | U8876881 | SPEEDO HOUSING ASSY. | | 1 | | |
| 1 | 8877756 | SPEEDO HOUSING | | 1 | | |
| 2 | GX11245 | WASHER PLAIN | | 1 | M10 | |
| 3 | GMX-3-1001 | SPRING WASHER | | 1 | M10 | |
| 4 | GMX-8-1020 | SCREW | | 1 | M10X35 | |
| 4 | GMX-8-1091 | SCREW | | 2 | M10X30 HEX FLG HD | |
| 4 | GMX-8-1093 | BOLT | | 1 | M10X45 HEX FLG HD | |
| 5 | X13711 | OIL SEAL | | 1 | | |
| 6 | X8877476 | IMPULSE TRANSMITTER | | 1 | | |

Copyright Eaton Corporation, 2009.
Eaton hereby grants their customers,
vendors, or distributors permission to
freely copy, reproduce and/or distribute
this document in printed format. It may
be copied only in its entirety without
any changes or modifications. THIS
INFORMATION IS NOT INTENDED FOR
SALE OR RESALE, AND THIS NOTICE
MUST REMAIN ON ALL COPIES.

