



Spare Parts Catalog

6 S 1000 TO

Material number: 1346.082.007



Pos.	Information	Amendment number
001	Use case -----	
002	Customer KAMAZ PUBLIC JOINT STOCK COMPANY	
003	City Naberezhnye Chelny	
004	DUNS 64-493-2113	
005	Vehicle / Apparatus -----	
006	Sales Name KAMAZ-4308	
007	Manufacturer KAMAZ PUBLIC JOINT STOCK COMPANY	
008	Engineering Name	
009	Product Use TRUCK	
010	Vehicle/Hardware Type ROAD TRACTOR	
011	SOP	
012	Engine	
013	Sales Designation	
014	Manufacturer Cummins Engine Co.	
015	Eng.Displ.	
016	Cylinder	
017	Nom. power 136 kW	
018	RPM at nom. power 2500 1/min	
019	Nom. torque 700 Nm	
020	RPM at nom. torque 1500 1/min	
021	Classification use case -----	
022	APPROVAL NOTE 1 FIRST FITTING CHECK CARR.OUT	
024	DESIGNATION, CLUTCH MF395	
025	MANUFACTURER, CLUTCH ZF-SACHS	
026	TOTAL NUMBER OF WHEELS 4	
027	NUMBER OF DRIVING WHEELS 4	
028	DYNAMIC TYRE RADIUS 407 mm	
029	REAR AXLE RATIO 4.78	
033	PERMISS.GROSS VEHICLE WEIGHT 11 t	
034	PERMISS.GROSS COMBIN.WEIGHT 19 t	
035	Product description -----	
036	OIL CAPACITY, GEARBOX 9.3 dm3	



Pos.	Information	Amendment number
037	OIL FILL VARIANT EX WORKS	
038	OIL GRADE PERMISSIBLE ACC. TO TE-ML02	



Graphics	Pos.	Material number	Name	VKF	Amend. no.	Amend. start	Prod. no.	Material feature / tech. info.	ID
	910	1346.002.062	6 S 1000 TO	1		00.00.0000		SG*LL*ANGEFL*DW-WL	1
150.01.08-1	110	1346.101.022	CLUTCH HOUSING	1		00.00.0000		LL*6S1000TO*GD	3
150.01.08-1	120	1346.101.800	OUTPUT HOUSING	1		00.00.0000		LL*6S1000TO*6S800TD	3
150.02.01-1	130	1346.102.008	INPUT SHAFT	1		00.00.0000		I=6,75*L=107*SAE10C 1 3/4*OD*6S1000TO*L=299,5*LAGEROPTIM.	3
150.02.01-1	140	1346.102.007	GUIDE TUBE	1		00.00.0000		L=107*D=57*1 3/4*LAGEROPTI*L=15	3
150.02.01-1	150	1346.102.801	GUIDE TUBE	1		00.00.0000		E2410*2408	3
150.02.01-1	160	1346.102.800	INPUT SHAFT	1		00.00.0000		6S1000TO*6S800TD	3
150.03.01-1	920	1346.103.001	LAYSHAFT	1		00.00.0000		I=6,75-0,78*6S1000TO	3
150.04.01-1	210	1346.104.800	MAIN SHAFT	1		00.00.0000		AD=155*LZ=4*D=13,0 *E24*L=112,5	3
150.04.01-1	910	1346.104.001	MAIN SHAFT	1		00.00.0000		I=6,75-0,78*6S1000 TO	3
150.05.01-1	220	1346.105.001	RETURN	1		00.00.0000		6S1000TO*6S800TD	3
150.06.01-1	230	1346.106.003	GEAR SHIFT SYSTEM	1		00.00.0000		OD*6S 1000TO*NEUE SCHUBST.	3
150.09.04-1	10	1346.109.006	GEAR SHIFT HOUSING	1		00.00.0000		DW-LI*MGS	3
150.10.01-1	270	1346.174.800	SHIFT TURRET	1		00.00.0000		ANBAUTEILE*VB	3
150.18.01-1	300	1346.108.002	SPEEDOMETER COVER	1		00.00.0000		6S 1000TO*6S 800TD*M.GEBER*BAJONETT	3
150.18.01-1	310	1346.108.800	SPEEDOMETER COVER	1		00.00.0000		6S 1000TO*6S 800TD	3
150.50.06-1	90	1346.150.020	SET OF SPRINGS	1		00.00.0000		DW- LI*Q1*W018*KOMBIANSCHL*RG=80N	3
150.52.04-1	40	1346.152.002	LEVER	1		00.00.0000		DW-LI*MGS *R=65/85*A23*FZO	3
150.55.03-1	30	1346.155.013	GEAR SHIFT SHAFT	1		00.00.0000		DW-LI*MGS*KOMBIA *L=222/218	3
150.58.01-1	100	1346.158.004	DETENT	1		00.00.0000		DW-LI/RE*MGS *138N	3
150.59.01-1	80	1346.159.008	SWITCH	1		00.00.0000		NG OEFF*RG SCHL*CGS*KOMBIA*RIEGELFEDER 76N*O.BUEG.	3
150.93.42-1	330	6060.168.009	CLUTCH RELEASE DEVICE	1		00.00.0000		E24*SAE2*O.AUSRUECKER	3

VKF Incidence factor

ID Identification (output code)



Pos.	Material number	Name	VKF	Amend. no.	Amend. start	Prod. no.	Material feature / tech. info.	OTK	External material no.	ID	Weight	SP
10	1346.109.006	GEAR SHIFT HOUSING	1		00.00.0000		DW-LI*MGS			3	0,000	
30	1346.155.013	GEAR SHIFT SHAFT	1		00.00.0000		DW-LI*MGS*KOMBIA *L=222/218			3	0,000	
40	1346.152.002	LEVER	1		00.00.0000		DW-LI*MGS *R=65/85*A23*FZO			3	0,000	
80	1346.159.008	SWITCH	1		00.00.0000		NG OEFF*RG SCHL*CGS*KOMBIA*RIEGELFEDER 76N *O.BUEG.			3	0,000	
90	1346.150.020	SET OF SPRINGS	1		00.00.0000		DW-LI*Q1*W018*KOMBIANSCHL.*RG=80N			3	0,000	
100	1346.158.004	DETENT	1		00.00.0000		DW-LI/RE*MGS *138N			3	0,000	
110	1346.101.022	CLUTCH HOUSING	1		00.00.0000		LL *6S1000TO*GD			3	0,000	
120	1346.101.800	OUTPUT HOUSING	1		00.00.0000		LL *6S1000TO*6S800TD			3	0,000	
130	1346.102.008	INPUT SHAFT	1		00.00.0000		I= 6,75*L=107*SAE10C 1 3/4*OD*6S1000TO*L=299,5*LAGEROPTIM.			3	0,000	
140	1346.102.007	GUIDE TUBE	1		00.00.0000		L=107*D=57*1 3/4*LAGEROPTI*L=15			3	0,000	
150	1346.102.801	GUIDE TUBE	1		00.00.0000		E2410*2408			3	0,000	
160	1346.102.800	INPUT SHAFT	1		00.00.0000		6S1000TO*6S800TD			3	0,000	
210	1346.104.800	MAIN SHAFT	1		00.00.0000		AD=155*LZ=4*D=13,0 *E24*L=112,5			3	0,000	
220	1346.105.001	RETURN	1		00.00.0000		6S1000TO*6S800TD			3	0,000	
230	1346.106.003	GEAR SHIFT SYSTEM	1		00.00.0000		OD*6S 1000TO*NEUE SCHUBST.			3	0,000	
270	1346.174.800	SHIFT TURRET	1		00.00.0000		ANBAUTEILE*VB			3	0,000	
300	1346.108.002	SPEEDOMETER COVER	1		00.00.0000		6S 1000TO*6S 800TD*M. GEBER*BAJONETT			3	0,000	
310	1346.108.800	SPEEDOMETER COVER	1		00.00.0000		6S 1000TO*6S 800TD			3	0,000	

VKF Incidence factor

OTK Optional technical kit

ID Identification (output code)

SP Supplier plant



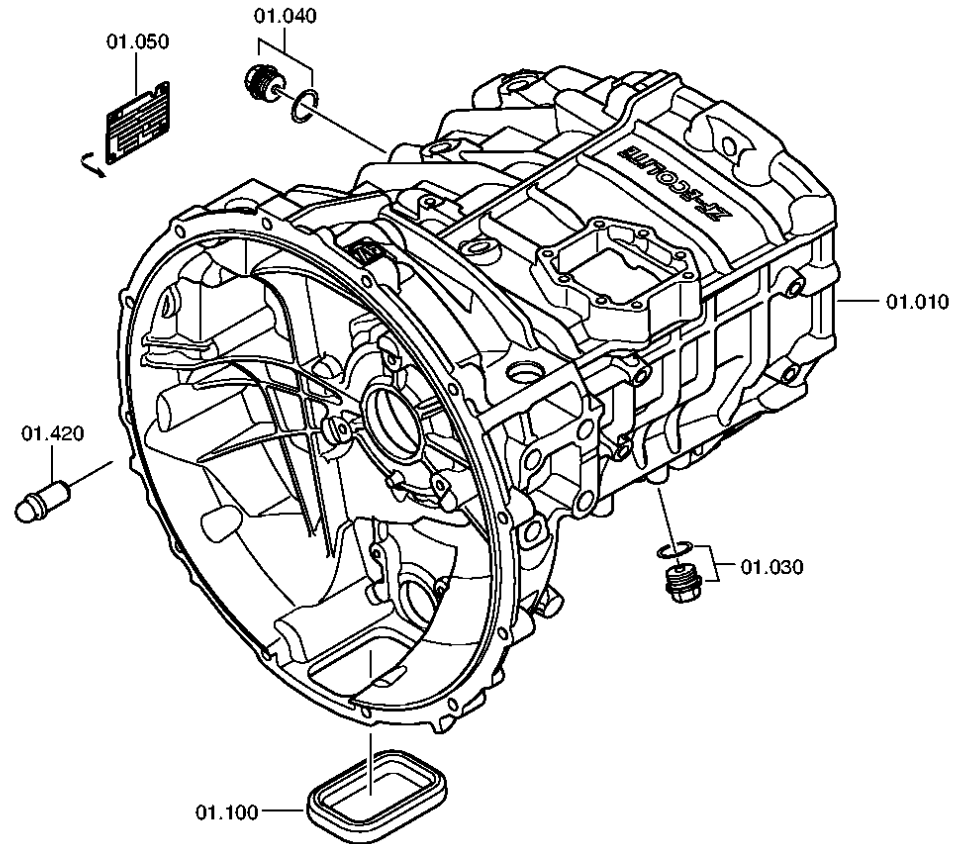
Pos.	Material number	Name	VKF	Amend. no.	Amend. start	Prod. no.	Material feature / tech. info.	OTK	External material no.	ID	Weight	SP
330	6060.168.009	CLUTCH RELEASE DEVICE	1		00.00.0000		E24*SAE2*O.AUSRUECKER			3	0,000	
910	1346.104.001	MAIN SHAFT	1		00.00.0000		I=6,75-0,78*6S1000 TO			3	0,000	
920	1346.103.001	LAYSHAFT	1		00.00.0000		I=6,75-0,78*6S1000TO			3	0,000	

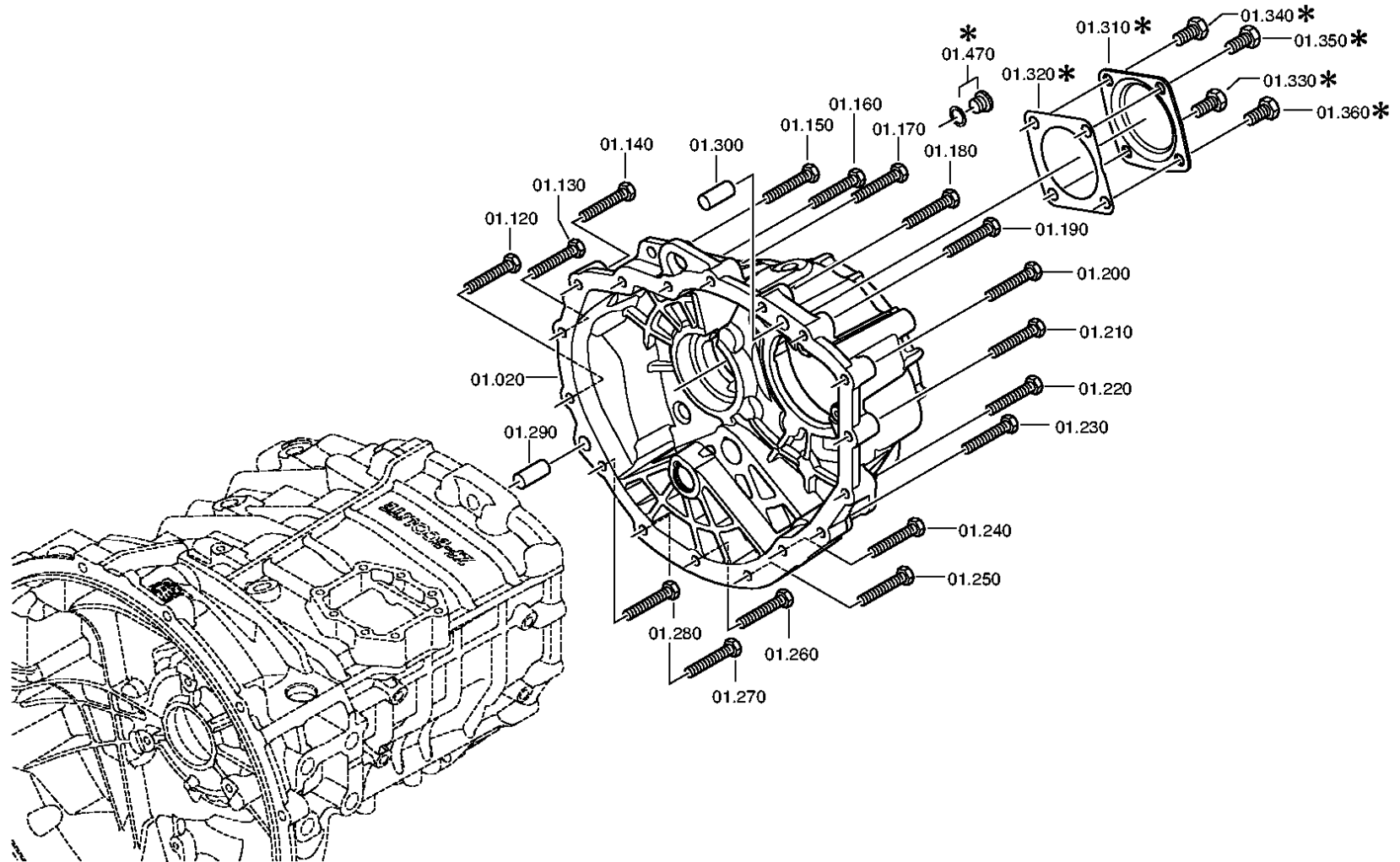
VKF Incidence factor

OTK Optional technical kit

ID Identification (output code)

SP Supplier plant







Pos.	Material number	Name	VKF	Amend. no.	Amend. start	Prod. no.	Material feature / tech. info.	OTK	External material no.	ID	Weight	SP
10	1346.301.088	CLUTCH HOUSING	1		00.00.0000		E2410, DRUCKGUSS			5	0,000	
20	1346.301.081	OUTPUT HOUSING	1		00.00.0000		E2410			5	0,000	
30	---	SCREW PLUG	1	Z0001017 6111	07.11.2011	07.11.2011	24X1,5			3	0,000	
---	0736.300.160	SCREW PLUG	1	Z0001017 6110	25.11.2010	25.11.2010	M24X1,5 M24X1,5			5	0,000	
---	0730.008.637	SEALING RING	1	Z0001017 6110	25.11.2010	25.11.2010	A24X29			5	0,000	
40	---	SCREW PLUG	1	Z0001011 2111	31.12.2011	31.12.2011	60N.M*DICHTRING M24X1,5			3	0,000	
---	0636.304.088	SCREW PLUG	1	Z0001011 2110	24.11.2010	24.11.2010	M24X1,5			5	0,000	
---	0730.008.637	SEALING RING	1	Z0001011 2110	24.11.2010	24.11.2010	A24X29			5	0,000	
50	0730.365.260	TYPE PLATE	1		00.00.0000					5	0,000	
100	1315.301.230	PROTECTION CAP	1		00.00.0000					5	0,000	
120	0636.016.405	HEXAGON BOLT	1	Z0000706 0114	01.01.2012	01.01.2012	M10X60			5	0,000	
130	0636.016.405	HEXAGON BOLT	1	Z0000706 0114	01.01.2012	01.01.2012	M10X60			5	0,000	
140	0636.016.405	HEXAGON BOLT	1	Z0000706 0114	01.01.2012	01.01.2012	M10X60			5	0,000	
150	0636.016.405	HEXAGON BOLT	1	Z0000706 0114	01.01.2012	01.01.2012	M10X60			5	0,000	
160	0636.016.405	HEXAGON BOLT	1	Z0000706 0114	01.01.2012	01.01.2012	M10X60			5	0,000	
170	0636.016.405	HEXAGON BOLT	1	Z0000706 0114	01.01.2012	01.01.2012	M10X60			5	0,000	
180	0636.016.405	HEXAGON BOLT	1	Z0000706 0114	01.01.2012	01.01.2012	M10X60			5	0,000	
190	0636.016.405	HEXAGON BOLT	1	Z0000706 0114	01.01.2012	01.01.2012	M10X60			5	0,000	

VKF Incidence factor

OTK Optional technical kit

ID Identification (output code)

SP Supplier plant



Pos.	Material number	Name	VKF	Amend. no.	Amend. start	Prod. no.	Material feature / tech. info.	OTK	External material no.	ID	Weight	SP
200	0636.016.405	HEXAGON BOLT	1	Z0000706 0114	01.01.2012	01.01.2012	M10X60			5	0,000	
210	0636.016.405	HEXAGON BOLT	1	Z0000706 0114	01.01.2012	01.01.2012	M10X60			5	0,000	
220	0636.016.405	HEXAGON BOLT	1	Z0000706 0114	01.01.2012	01.01.2012	M10X60			5	0,000	
230	0636.016.405	HEXAGON BOLT	1	Z0000706 0114	01.01.2012	01.01.2012	M10X60			5	0,000	
240	0636.016.405	HEXAGON BOLT	1	Z0000706 0114	01.01.2012	01.01.2012	M10X60			5	0,000	
250	0636.016.405	HEXAGON BOLT	1	Z0000706 0114	01.01.2012	01.01.2012	M10X60			5	0,000	
260	0636.016.405	HEXAGON BOLT	1	Z0000706 0114	01.01.2012	01.01.2012	M10X60			5	0,000	
270	0636.016.405	HEXAGON BOLT	1	Z0000706 0114	01.01.2012	01.01.2012	M10X60			5	0,000	
280	0636.016.405	HEXAGON BOLT	1	Z0000706 0114	01.01.2012	01.01.2012	M10X60			5	0,000	
290	0631.306.229	CYLINDRICAL PIN	1		00.00.0000		16X36			5	0,000	
300	0631.306.229	CYLINDRICAL PIN	1		00.00.0000		16X36			5	0,000	
310	1328.301.170	COVER	1	Z0000806 8010	31.12.2011	31.12.2011				5	0,000	
320	1238.308.201	GASKET	1		00.00.0000		ENTHALT.IN 1238 308 202(2)		5006880	5	0,000	
330	0636.016.406	HEXAGON BOLT	1	Z0000706 1014	01.01.2012	01.01.2012	M12X25			5	0,000	
340	0636.016.406	HEXAGON BOLT	1	Z0000706 1014	01.01.2012	01.01.2012	M12X25			5	0,000	
350	0636.016.406	HEXAGON BOLT	1	Z0000706 1014	01.01.2012	01.01.2012	M12X25			5	0,000	
360	0636.016.406	HEXAGON BOLT	1	Z0000706 1014	01.01.2012	01.01.2012	M12X25			5	0,000	
420	6060.368.075	BALL PIN	1		00.00.0000					5	0,000	

VKF Incidence factor

OTK Optional technical kit

ID Identification (output code)

SP Supplier plant



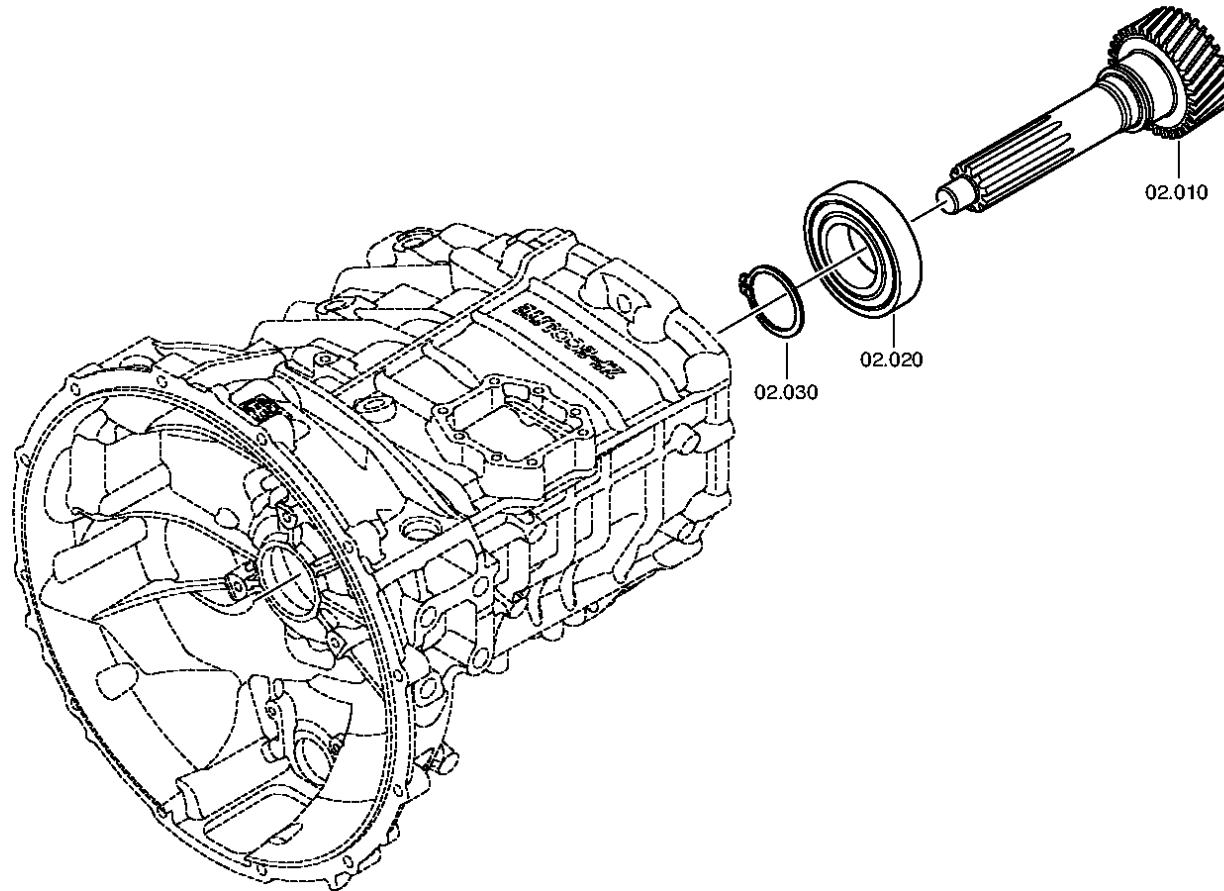
Pos.	Material number	Name	VKF	Amend. no.	Amend. start	Prod. no.	Material feature / tech. info.	OTK	External material no.	ID	Weight	SP
470	---	SCREW PLUG	1	Z0001011 1613	02.05.2011	02.05.2011	15N.M*DICHTRING M10X1			3	0,000	
---	0636.100.793	SCREW PLUG	1	Z0001011 1619	05.11.2010	05.11.2010	M10X1			5	0,000	
---	0634.801.013	SEALING RING	1	Z0001011 1619	05.11.2010	05.11.2010	10X14			5	0,001	

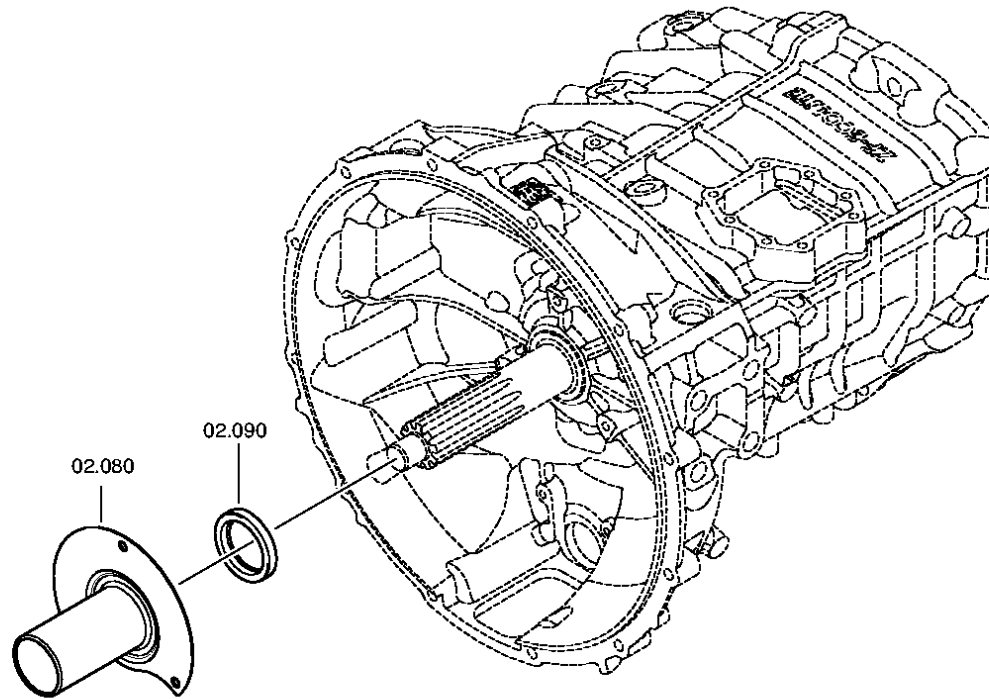
VKF Incidence factor

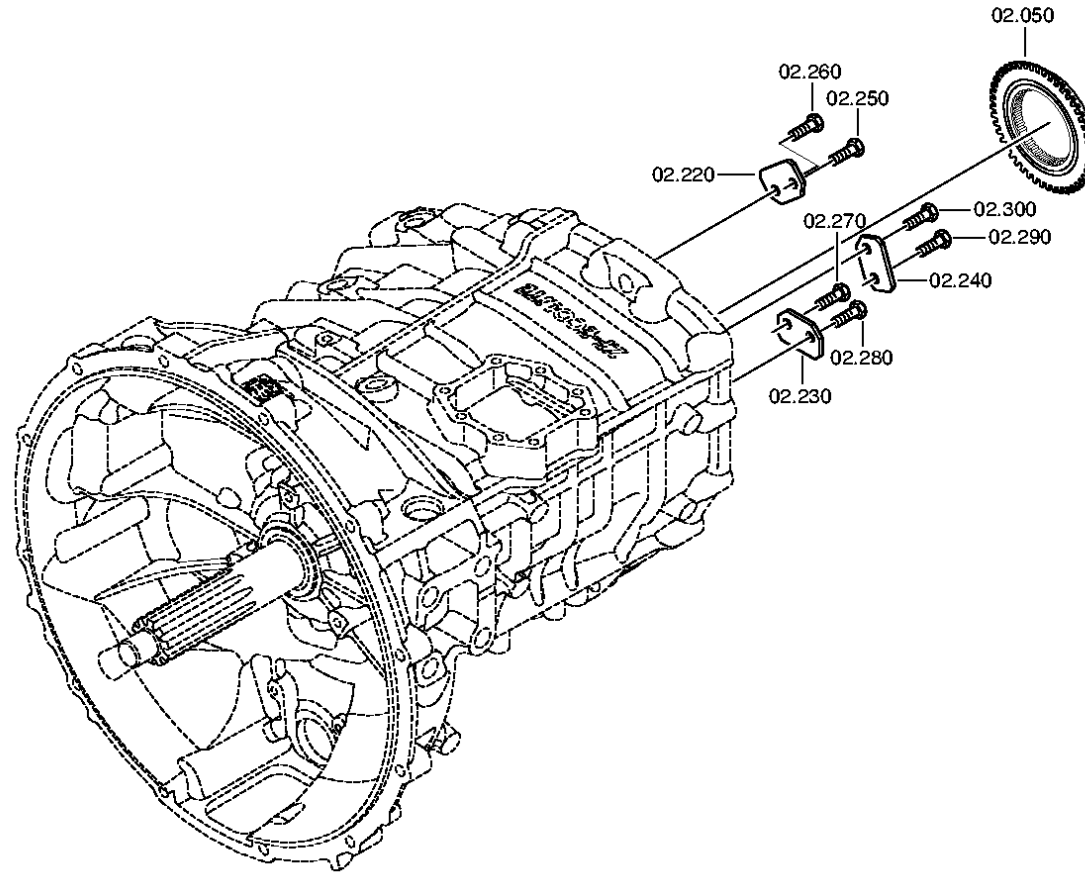
OTK Optional technical kit

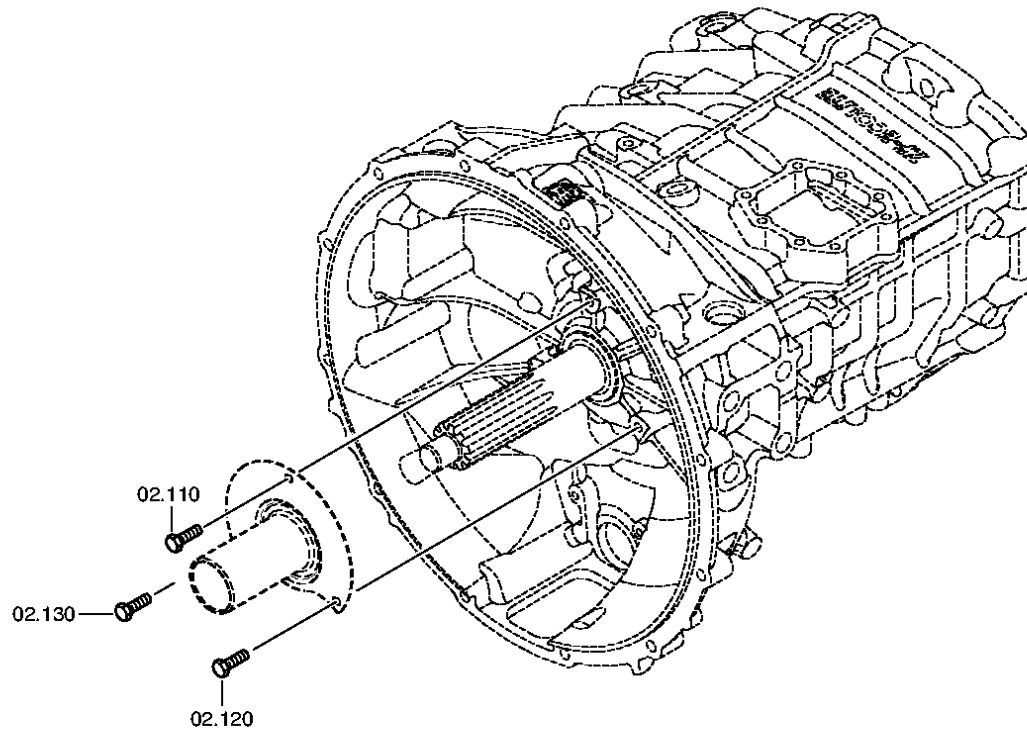
ID Identification (output code)

SP Supplier plant









Parts list
Page 1 from 1

Material number: 1346.082.007 6 S 1000 TO /
Plant: 150.02.01-1
Material-assembly-group-no: 1346.102.008



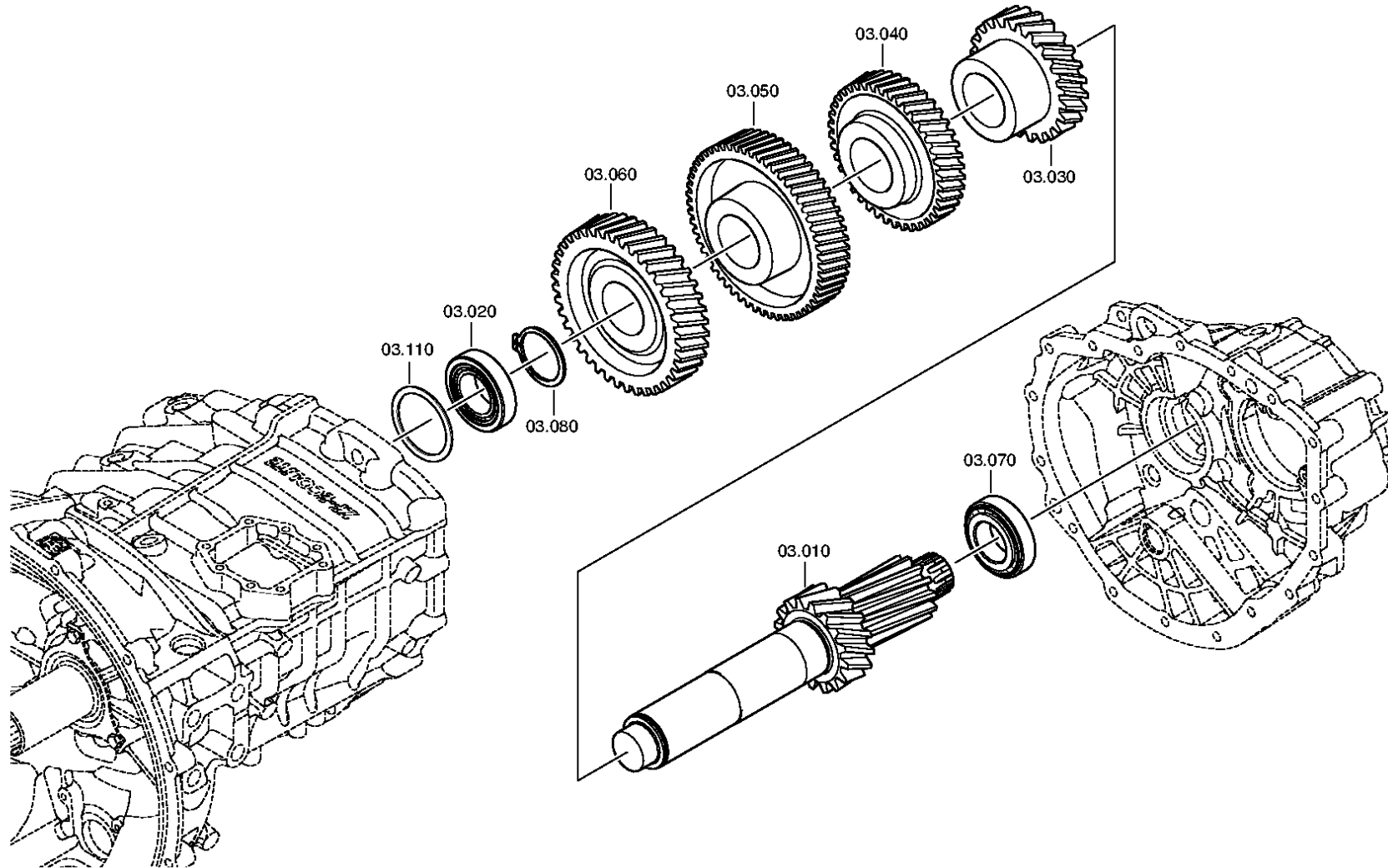
Pos.	Material number	Name	VKF	Amend. no.	Amend. start	Prod. no.	Material feature / tech. info.	OTK	External material no.	ID	Weight	SP
10	1346.302.047	INPUT SHAFT	1		00.00.0000		E2410			5	0,000	
20	0735.330.801	BALL BEARING	1		00.00.0000		60,0X130,0X31,0 FA.SKF			5	0,000	
30	0630.531.076	RETAINING RING	1		00.00.0000		60X3		VOE6645408	5	0,020	
50	1346.304.047	CLUTCH BODY	1		00.00.0000		E2410			5	0,000	
80	1346.302.078	GUIDE TUBE	1	C0100945 1E10	00.00.0000	00.00.0000				5	0,000	
90	---	SHAFT SEAL	1		00.00.0000		48X65X7			3	0,000	
---	0734.319.782	SHAFT SEAL	1		00.00.0000		48X65X7 FA.CFW			5	0,000	
---	0750.199.019	GREASE	1		00.00.0000		KLASSE A			3	0,000	
110	0636.016.401	HEXAGON BOLT	1		00.00.0000		M8X25			5	0,000	
120	0636.016.401	HEXAGON BOLT	1		00.00.0000		M8X25			5	0,000	
130	0636.016.401	HEXAGON BOLT	1		00.00.0000		M8X25			5	0,000	
220	1290.312.111	TAB WASHER	1		00.00.0000		ENTHALT.IN 1290 312 113(2)			5	0,000	
230	1290.312.111	TAB WASHER	1		00.00.0000		ENTHALT.IN 1290 312 113(2)			5	0,000	
240	1290.312.111	TAB WASHER	1		00.00.0000		ENTHALT.IN 1290 312 113(2)			5	0,000	
250	0636.016.401	HEXAGON BOLT	1		00.00.0000		M8X25			5	0,000	
260	0636.016.401	HEXAGON BOLT	1		00.00.0000		M8X25			5	0,000	
270	0636.016.401	HEXAGON BOLT	1		00.00.0000		M8X25			5	0,000	
280	0636.016.401	HEXAGON BOLT	1		00.00.0000		M8X25			5	0,000	
290	0636.016.401	HEXAGON BOLT	1		00.00.0000		M8X25			5	0,000	
300	0636.016.401	HEXAGON BOLT	1		00.00.0000		M8X25			5	0,000	

VKF Incidence factor

OTK Optional technical kit

ID Identification (output code)

SP Supplier plant





Pos.	Material number	Name	VKF	Amend. no.	Amend. start	Prod. no.	Material feature / tech. info.	OTK	External material no.	ID	Weight	SP
10	1346.203.001	LAYSHAFT	1	C0100849 0E10	00.00.0000	00.00.0000	KPL.6S1000TO			3	0,000	
/10	1346.303.064	LAYSHAFT	1		00.00.0000		E2410			5	0,000	
/20	1250.303.095	THRUST RING	1		00.00.0000					5	0,000	
20	0735.371.994	TAROLLBEARING	1		00.00.0000		33209 FA. FAG			5	0,000	
30	1346.303.046	HELICAL GEAR	1	C0100828 4E10	00.00.0000	00.00.0000	E2410 G3			5	0,000	
40	1346.303.040	HELICAL GEAR	1		00.00.0000		E2410 G4			5	0,000	
50	1346.303.039	HELICAL GEAR	1		00.00.0000		E2410 G6 OD/ KO DD			5	0,000	
60	1346.303.038	HELICAL GEAR	1		00.00.0000		E2410 KO OD / G5 DD			5	0,000	
70	0735.372.217	TAROLLBEARING	1		00.00.0000		45,0X85,0X24,7 FA.SKF			5	0,000	
80	0630.531.076	RETAINING RING	1		00.00.0000		60X3		VOE6645408	5	0,020	
110	---	SHIM	1	C0100865 2E10	00.00.0000	00.00.0000	S= 1,10- 2,05(ABSTUFUNG:0, 05MM)			3	0,000	
---	0730.004.731	SHIM	1		00.00.0000		A=2,05			5	0,000	
---	0730.002.934	SHIM	1	C0100392 6F10	00.00.0000	00.00.0000	A=2,00			5	0,000	
---	0730.003.435	SHIM	1		00.00.0000		A=1,95			5	0,000	
---	0730.002.935	SHIM	1	C0100392 6F10	00.00.0000	00.00.0000	A=1,90			5	0,000	
---	0730.003.434	SHIM	1		00.00.0000		A=1,85			5	0,000	
---	0730.002.936	SHIM	1	C0100392 6F10	00.00.0000	00.00.0000	A=1,80			5	0,000	
---	0730.003.433	SHIM	1		00.00.0000		A=1,75			5	0,000	
---	0730.002.937	SHIM	1	C0100392 6F10	00.00.0000	00.00.0000	A=1,70			5	0,000	
---	0730.003.432	SHIM	1		00.00.0000		A=1,65			5	0,000	
---	0730.002.938	SHIM	1	C0100392 6F10	00.00.0000	00.00.0000	A=1,60			5	0,000	
---	0730.003.431	SHIM	1		00.00.0000		A=1,55			5	0,000	
---	0730.002.939	SHIM	1	C0100392 6F10	00.00.0000	00.00.0000	A=1,50			5	0,000	

VKF Incidence factor

OTK Optional technical kit

ID Identification (output code)

SP Supplier plant



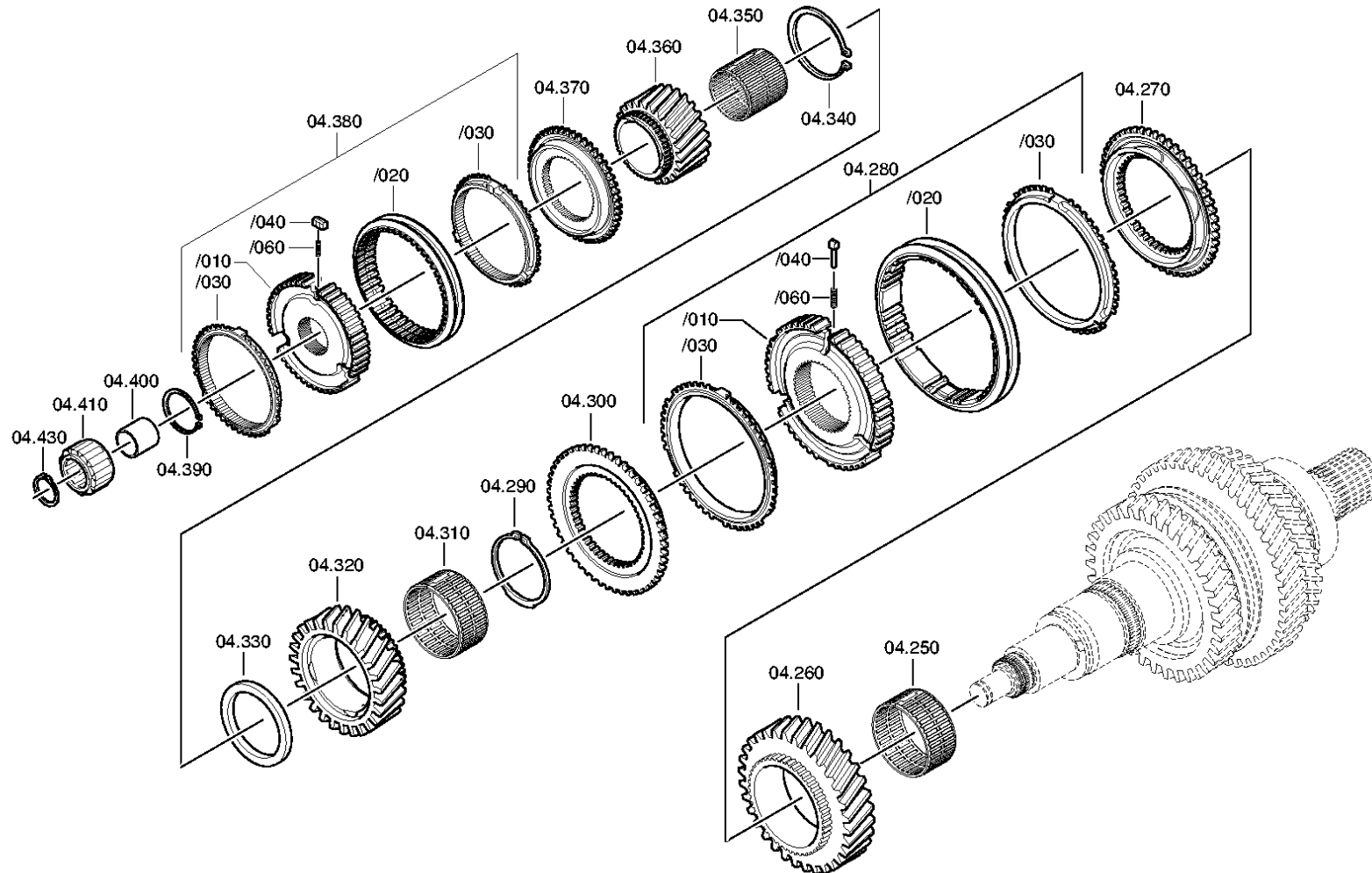
Pos.	Material number	Name	VKF	Amend. no.	Amend. start	Prod. no.	Material feature / tech. info.	OTK	External material no.	ID	Weight	SP
---	0730.003.430	SHIM	1		00.00.0000		A=1,45			5	0,000	
---	0730.002.940	SHIM	1	C0100392 6F10	00.00.0000	00.00.0000	A=1,40			5	0,000	
---	0730.003.429	SHIM	1		00.00.0000		A=1,35			5	0,000	
---	0730.002.941	SHIM	1	C0100392 6F10	00.00.0000	00.00.0000	A=1,30			5	0,000	
---	0730.004.706	SHIM	1		00.00.0000		A=1,25			5	0,000	
---	0730.002.942	SHIM	1	C0100392 6F10	00.00.0000	00.00.0000	A=1,20			5	0,000	
---	0730.004.705	SHIM	1		00.00.0000		A=1,15			5	0,000	
---	0730.002.943	SHIM	1	C0100392 6F10	00.00.0000	00.00.0000	A=1,10			5	0,000	

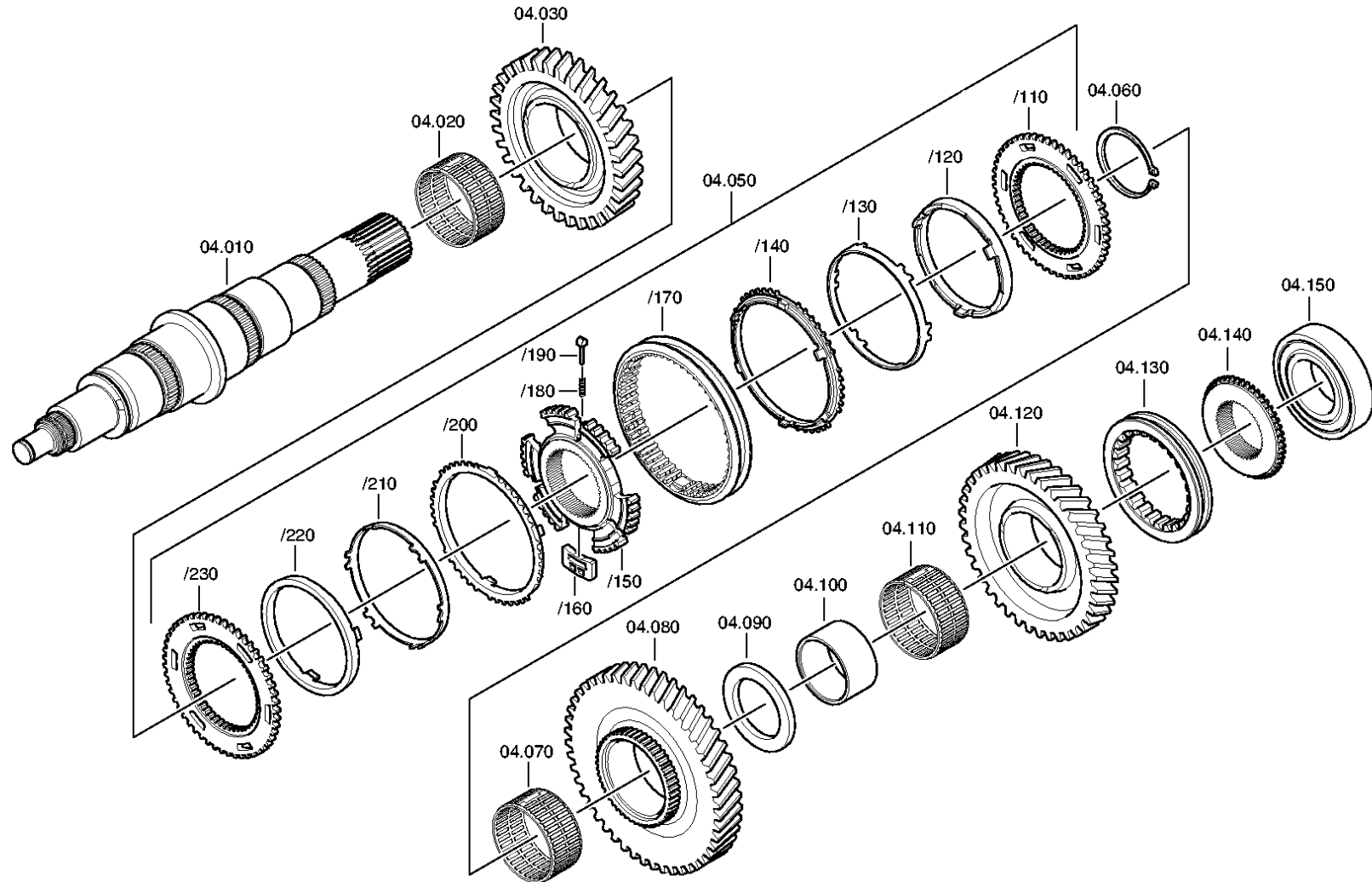
VKF Incidence factor

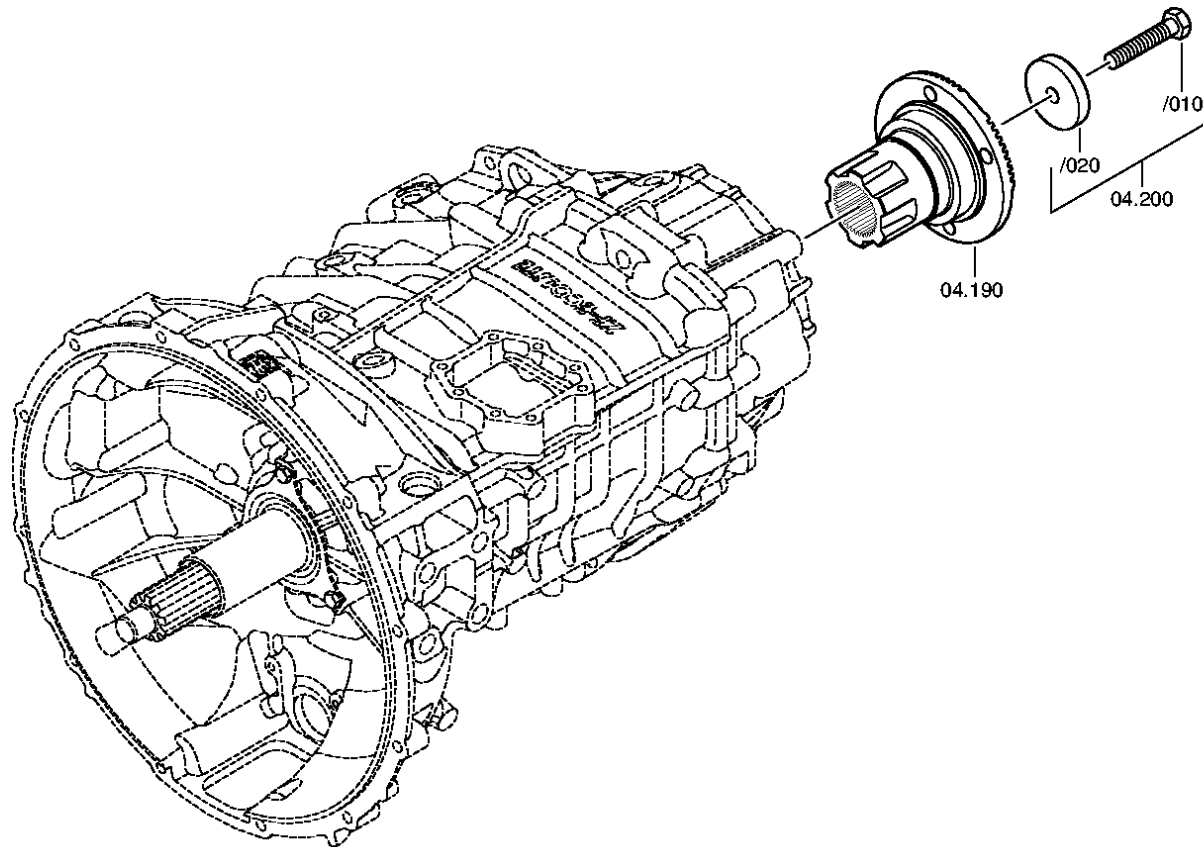
OTK Optional technical kit

ID Identification (output code)

SP Supplier plant









Pos.	Material number	Name	VKF	Amend. no.	Amend. start	Prod. no.	Material feature / tech. info.	OTK	External material no.	ID	Weight	SP
10	1346.304.107	MAIN SHAFT	1		00.00.0000		E2410			5	0,000	
20	0750.115.567	NEEDLE CAGE	1		00.00.0000		E2408 80,0X88,0X41,8			3	0,000	
30	1346.304.054	HELICAL GEAR	1		00.00.0000		E2410 G2			5	0,000	
50	1346.204.001	SYNCHRONIZER	1		00.00.0000		KPL.ZF-D*D=135/128 7,5			3	0,000	
/110	1346.304.092	CLUTCH DISC	1	C0100444 4E10	00.00.0000	00.00.0000	ZF-D 135/128			5	0,000	
/120	---	INNER RING	1	C0100439 8F10	00.00.0000	00.00.0000	D135/128			3	0,000	
---	1346.304.039	INNER RING	1		00.00.0000					5	0,000	
---	1346.304.032	INNER RING	1		00.00.0000		ZF-D135/128 7.5GR			5	0,000	
/130	1346.304.038	INTERMRING	1		00.00.0000		ZF-D135/128 MO-MASS 7.5GR			5	0,000	
/140	1346.304.033	OUTER RING	1		00.00.0000		ZF-D135/128 7.5GR			5	0,000	
/150	1346.304.091	SYNCHROBODY	1	C0100442 2E10	00.00.0000	00.00.0000	ZF-D 135/128			5	0,000	
/160	1312.304.159	COUPLING ELEMENT	3		00.00.0000					5	0,030	
/170	6002.305.994	SLIDING SLEEVE	1		00.00.0000					5	0,000	
/180	0732.040.409	COMPRSPRING	3		00.00.0000					5	0,002	
/190	1297.304.436	PRESSURE PIECE	3		00.00.0000					5	0,004	
/200	1346.304.033	OUTER RING	1		00.00.0000		ZF-D135/128 7.5GR			5	0,000	
/210	1346.304.038	INTERMRING	1		00.00.0000		ZF-D135/128 MO-MASS 7.5GR			5	0,000	
/220	---	INNER RING	1	C0100439 8F10	00.00.0000	00.00.0000	D135/128			3	0,000	
---	1346.304.039	INNER RING	1		00.00.0000					5	0,000	
---	1346.304.032	INNER RING	1		00.00.0000		ZF-D135/128 7.5GR			5	0,000	
/230	1346.304.092	CLUTCH DISC	1	C0100444 4E10	00.00.0000	00.00.0000	ZF-D 135/128			5	0,000	
60	0730.300.991	SNAP RING	1		00.00.0000		75X4 75X4			5	0,000	
70	0735.321.529	NEEDLE CAGE	1		00.00.0000		75,0X83,0X40,0 FA.INA			5	0,000	
80	1346.304.125	HELICAL GEAR	1	C0100121 3F10	00.00.0000	00.00.0000	E2410 G1			5	0,000	
90	0501.322.939	THRUST WASHER	1		00.00.0000					5	0,000	

VKF Incidence factor

OTK Optional technical kit

ID Identification (output code)

SP Supplier plant



Pos.	Material number	Name	VKF	Amend. no.	Amend. start	Prod. no.	Material feature / tech. info.	OTK	External material no.	ID	Weight	SP
100	0735.295.239	INNER RING	1		00.00.0000		66,0X40,0X75,0 FA.INA			5	0,000	
110	0735.321.529	NEEDLE CAGE	1		00.00.0000		75,0X83,0X40,0 FA.INA			5	0,000	
120	1346.304.167	HELICAL GEAR	1		00.00.0000		E2410 RG KLAUE			5	0,000	
130	1308.304.087	SLIDING SLEEVE	1		00.00.0000		RG-KLAUE			5	0,000	
140	1346.304.177	CLUTCH BODY	1	Z0000432 2210	16.06.2009	16.06.2009	RG-KLAUE E2410/E2408			5	0,000	
150	0735.330.799	BALL BEARING	1		00.00.0000		55,0X120,0X29,0 FA.SKF			5	0,000	
190	1346.304.086	OUTPUT FLANGE	1		00.00.0000		E2410/E2408 , D=155MM			5	0,000	
200	---	HEXAGON BOLT	1		00.00.0000		FLANSCHBEFESTIGUNG*E24 M14X1,5X75			3	0,000	
---	0636.100.541	HEXAGON BOLT	1	Z0000728 4710	31.01.2011	31.01.2011	M14X1,5X75			5	0,000	
---	0730.113.920	WASHER	1		00.00.0000		A=14,00 ABTR.FLANSCH			5	0,000	
250	0750.115.567	NEEDLE CAGE	1		00.00.0000		E2408 80,0X88,0X41,8			3	0,000	
260	1346.304.136	HELICAL GEAR	1		00.00.0000		E2410 G3			5	0,000	
270	1346.304.094	CLUTCH BODY	1	C0100442 9E10	00.00.0000	00.00.0000	ENTHALT.IN 1310 304 160(1)			5	0,000	
280	1346.204.005	SYNCHRONIZER	1		00.00.0000		KPL.ZF*BK131*3/4GG			3	0,000	
/10	1346.304.025	SYNCHROBODY	1		00.00.0000					5	0,000	
/20	1310.304.195	SLIDING SLEEVE	1		00.00.0000		ZF-BK131			5	0,000	
/30	1268.304.594	SYNCHRORING	2		00.00.0000		ZFBK 131			5	0,000	
/40	1297.304.436	PRESSURE PIECE	3		00.00.0000					5	0,004	
/60	0732.040.409	COMPRSPRING	3		00.00.0000					5	0,002	
290	0730.501.762	RETAINING RING	1		00.00.0000					5	0,000	
300	1346.304.093	CLUTCH BODY	1		00.00.0000		ENTHALT.IN 1310 304 160(1)			5	0,000	
310	0750.115.566	NEEDLE CAGE	1		00.00.0000		E2410G4 72,0X80,0X35,8		7420916626	3	0,000	
320	1346.304.099	HELICAL GEAR	1		00.00.0000		E2410 G4			5	0,000	
330	0501.323.702	THRUST WASHER	1	C0100015 0F10	00.00.0000	00.00.0000	TIMKEN		1820650	5	0,000	
340	0730.300.992	SNAP RING	1		00.00.0000		70X4 70X4		1827893	5	0,000	
350	0750.115.565	NEEDLE CAGE	1		00.00.0000		E2410 50,0X56,0X53,8			3	0,000	

VKF Incidence factor

OTK Optional technical kit

ID Identification (output code)

SP Supplier plant



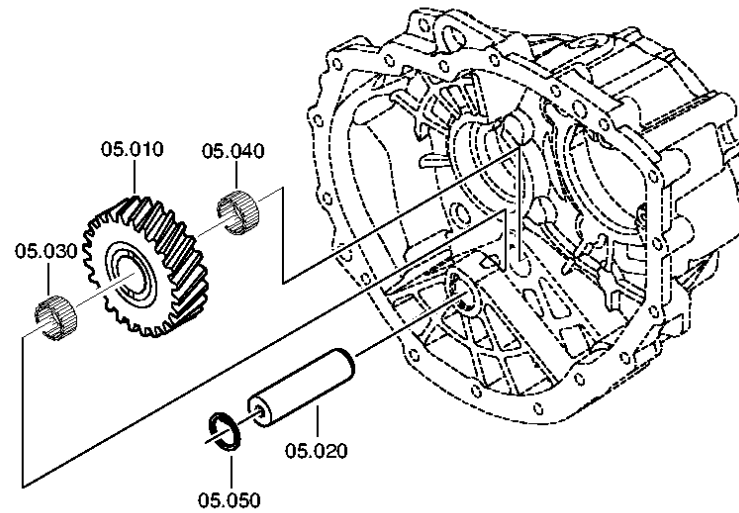
Pos.	Material number	Name	VKF	Amend. no.	Amend. start	Prod. no.	Material feature / tech. info.	OTK	External material no.	ID	Weight	SP
360	1346.304.048	HELICAL GEAR	1		00.00.0000		E2410 G6 OD			5	0,000	
370	1346.304.047	CLUTCH BODY	1		00.00.0000		E2410			5	0,000	
380	1346.204.004	SYNCHRONIZER	1		00.00.0000		KPL.ZF*B100III*5/6GG* STAHL			3	0,000	
/10	1346.304.118	SYNCHROBODY	1	C0100248 5F10	00.00.0000	00.00.0000	ZF-B 100 III			5	0,000	
/20	1333.304.061	SLIDING SLEEVE	1		00.00.0000		1/2G			5	0,000	
/30	1317.304.150	SYNCHRO RING	2		00.00.0000					5	0,000	
/40	1317.304.081	PRESSURE PIECE	3		00.00.0000					5	0,000	
/60	0732.042.510	COMPRSPRING	3		00.00.0000					5	0,000	
390	0630.531.050	RETAINING RING	1		00.00.0000		40X2,5		VOE7339742	5	0,010	
400	0735.295.223	INNER RING	1		00.00.0000		25,0X30,0X29,0 FA.TIMKEN			5	0,000	
410	0735.358.346	ROLLER CAGE	1	C0100688 0E10	00.00.0000	00.00.0000	30,0X50,0X29,8 FA.TIMKEN			5	0,000	
430	0630.513.070	SNAP RING	1		00.00.0000				35052700	5	0,001	

VKF Incidence factor

OTK Optional technical kit

ID Identification (output code)

SP Supplier plant





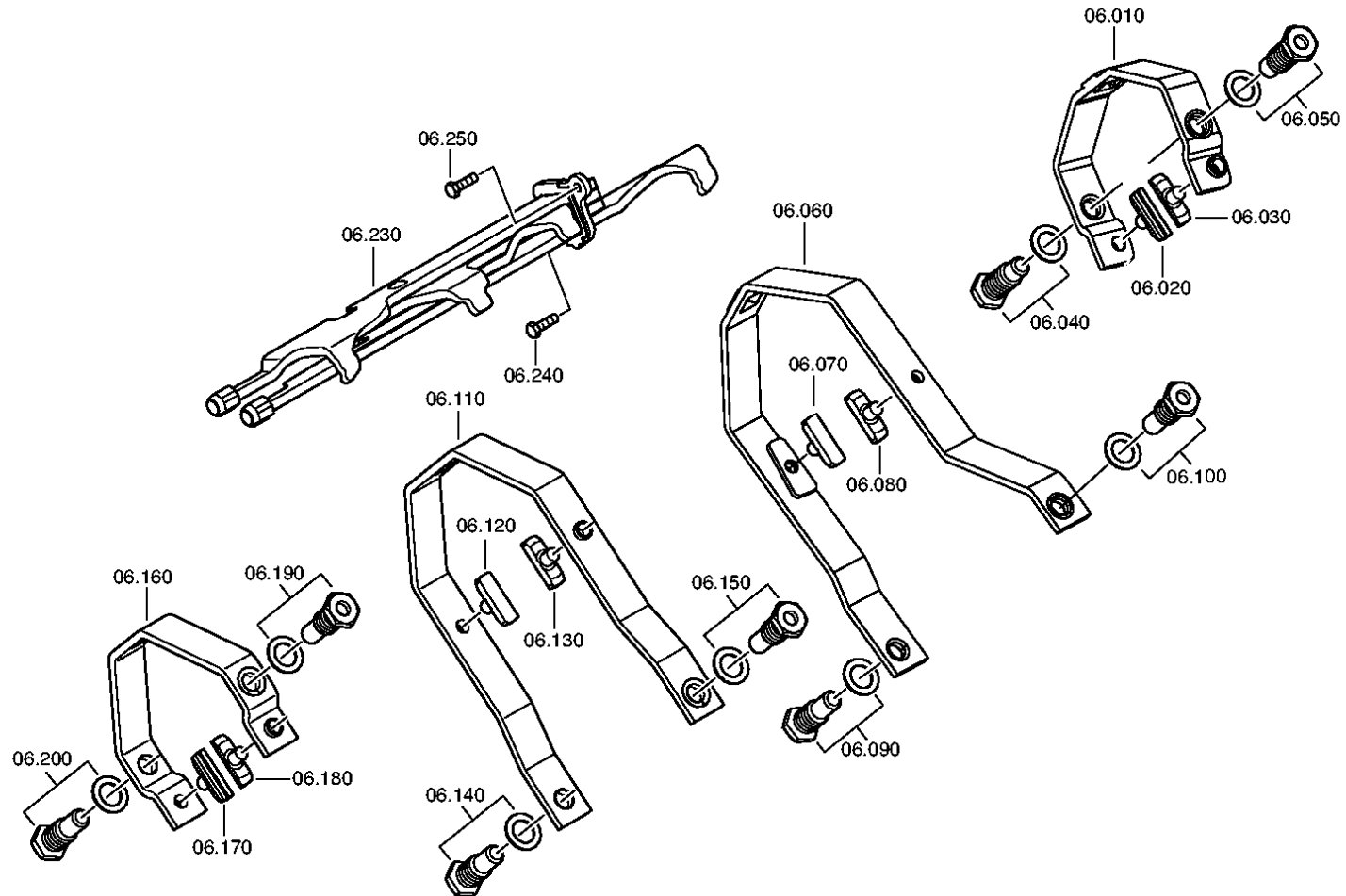
Pos.	Material number	Name	VKF	Amend. no.	Amend. start	Prod. no.	Material feature / tech. info.	OTK	External material no.	ID	Weight	SP
10	1346.305.057	REVERSE IDLER GEAR	1		00.00.0000		E2410 RG			5	0,000	
20	1346.305.039	REVERSE IDLER SHAFT	1	C0100442 4F10	00.00.0000	00.00.0000	E24			5	0,000	
30	0635.300.110	NEEDLE CAGE	1		00.00.0000		28X35X18			5	0,000	
40	0635.300.110	NEEDLE CAGE	1		00.00.0000		28X35X18			5	0,000	
50	0630.502.014	RETAINING RING	1		00.00.0000		28X1,2		SA 8320-01770	5	0,002	

VKF Incidence factor

OTK Optional technical kit

ID Identification (output code)

SP Supplier plant





Pos.	Material number	Name	VKF	Amend. no.	Amend. start	Prod. no.	Material feature / tech. info.	OTK	External material no.	ID	Weight	SP
10	0501.217.826	GEAR SHIFT FORK	1		00.00.0000		KPL. RG KLAUE		1853686	5	0,000	
20	1290.306.423	SLIDING PAD	1		00.00.0000		ENTHALT.IN 1290 306 422(2)			5	0,000	
30	1290.306.423	SLIDING PAD	1		00.00.0000		ENTHALT.IN 1290 306 422(2)			5	0,000	
40	---	ARTICULATION BOLT	1		00.00.0000		O.INDUKT-HAERTUNG* LANGES GEWINDE M18X1,5			3	0,000	
---	1346.306.082	ARTICULATION BOLT	1		00.00.0000					5	0,000	
---	0730.301.379	SPRING WASHER	1	Z0000916 0711	01.01.2012	01.01.2012	19X28 19X28			5	0,000	
50	---	ARTICULATION BOLT	1		00.00.0000		O.INDUKT-HAERTUNG* LANGES GEWINDE M18X1,5			3	0,000	
---	1346.306.082	ARTICULATION BOLT	1		00.00.0000					5	0,000	
---	0730.301.379	SPRING WASHER	1	Z0000916 0711	01.01.2012	01.01.2012	19X28 19X28			5	0,000	
60	0501.217.827	GEAR SHIFT FORK	1		00.00.0000		KPL. 1/2		1853687	5	0,000	
70	1290.306.066	SLIDING PAD	1		00.00.0000				1000001039	5	0,037	
80	1290.306.066	SLIDING PAD	1		00.00.0000				1000001039	5	0,037	
90	---	ARTICULATION BOLT	1		00.00.0000		O.INDUKT-HAERTUNG M18X1,5			3	0,000	
---	1346.306.088	ARTICULATION BOLT	1	Z0000892 7610	01.01.2011	01.01.2011				5	0,000	
---	0730.301.379	SPRING WASHER	1	Z0000916 0711	01.01.2012	01.01.2012	19X28 19X28			5	0,000	
100	---	ARTICULATION BOLT	1		00.00.0000		O.INDUKT-HAERTUNG M18X1,5			3	0,000	
---	1346.306.088	ARTICULATION BOLT	1	Z0000892 7610	01.01.2011	01.01.2011				5	0,000	
---	0730.301.379	SPRING WASHER	1	Z0000916 0711	01.01.2012	01.01.2012	19X28 19X28			5	0,000	
110	0501.217.828	GEAR SHIFT FORK	1		00.00.0000		KPL. 3/4 E2410		1853691	5	0,000	
120	1290.306.066	SLIDING PAD	1		00.00.0000				1000001039	5	0,037	

VKF Incidence factor

OTK Optional technical kit

ID Identification (output code)

SP Supplier plant



Pos.	Material number	Name	VKF	Amend. no.	Amend. start	Prod. no.	Material feature / tech. info.	OTK	External material no.	ID	Weight	SP
130	1290.306.066	SLIDING PAD	1		00.00.0000				1000001039	5	0,037	
140	---	ARTICULATION BOLT	1		00.00.0000		O.INDUKT-HAERTUNG M18X1,5			3	0,000	
---	1346.306.088	ARTICULATION BOLT	1	Z0000892 7610	01.01.2011	01.01.2011				5	0,000	
---	0730.301.379	SPRING WASHER	1	Z0000916 0711	01.01.2012	01.01.2012	19X28 19X28			5	0,000	
150	---	ARTICULATION BOLT	1		00.00.0000		O.INDUKT-HAERTUNG M18X1,5			3	0,000	
---	1346.306.088	ARTICULATION BOLT	1	Z0000892 7610	01.01.2011	01.01.2011				5	0,000	
---	0730.301.379	SPRING WASHER	1	Z0000916 0711	01.01.2012	01.01.2012	19X28 19X28			5	0,000	
160	0501.217.830	GEAR SHIFT FORK	1		00.00.0000		KPL. 5/6 OD		1853688	5	0,000	
170	1290.306.423	SLIDING PAD	1		00.00.0000		ENTHALT.IN 1290 306 422(2)			5	0,000	
180	1290.306.423	SLIDING PAD	1		00.00.0000		ENTHALT.IN 1290 306 422(2)			5	0,000	
190	---	ARTICULATION BOLT	1		00.00.0000		O.INDUKT-HAERTUNG M18X1,5			3	0,000	
---	1346.306.088	ARTICULATION BOLT	1	Z0000892 7610	01.01.2011	01.01.2011				5	0,000	
---	0730.301.379	SPRING WASHER	1	Z0000916 0711	01.01.2012	01.01.2012	19X28 19X28			5	0,000	
200	---	ARTICULATION BOLT	1		00.00.0000		O.INDUKT-HAERTUNG M18X1,5			3	0,000	
---	1346.306.088	ARTICULATION BOLT	1	Z0000892 7610	01.01.2011	01.01.2011				5	0,000	
---	0730.301.379	SPRING WASHER	1	Z0000916 0711	01.01.2012	01.01.2012	19X28 19X28			5	0,000	
230	0501.217.832	DRAG LINK	1		00.00.0000		KPL. E2408/10		1853689	5	0,000	
240	0636.100.613	HEXAGON BOLT	1	Z0000706 7611	16.03.2011	16.03.2011	M6X20			5	0,000	

VKF Incidence factor

OTK Optional technical kit

ID Identification (output code)

SP Supplier plant



Pos.	Material number	Name	VKF	Amend. no.	Amend. start	Prod. no.	Material feature / tech. info.	OTK	External material no.	ID	Weight	SP
250	0636.100.613	HEXAGON BOLT	1	Z0000706 7611	16.03.2011	16.03.2011	M6X20			5	0,000	

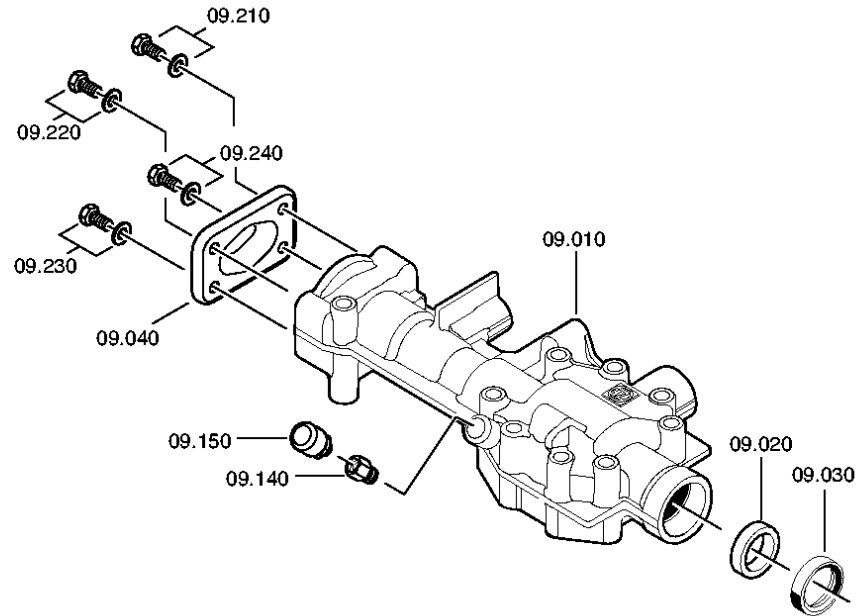
VKF Incidence factor

OTK Optional technical kit

ID Identification (output code)

SP Supplier plant

Material number: 1346.082.007 6 S 1000 TO /
Plant: 150.09.04-1 GEAR SHIFT HOUSING
Material-assembly-group-no: 1346.109.006





Pos.	Material number	Name	VKF	Amend. no.	Amend. start	Prod. no.	Material feature / tech. info.	OTK	External material no.	ID	Weight	SP
10	1346.307.044	GEAR SHIFT HOUSING	1	C0100859 0E10	00.00.0000	00.00.0000	MGS			5	0,000	
20	0730.260.703	BUSH	1		00.00.0000		A=13,70			5	0,000	
30	---	SHAFT SEAL	1		00.00.0000		28X42X11			3	0,000	
---	0734.309.765	SHAFT SEAL	1		00.00.0000		28X42X11 FA.SKT			5	0,000	
40	1341.307.113	COVER	1	Z0000927 1410	01.01.2012	01.01.2012				5	0,000	
140	0731.300.041	THREADED BUSH	1	Z0000916 2110	31.12.2010	31.12.2010				5	0,000	
150	---	BREATHER	1		00.00.0000					3	0,000	
---	0501.202.797	BREATHER	1		00.00.0000				00640762	5	30	
210	---	HEXAGON BOLT	1	Z0000789 1111	01.01.2012	01.01.2012	M8X20			3	0,000	
---	0636.100.796	HEXAGON BOLT	1	Z0000789 1120	08.09.2010	08.09.2010	M8X20			5	0,000	
---	0630.100.295	WASHER	1	Z0000715 8414	30.11.2011	30.11.2011				5	0,000	
220	---	HEXAGON BOLT	1	Z0000789 1111	01.01.2012	01.01.2012	M8X20			3	0,000	
---	0636.100.796	HEXAGON BOLT	1	Z0000789 1120	08.09.2010	08.09.2010	M8X20			5	0,000	
---	0630.100.295	WASHER	1	Z0000715 8414	30.11.2011	30.11.2011				5	0,000	
230	---	HEXAGON BOLT	1	Z0000789 1111	01.01.2012	01.01.2012	M8X20			3	0,000	
---	0636.100.796	HEXAGON BOLT	1	Z0000789 1120	08.09.2010	08.09.2010	M8X20			5	0,000	
---	0630.100.295	WASHER	1	Z0000715 8414	30.11.2011	30.11.2011				5	0,000	
240	---	HEXAGON BOLT	1	Z0000789 1111	01.01.2012	01.01.2012	M8X20			3	0,000	

VKF Incidence factor

OTK Optional technical kit

ID Identification (output code)

SP Supplier plant



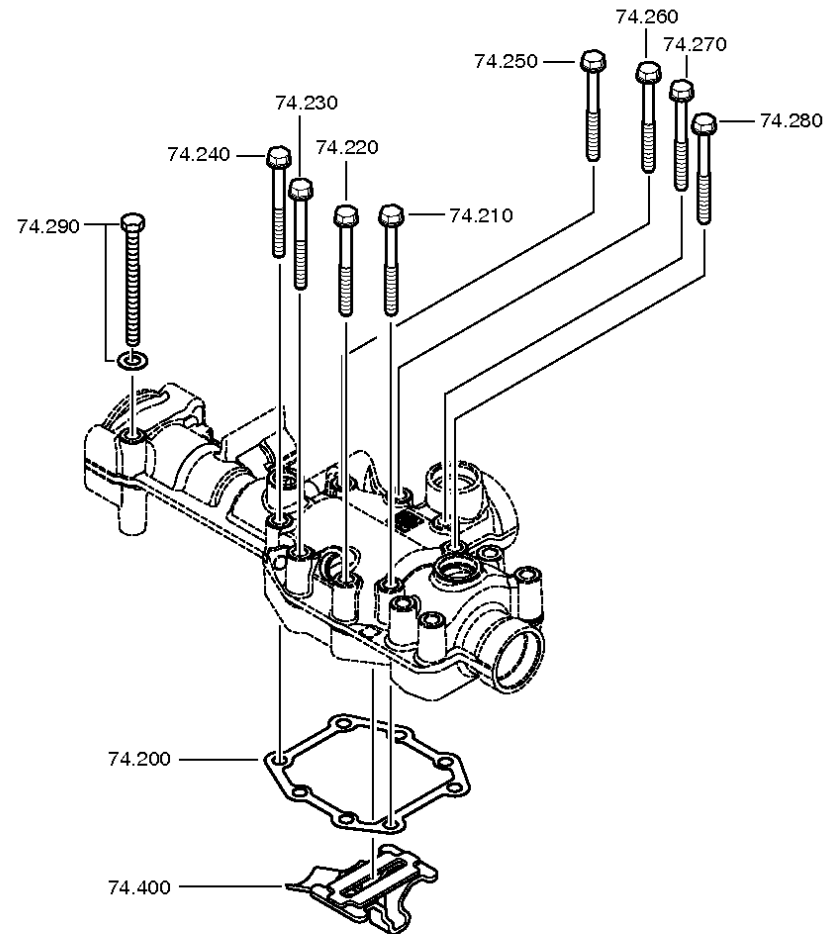
Pos.	Material number	Name	VKF	Amend. no.	Amend. start	Prod. no.	Material feature / tech. info.	OTK	External material no.	ID	Weight	SP
---	0636.100.796	HEXAGON BOLT	1	Z0000789 1120	08.09.2010	08.09.2010	M8X20			5	0,000	
---	0630.100.295	WASHER	1	Z0000715 8414	30.11.2011	30.11.2011				5	0,000	

VKF Incidence factor

OTK Optional technical kit

ID Identification (output code)

SP Supplier plant





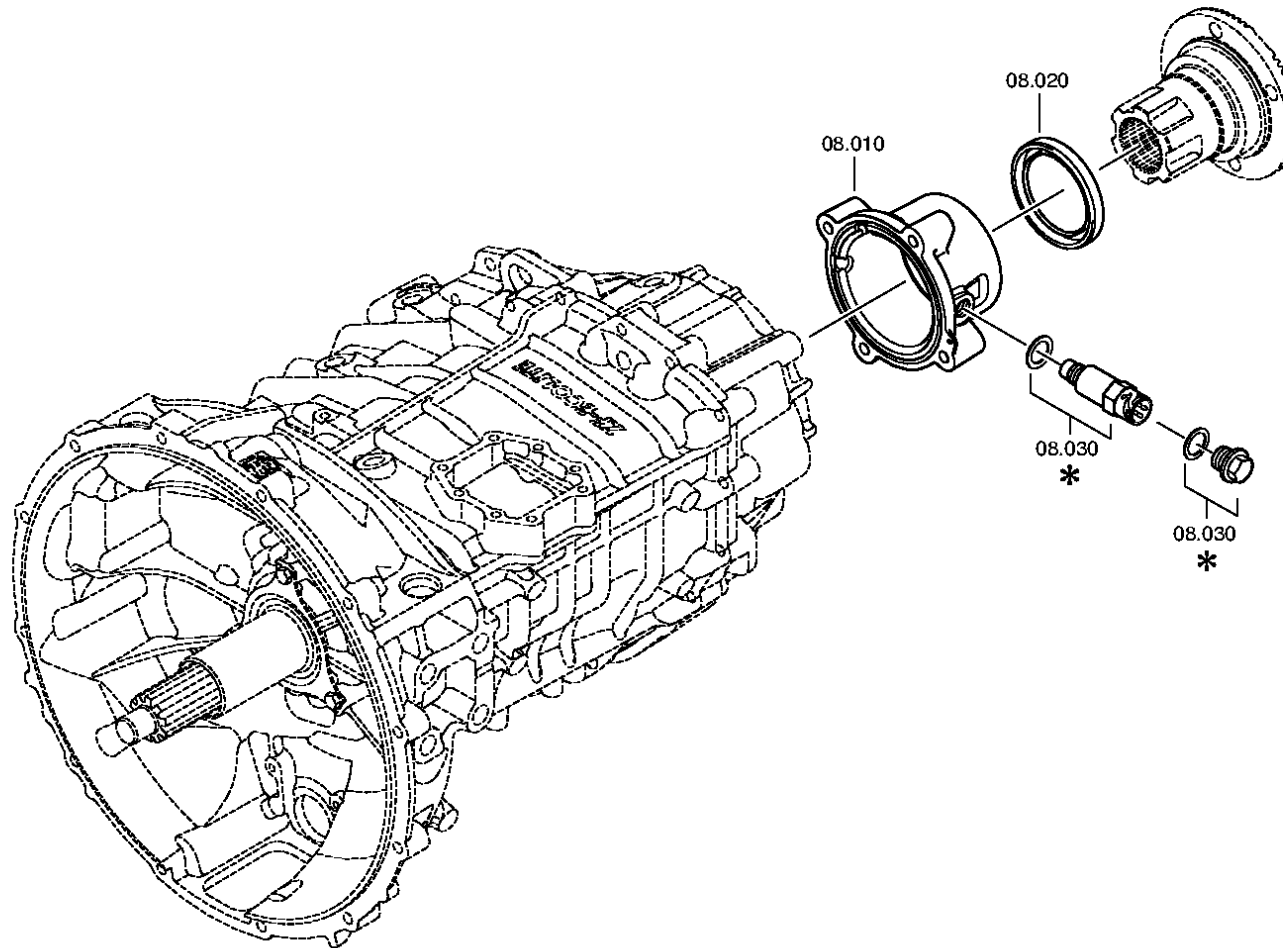
Pos.	Material number	Name	VKF	Amend. no.	Amend. start	Prod. no.	Material feature / tech. info.	OTK	External material no.	ID	Weight	SP
200	1346.307.016	GASKET	1		00.00.0000		SCHALTGEHAEUSE			5	0,000	
210	0736.300.137	HEXAGON BOLT	1	Z0000919 5410	31.12.2011	31.12.2011	M8X80 M8X80			5	0,000	
220	0736.300.137	HEXAGON BOLT	1	Z0000919 5410	31.12.2011	31.12.2011	M8X80 M8X80			5	0,000	
230	0736.300.137	HEXAGON BOLT	1	Z0000919 5410	31.12.2011	31.12.2011	M8X80 M8X80			5	0,000	
240	0736.300.137	HEXAGON BOLT	1	Z0000919 5410	31.12.2011	31.12.2011	M8X80 M8X80			5	0,000	
250	0736.300.137	HEXAGON BOLT	1	Z0000919 5410	31.12.2011	31.12.2011	M8X80 M8X80			5	0,000	
260	0736.300.137	HEXAGON BOLT	1	Z0000919 5410	31.12.2011	31.12.2011	M8X80 M8X80			5	0,000	
270	0736.300.137	HEXAGON BOLT	1	Z0000919 5410	31.12.2011	31.12.2011	M8X80 M8X80			5	0,000	
280	0736.300.137	HEXAGON BOLT	1	Z0000919 5410	31.12.2011	31.12.2011	M8X80 M8X80			5	0,000	
290	---	HEXAGON BOLT	1		00.00.0000		M8X100			3	0,000	
---	0636.100.932	HEXAGON BOLT	1	Z0000843 0010	31.12.2010	31.12.2010	M8X100			5	0,000	
---	0630.100.295	WASHER	1	Z0000715 8414	30.11.2011	30.11.2011				5	0,000	
400	1290.207.003	LOCKING PIECE	1		00.00.0000		KPL.KLT.CGS 1290+CGS/MGS			3	0,000	

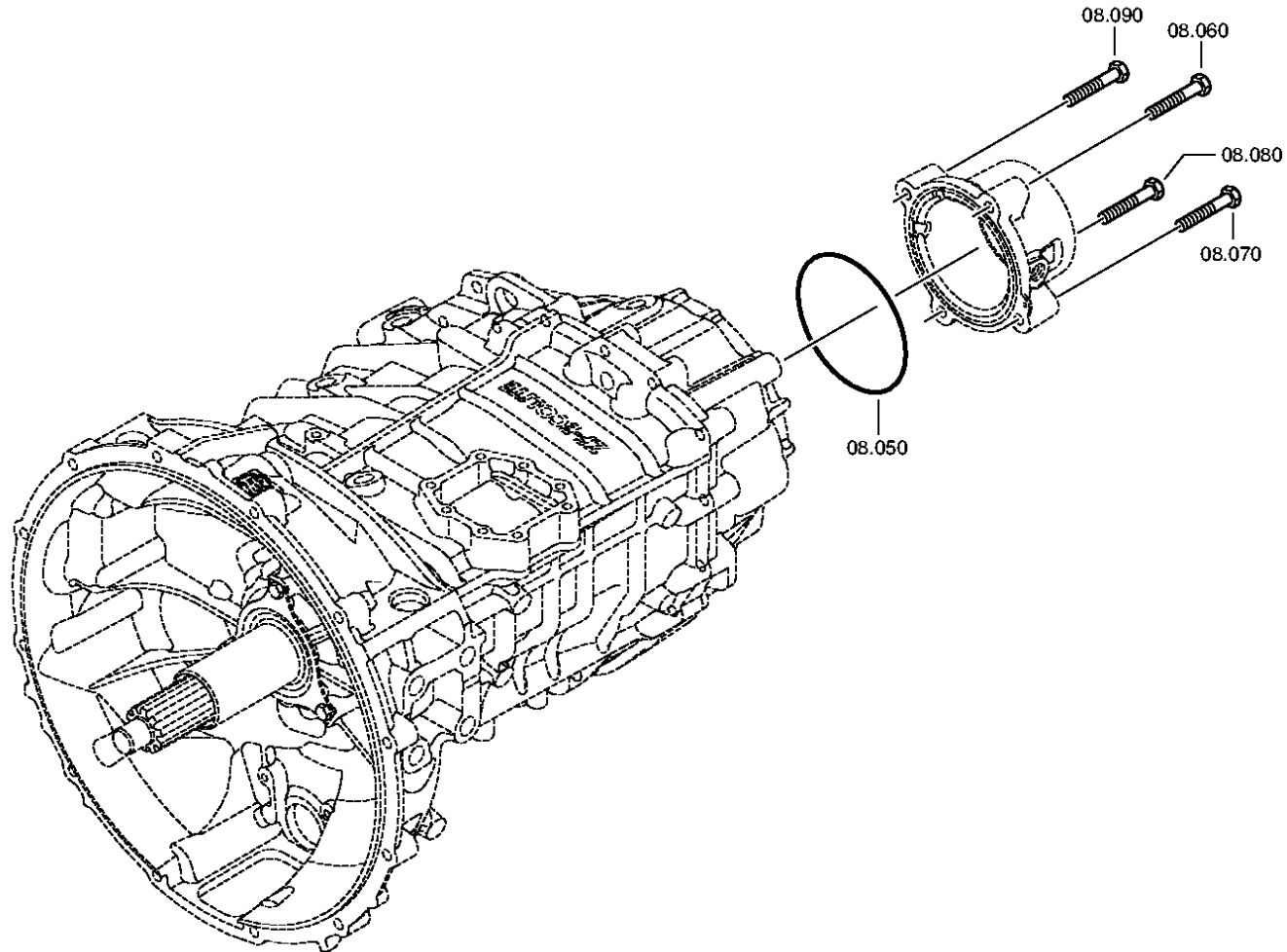
VKF Incidence factor

OTK Optional technical kit

ID Identification (output code)

SP Supplier plant







Pos.	Material number	Name	VKF	Amend. no.	Amend. start	Prod. no.	Material feature / tech. info.	OTK	External material no.	ID	Weight	SP
10	1346.308.002	SPEEDOMETER COVER	1	C0100993 6E10	00.00.0000	00.00.0000	DRUCKGUSS			5	0,000	
20	---	SHAFT SEAL	1		00.00.0000		80X100X10			3	0,000	
---	0750.111.334	SHAFT SEAL	1		00.00.0000		80X100X10		8 8318 0	3	0,000	
30	---	PULSE SENSOR	1		00.00.0000		L=25,0*45N.M*O.DICHTRING *SCHUTZKAPPE*BAJONETT			3	0,000	
---	0501.210.856	PULSE SENSOR	1		00.00.0000					5	0,000	
---	0700.300.427	PROTECTING CAP	1		00.00.0000					5	0,005	
50	0634.306.308	O-RING	1		00.00.0000		128X3			5	4	
60	0636.016.405	HEXAGON BOLT	1	Z0000706 0114	01.01.2012	01.01.2012	M10X60			5	0,000	
70	0636.016.405	HEXAGON BOLT	1	Z0000706 0114	01.01.2012	01.01.2012	M10X60			5	0,000	
80	0636.016.405	HEXAGON BOLT	1	Z0000706 0114	01.01.2012	01.01.2012	M10X60			5	0,000	
90	0636.016.405	HEXAGON BOLT	1	Z0000706 0114	01.01.2012	01.01.2012	M10X60			5	0,000	

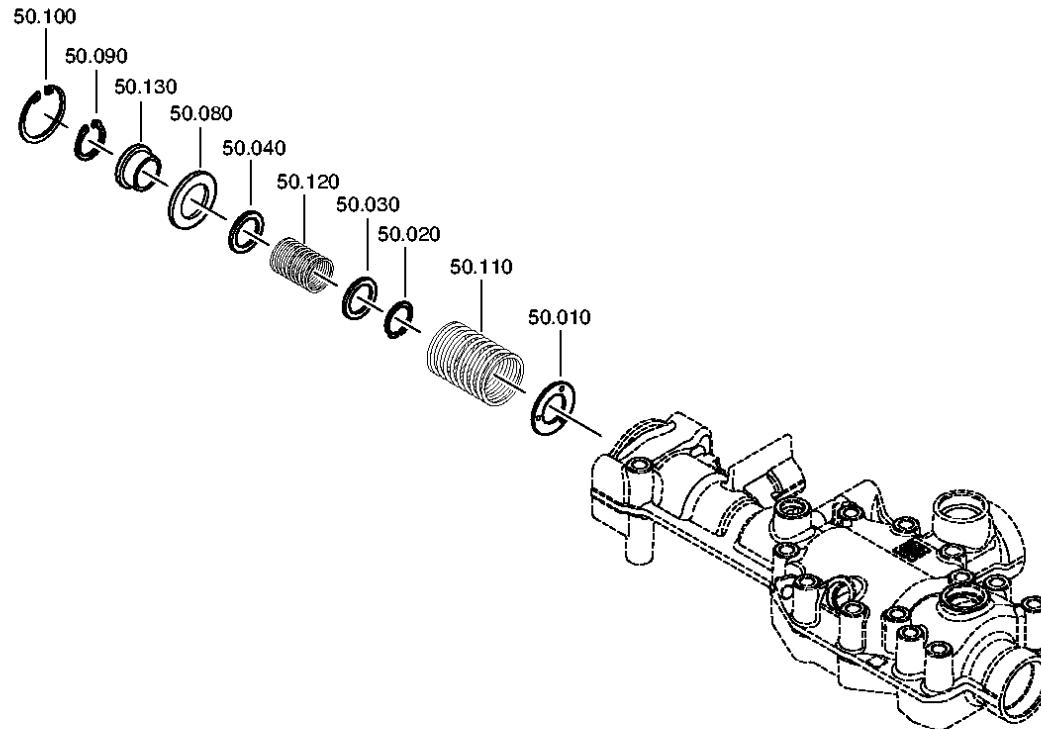
VKF Incidence factor

OTK Optional technical kit

ID Identification (output code)

SP Supplier plant

Material number: 1346.082.007 6 S 1000 TO /
Plant: 150.50.06-1 SET OF SPRINGS
Material-assembly-group-no: 1346.150.020





Pos.	Material number	Name	VKF	Amend. no.	Amend. start	Prod. no.	Material feature / tech. info.	OTK	External material no.	ID	Weight	SP
10	0730.301.376	WASHER	1	Z0000891 7410	31.12.2011	31.12.2011				5	0,000	
20	0630.532.138	V-RING	1		00.00.0000				5004143	5	0,000	
30	0730.301.374	WASHER	1	Z0000891 7310	01.01.2012	01.01.2012	A=2,00 A=2,00			5	0,000	
40	0730.301.374	WASHER	1	Z0000891 7310	01.01.2012	01.01.2012	A=2,00 A=2,00			5	0,000	
80	0730.301.119	WASHER	1	Z0001019 7910	31.12.2010	31.12.2010				5	0,000	
90	0630.532.138	V-RING	1		00.00.0000				5004143	5	0,000	
100	0630.502.022	RETAINING RING	1		00.00.0000		40X1,75			5	4,800	
110	0732.040.765	COMPRSPRING	1		00.00.0000					5	0,000	
120	0732.041.499	COMPRSPRING	1		00.00.0000					5	0,000	
130	1346.307.367	BUSH	1	Z0000892 9410	25.02.2011	25.02.2011				5	0,000	

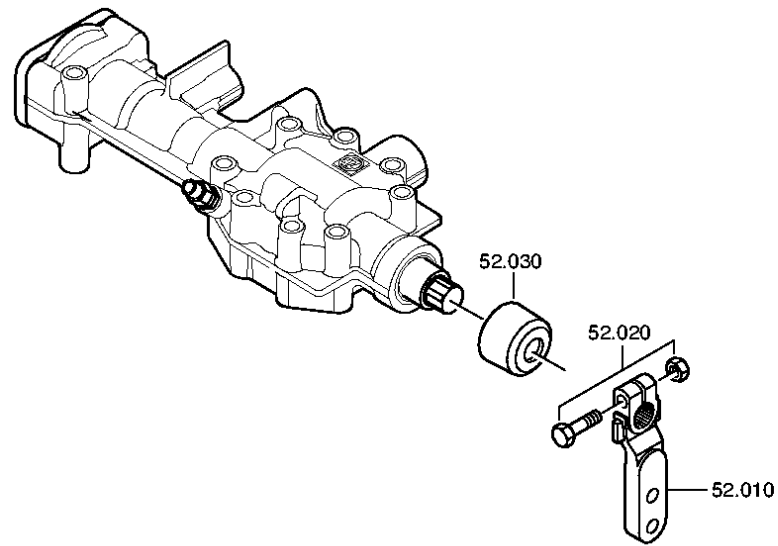
VKF Incidence factor

OTK Optional technical kit

ID Identification (output code)

SP Supplier plant

Material number: 1346.082.007 6 S 1000 TO /
Plant: 150.52.04-1 LEVER
Material-assembly-group-no: 1346.152.002





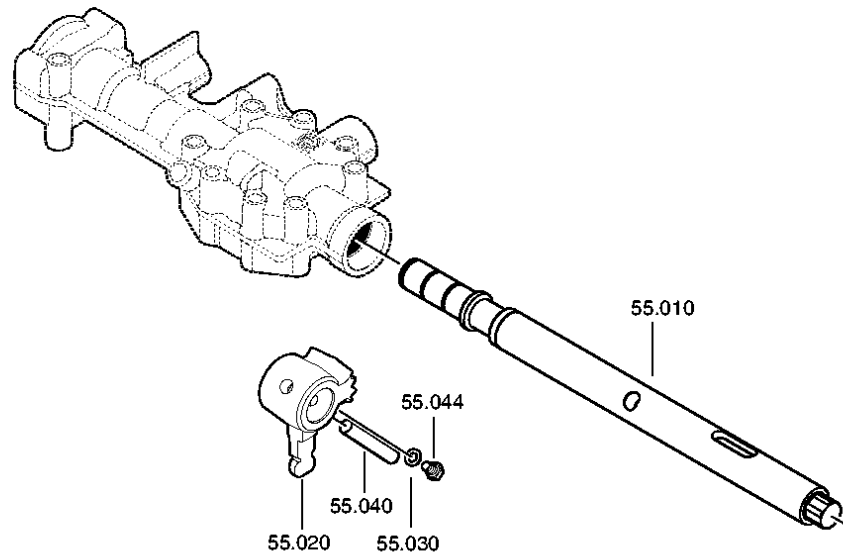
Pos.	Material number	Name	VKF	Amend. no.	Amend. start	Prod. no.	Material feature / tech. info.	OTK	External material no.	ID	Weight	SP
10	1346.307.354	GEAR SHIFT LEVER	1		00.00.0000					5	0,000	
20	---	BOLT+NUT	1	Z0001229 7710	31.12.2011	31.12.2011	M10X65			3	0,000	
---	0636.100.713	HEXAGON BOLT	1	Z0000789 0810	23.03.2011	23.03.2011	M10X65			5	0,000	
---	0637.100.419	HEXAGON NUT	1	Z0000789 2710	01.03.2012	01.03.2012	M10			5	0,000	
30	0501.326.388	PROTECTING CAP	1		00.00.0000		SCHALTWELLE F.6-GANG GETRIEBE			5	0,000	

VKF Incidence factor

OTK Optional technical kit

ID Identification (output code)

SP Supplier plant





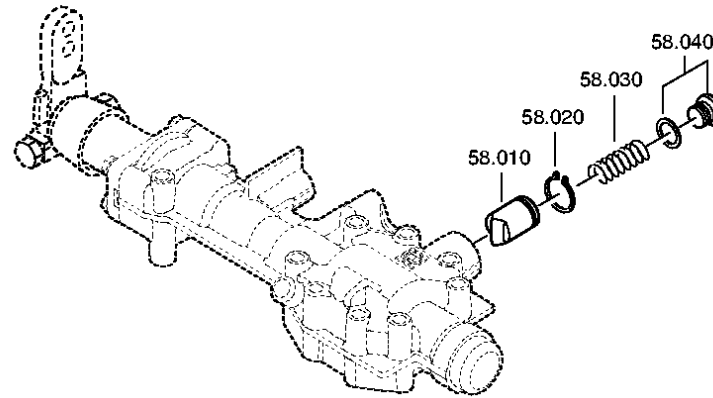
Pos.	Material number	Name	VKF	Amend. no.	Amend. start	Prod. no.	Material feature / tech. info.	OTK	External material no.	ID	Weight	SP
10	1346.307.328	GEAR SHIFT SHAFT	1		00.00.0000		MGS LL+KOMBIRASTE			5	0,000	
12	0750.199.019	GREASE	3		00.00.0000		KLASSE A			3	0,000	
20	1346.307.048	DRIVER	1		00.00.0000		MGS RL AND LL			5	0,000	
22	0750.199.019	GREASE	3		00.00.0000		KLASSE A			3	0,000	
30	0630.003.005	WASHER	1		00.00.0000					5	0,000	
40	0631.315.522	CYLINDRICAL PIN	1		00.00.0000		10X45			5	0,000	
44	---	HEXAGON BOLT	1		00.00.0000		M6X10			3	0,000	
---	0636.015.032	HEXAGON BOLT	1		00.00.0000		M6X10			5	4	

VKF Incidence factor

OTK Optional technical kit

ID Identification (output code)

SP Supplier plant





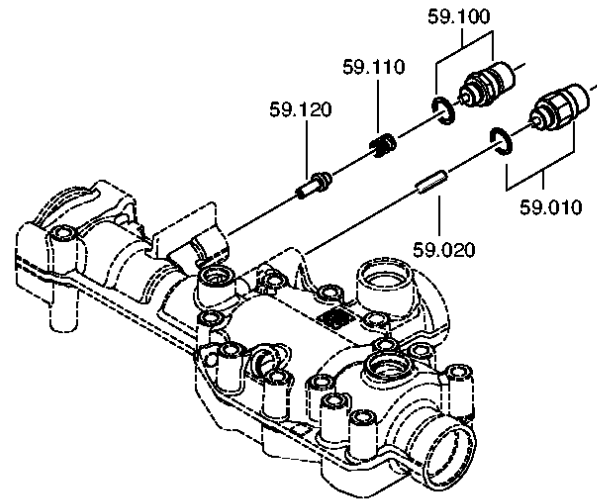
Pos.	Material number	Name	VKF	Amend. no.	Amend. start	Prod. no.	Material feature / tech. info.	OTK	External material no.	ID	Weight	SP
10	1346.307.051	LOCKING PIN	1	C0100861 6E10	00.00.0000	00.00.0000	MGS LHD UND RHD			5	0,000	
20	---	RETAINING RING	1		00.00.0000		S= 1,35- 1,85(ABSTUFUNG:0, 10MM)			3	0,000	
---	0730.501.805	RETAINING RING	1		00.00.0000		A=1,85			5	0,000	
---	0630.501.367	RETAINING RING	1		00.00.0000		20X1,75			5	0,000	
---	0630.501.368	RETAINING RING	1		00.00.0000		20X1,65			5	0,000	
---	0630.501.369	RETAINING RING	1		00.00.0000		20X1,55			5	0,000	
---	0630.501.376	RETAINING RING	1		00.00.0000		20X1,45			5	0,000	
---	0630.501.377	RETAINING RING	1		00.00.0000		20X1,35			5	0,000	
30	0732.042.991	COMPRSPRING	1		00.00.0000		RASTIERG.O.INT.SERVO 6G			5	0,000	
40	---	SCREW PLUG	1	Z0001011 1811	01.01.2012	01.01.2012	M30X1,5			3	0,000	
---	0636.302.610	SCREW PLUG	1	Z0001011 1810	04.11.2010	04.11.2010	M30X1,5			5	0,000	
---	0634.801.097	SEALING RING	1	Z0001011 1810	04.11.2010	04.11.2010	30X36			5	0,019	

VKF Incidence factor

OTK Optional technical kit

ID Identification (output code)

SP Supplier plant





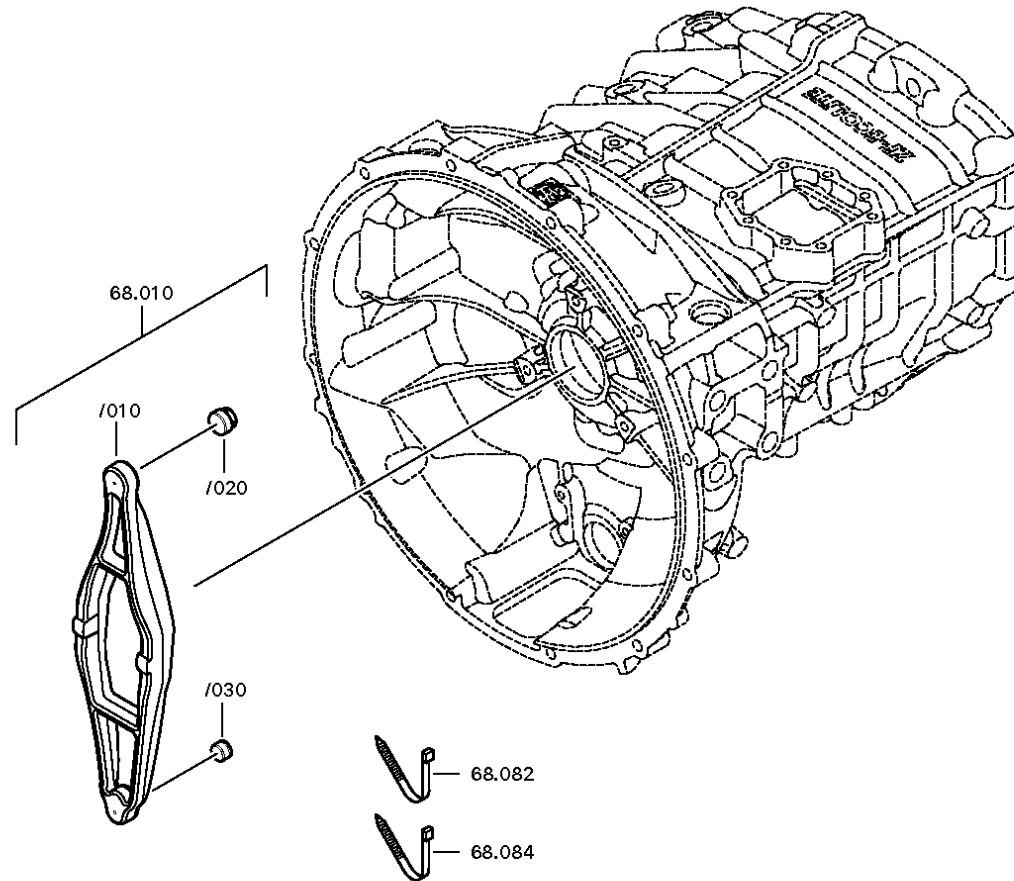
Pos.	Material number	Name	VKF	Amend. no.	Amend. start	Prod. no.	Material feature / tech. info.	OTK	External material no.	ID	Weight	SP
10	---	SWITCH	1		00.00.0000		OEFF*45N.M*DICHTRING* BAJONETT*SCHUTZKAPPE			3	0,000	
---	0501.216.474	SWITCH	1		00.00.0000					5	0,050	
---	0634.801.062	SEALING RING	1		00.00.0000		18X24			5	0,001	
---	0700.300.427	PROTECTING CAP	1		00.00.0000					5	0,005	
20	0731.201.757	PIN	1		00.00.0000		ENTHALT.IN 0731 201 445(2)			5	0,000	
100	---	SWITCH	1		00.00.0000		SCHL*45N.M*DICHTRING* BAJONETT*SCHUTZKAPPE			3	0,000	
---	0501.210.058	SWITCH	1		00.00.0000		KPL.		1864900531	5	0,000	
---	0634.801.062	SEALING RING	1		00.00.0000		18X24			5	0,001	
---	0700.300.427	PROTECTING CAP	1		00.00.0000					5	0,005	
110	0732.041.612	COMPRSPRING	1		00.00.0000					5	0,000	
120	1315.307.414	BOLT	1	C0100518 4F10	00.00.0000	00.00.0000				5	0,000	

VKF Incidence factor

OTK Optional technical kit

ID Identification (output code)

SP Supplier plant





Pos.	Material number	Name	VKF	Amend. no.	Amend. start	Prod. no.	Material feature / tech. info.	OTK	External material no.	ID	Weight	SP
10	6060.268.030	RELEASE FORK	1		00.00.0000		KPL. I=2,05			3	0,000	
/10	6060.368.043	RELEASE FORK	1		00.00.0000		I=2,05			5	0,000	
/20	0501.324.061	BALL CUP	1		00.00.0000					5	0,000	
/30	0501.315.159	BALL CUP	1		00.00.0000		KS12-18-12			5	0,000	
82	0659.160.033	CABLE CLIP	1	Z0000746 0510	15.04.2010	15.04.2010				5	0,002	
84	0659.160.033	CABLE CLIP	1	Z0000746 0510	15.04.2010	15.04.2010				5	0,002	

VKF Incidence factor

OTK Optional technical kit

ID Identification (output code)

SP Supplier plant