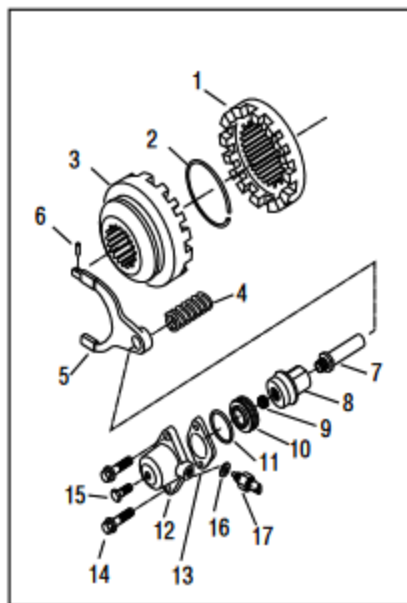
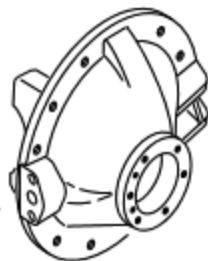


Lockout design after 11/2/98

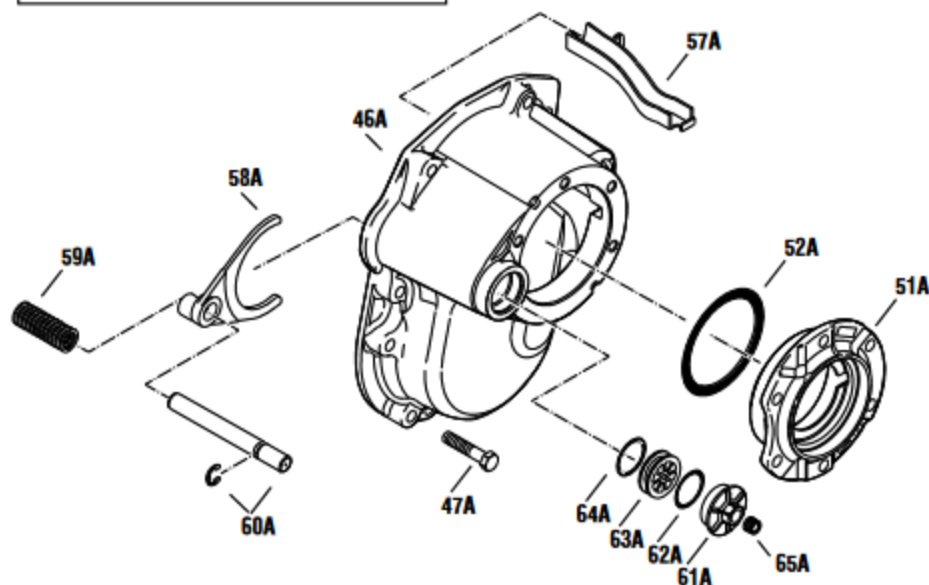
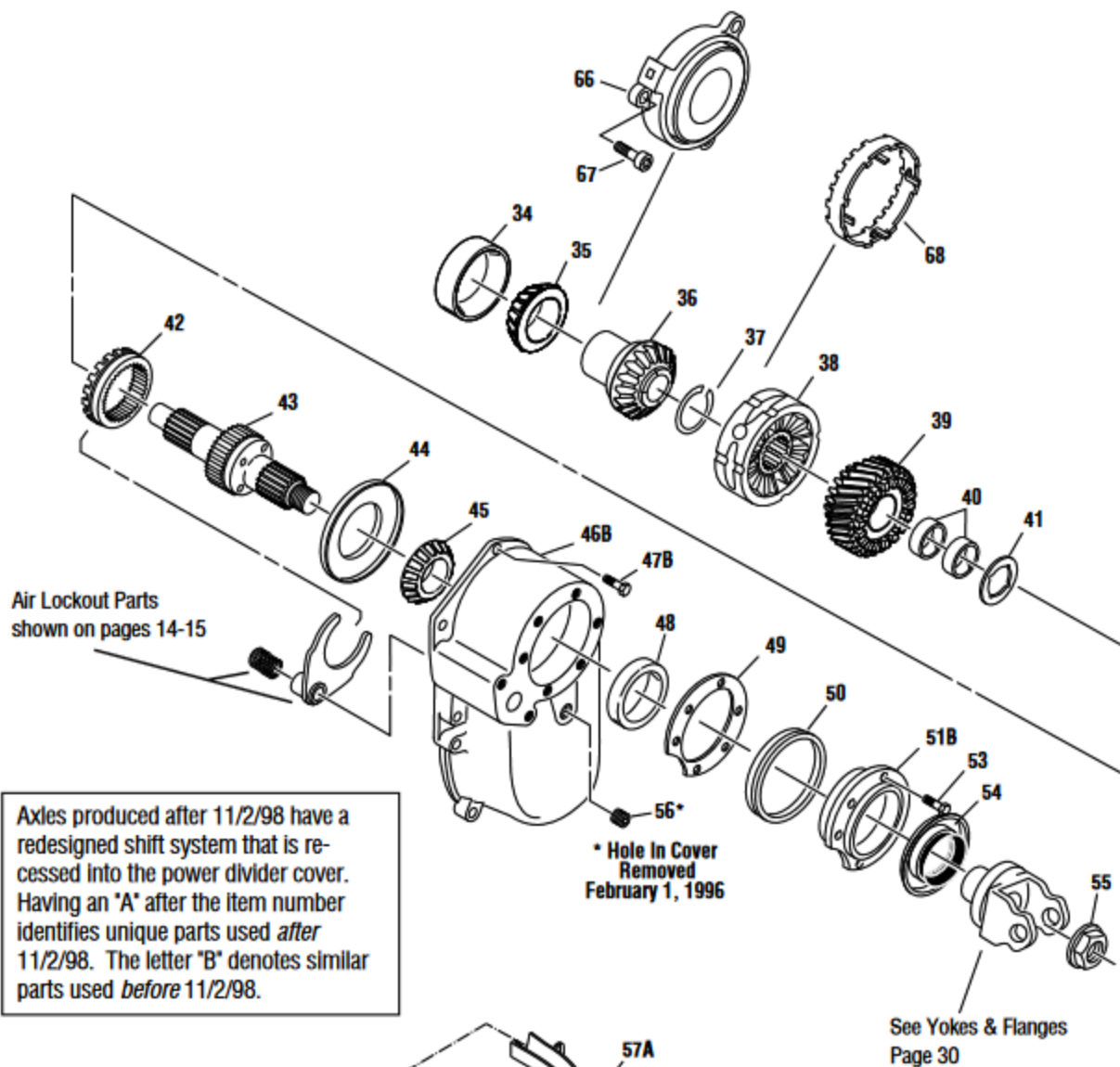
Wheel Differential Lock Assembly

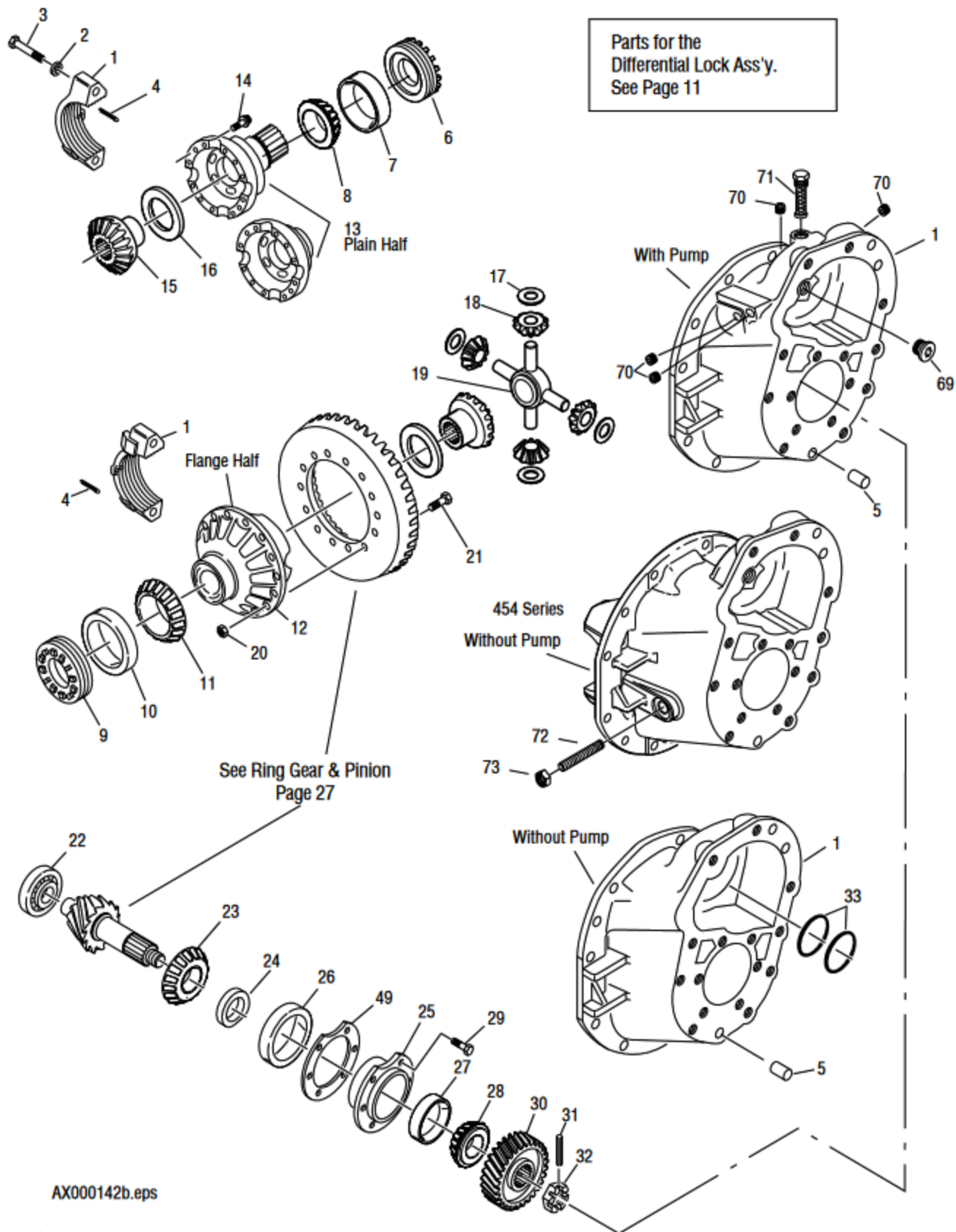


WHEEL DIFFERENTIAL LOCK ASS'Y.



Rear carrier illustrated above.
Parts for forward carrier are identical to the rear carrier.





AX000142b.eps