



*Powering Business Worldwide*

# Illustrated Parts List

---

**Y05133**  
**April 2010**

## Contents

How To Use The Illustrated Parts List .....	3
BRACKET ASSY. ....	4
FRONT BEARING COVER ASSY. ....	5
FRONT CASE ASSY.....	6
INPUT SHAFT ASSY.....	8
LAYSHAFT ASSY. ....	9
LRC ASSEMBLY .....	10
MAINSHAFT ASSY.....	12
REAR CASE ASSY. ....	14
REVERSE IDLER SHAFT.....	15
SELECTOR ASSY. ....	16
SPEEDO HOUSING.....	17

## How To Use The Illustrated Parts List

The information contained in this document is subject to frequent updates. Therefore, for the latest information available, please visit the interactive Electronic Parts Catalog at <http://www.eaton.com/EatonCom/TruckEurope/TruckEurope/index.htm>

### Model Designation or Nomenclature

- For information regarding Model Designation and Nomenclature, visit <http://www.eaton.com/EatonCom/TruckEurope/TruckEurope/index.htm>

### Kits and Assemblies (K/A's)

- Kits and Assemblies contain groups of individual or assembled parts developed for optimal replacement or repair of a service problem.
- Kits and Assemblies are shown with applicable parts groupings in the parts listings.

### Identifying Kits and Assemblies

A- Part numbers beginning with the letter 'A' are pre-assembled Production Assemblies

K- Part numbers beginning with the letter 'K' are kits that are not assembled

T - Part numbers beginning with the letter 'T' are kits that are not assembled

S- Part numbers beginning with the letter 'S' are pre-assembled Service Assemblies

- Note: Some Production Assemblies do not begin with a letter prefix (Midrange only).

### Illustrations

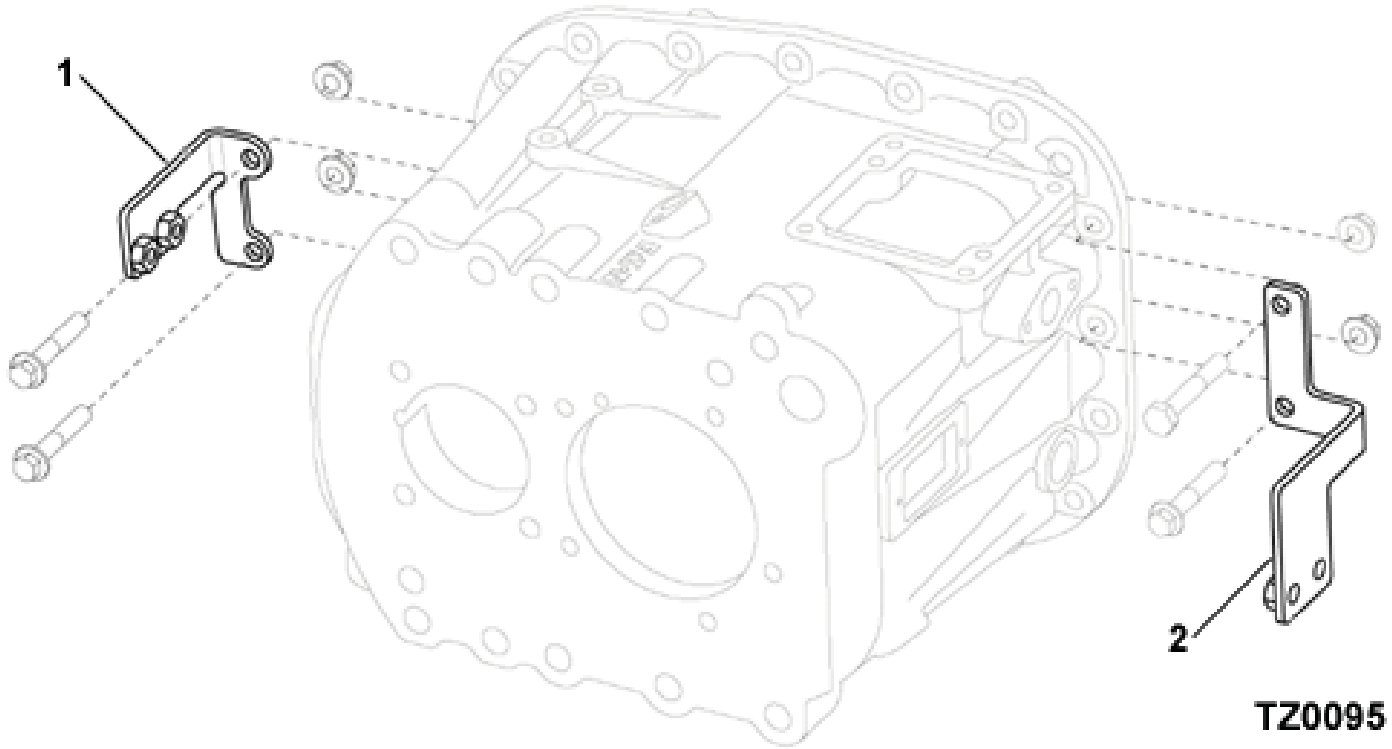
- Illustrations show parts in assembly groups.
- Item numbers on illustrations correspond with parts listings on pages adjacent to the illustration.
- Notes are included on illustrations where additional information is needed.

### Parts Listing

Parts listings are defined by parts groupings and are broken down by service assemblies. Parts listings identify a part for servicing with the following categories

- **Item Number** - corresponding with numbers on illustrations for part identification.
- **Current Part** - identifies part as it is available for service.
- **Description** - specifies part name or description.
- **Replaced Part** - specifies part number of replaced part.
- **Quantity** - quantity required for assembly.
- **Notes** - defines unique characteristics or requirements.
- **Kits/Assy's Where Used** - indicates Kits or Assemblies that contain a particular part.

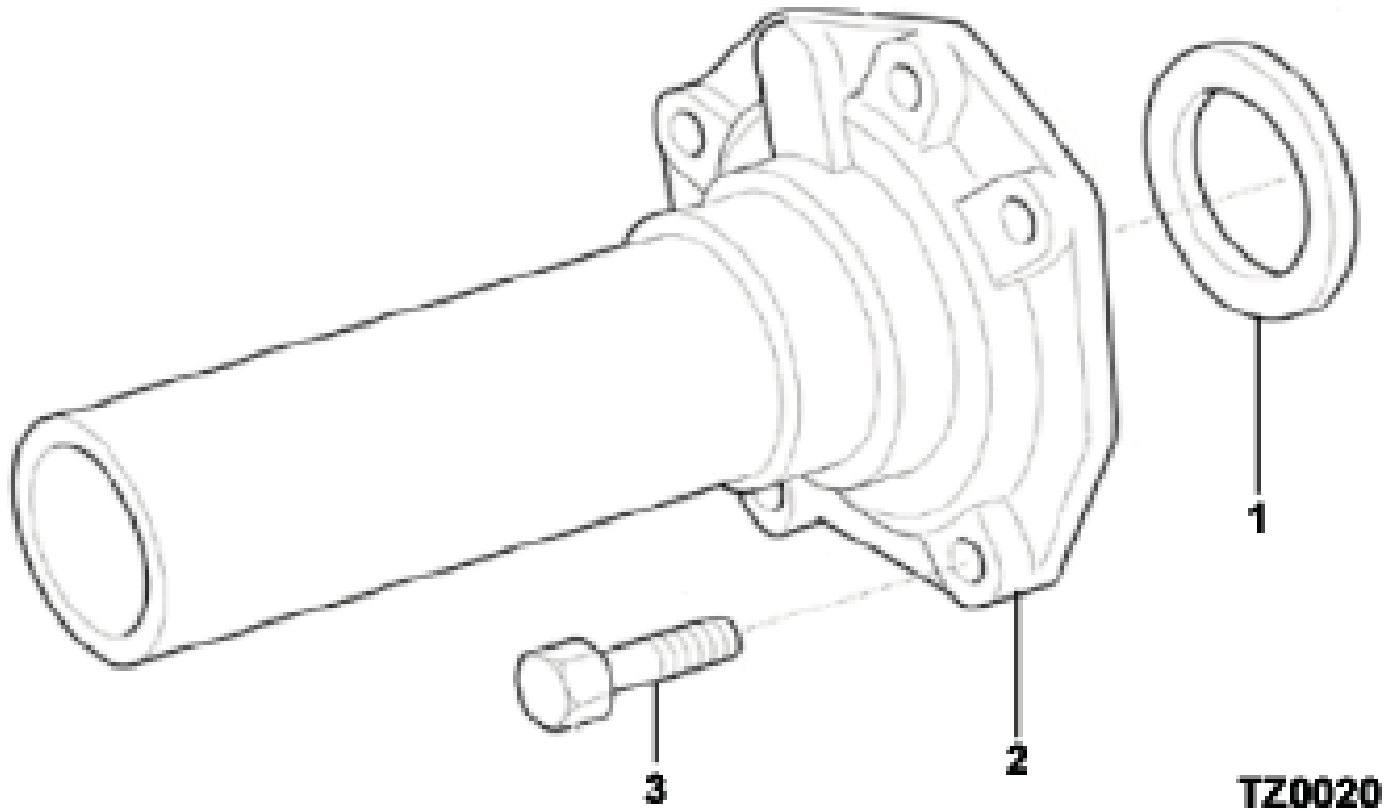
Group: BRACKET ASSY.



**TZ0095**

**BRACKET ASSY.**

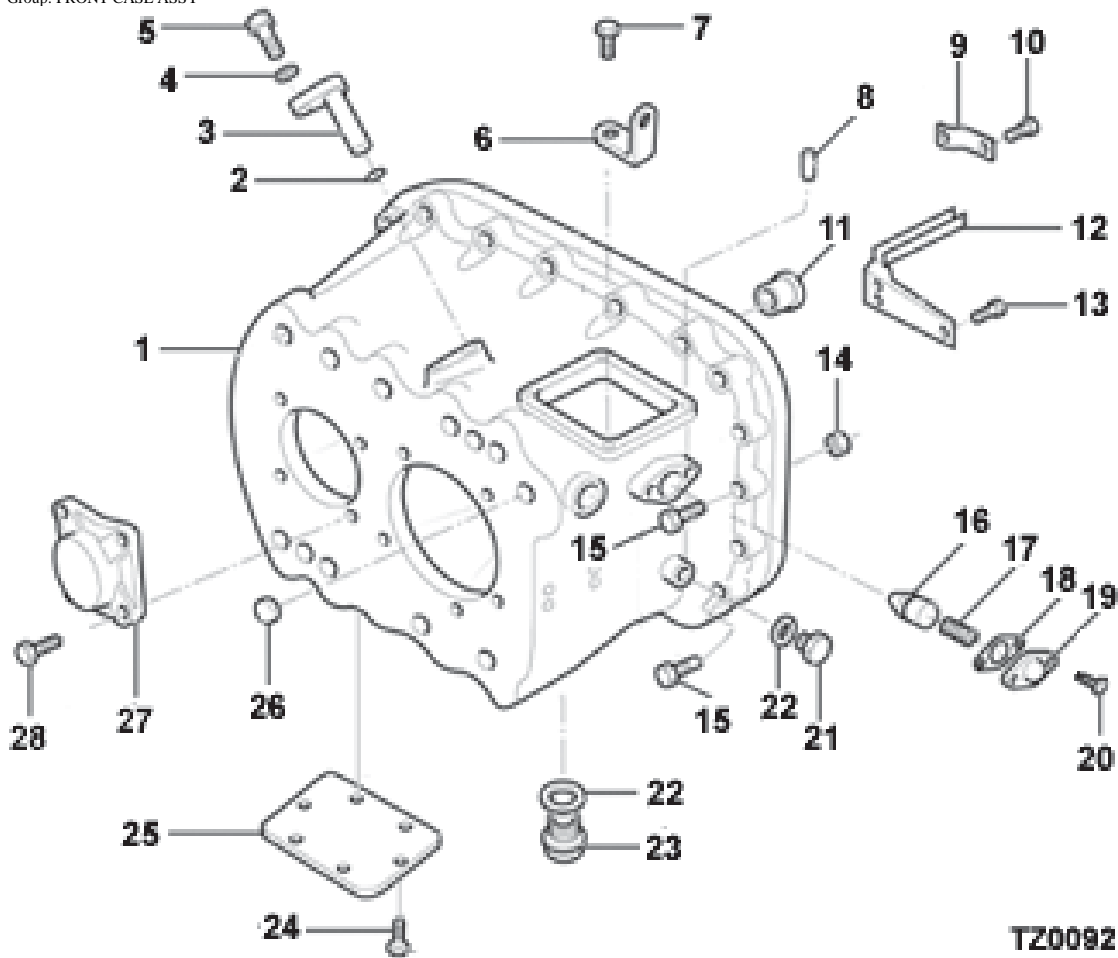
Item	Current Part	Description	Replaced Part	Qty.	Notes	Kits/Assys Where Needed
1	U8877344	BRACKET D ASSY ENCAPSULATION		1		
2	U8877345	BRACKET E ASSY ENCAPSULATION		1		



**FRONT BEARING COVER ASSY.**

Item	Current Part	Description	Replaced Part	Qty.	Notes	Kits/Assys Where Needed
0	U8872546	FRONT BEARING COVER ASSY.		1		
1	X8870760	OIL SEAL		1		
2	8872547	FRONT BEARING COVER		1		
3	GMX-8-1089	SCREW		5	M10X25 HEX FLG HD	

Group: FRONT CASE ASSY

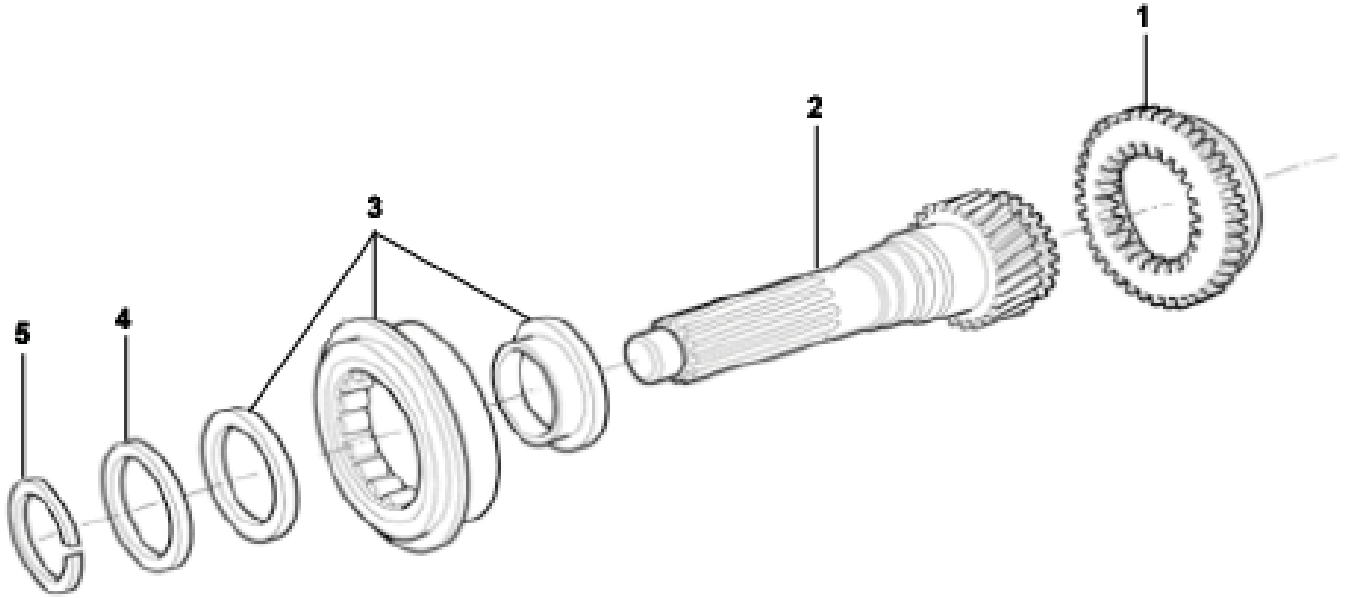


TZ0092

## FRONT CASE ASSY

Item	Current Part	Description	Replaced Part	Qty.	Notes	Kits/Assys Where Needed
0	U8882048	FRONT BEARING COVER ASSY.		1		
1	8881834	FRONT CASE (OVERDRIVE)		1		
2	X8877743	O-RING		2	11.1 ID X 1.6 DIA	
3	GX8872917	ROTATION PIN O/D FORK		2		
4	GMX-3-0801	WASHER SPRING		2	M8	
5	GMX-8-0801	SCREW		2	M8X14	
6	GX20815	LIFTING EYE		1		
7	GMX-8-1091	SCREW		4	M10X30 HEX FLG HD	
8	X8870542	DOWEL		2	8,0 DIA X 16	
9	8877430	OIL TROUGH		1		
10	X8872604	SCREW		2		
11	8882415	BUSH		1	FOR MAIN SELECTOR SHAFT	
12	8877431	OIL TROUGH		1		
13	8874473	SCREW		3		
14	GMX-9-1005	NUT		15	M10X1.5	
15	GMX-8-1041	BOLT		1	M10 X 60	
15	GMX-8-1079	BOLT		3	M10X40	
15	GMX-8-1080	BOLT		14	M10X58	
16	8873654	PLUNGER-NEUTRAL		1		
17	8870587	DETENT SPRING		1		

Item	Current Part	Description	Replaced Part	Qty.	Notes	Kits/Assys Where Needed
18	8870590	GASKET		1		
19	GX8870259	DETENT COVER		1		
20	GMX-8-0848	SCREW		2		
21	GX8874942	OIL FILLER PLUG		1		
22	X8880519	WASHER-FILL/DRAIN FL		2		
23	GX8874941	MAGNETIC PLUG		1	M24	
24	GMX-8-1088	SCREW		6	M12X25 HEX FLG HD	
25	8881616	PTO PROVISION COVER		1		
26	GX8870278	CUP PLUG		1		
27	GX8880554	BEARING COVER LAYSHAFT		1		
28	GMX-8-1240	SCREW		4	M12X25 HEX FLG HD	

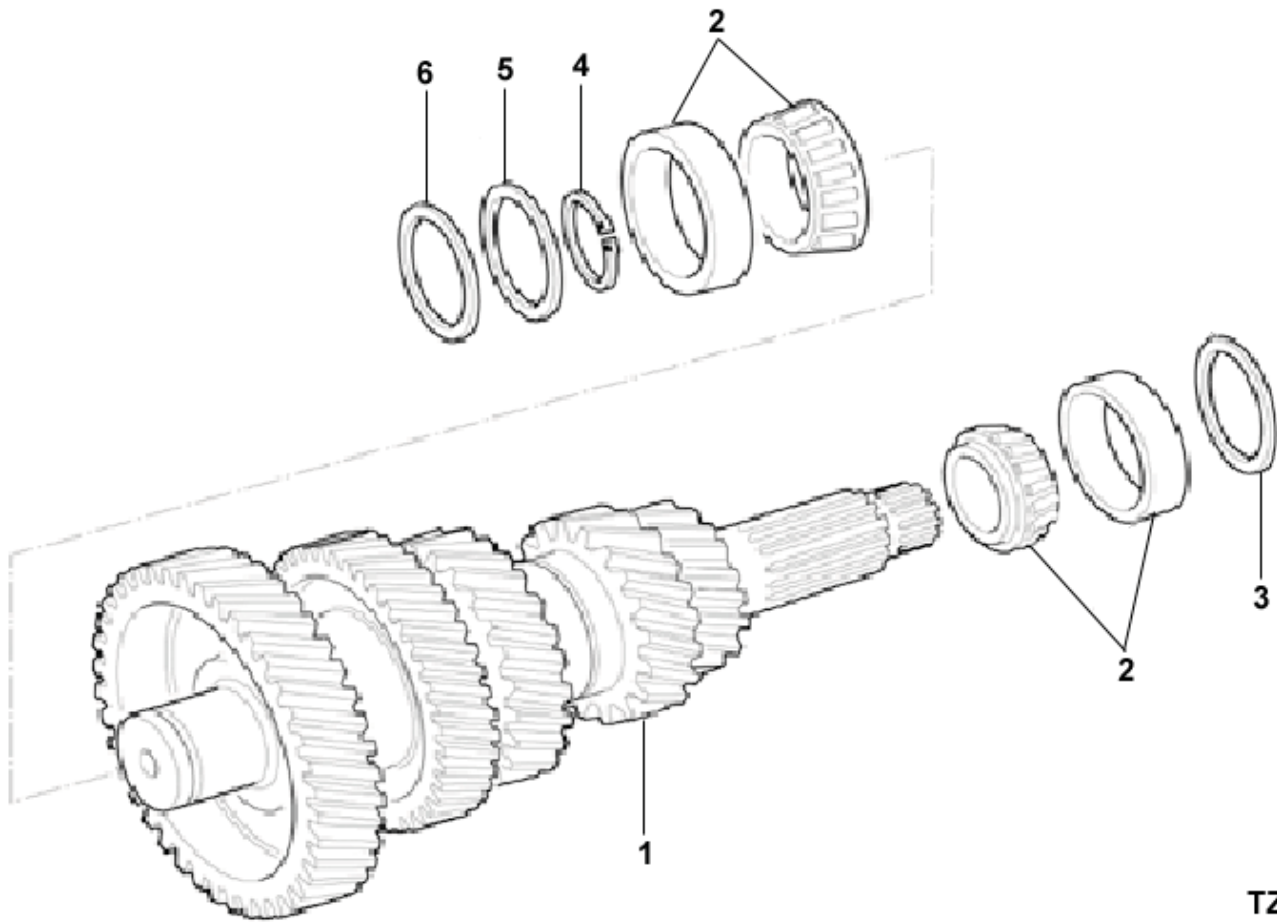


**TZ0019**

**INPUT SHAFT ASSY.**

Item	Current Part	Description	Replaced Part	Qty.	Notes	Kits/Assys Where Needed
0	U8877939	INPUT SHAFT ASSEMBLY		1		
1	8877318	SYNCHRO FLANGE		1		
2	8877809	INPUT SHAFT		1		
3	X8872593	INPUT SHAFT BEARING		1		
4	8877692	SPACER - GRADED 3.10		1	PACK: U8877691	
4	8877693	SPACER - GRADED 3.15		1	PACK: U8877691	
4	8877694	SPACER - GRADED 3.20		1	PACK: U8877691	
4	8877695	SPACER - GRADED 3.25		1	PACK: U8877691	
4	8877696	SPACER - GRADED 3.30		1	PACK: U8877691	
4	8877697	SPACER - GRADED 3.35		1	PACK: U8877691	
4	8877698	SPACER - GRADED 3.40		1	PACK: U8877691	
4	8877699	SPACER - GRADED 3.45		1	PACK: U8877691	
4	8877700	SPACER - GRADED 3.50		1	PACK: U8877691	
4	U8877691	SPACER - GRADED PACK		1		
5	X8877706	CIRCLIP		1		

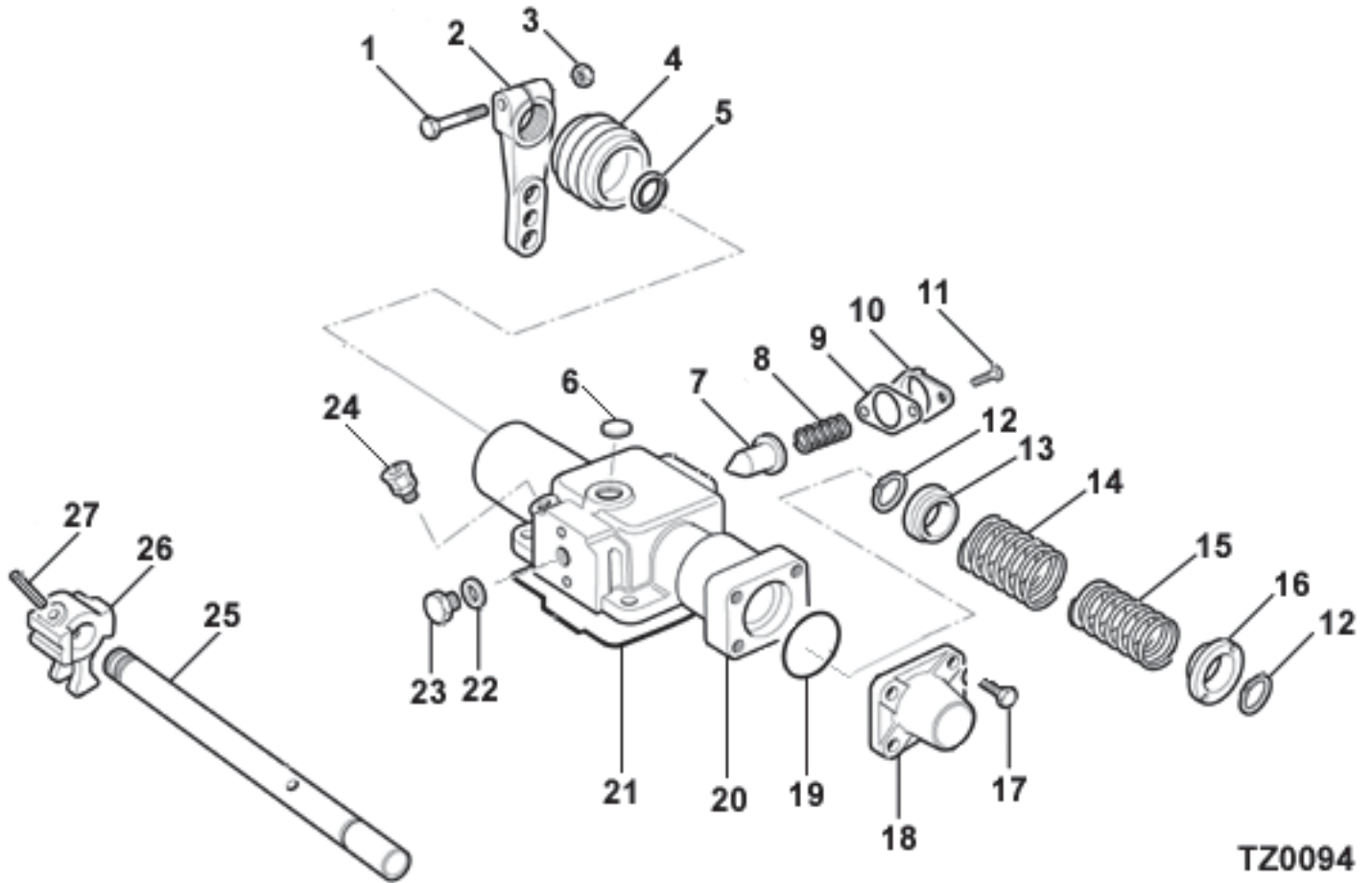




TZ0023

**LAYSHAFT ASSY.**

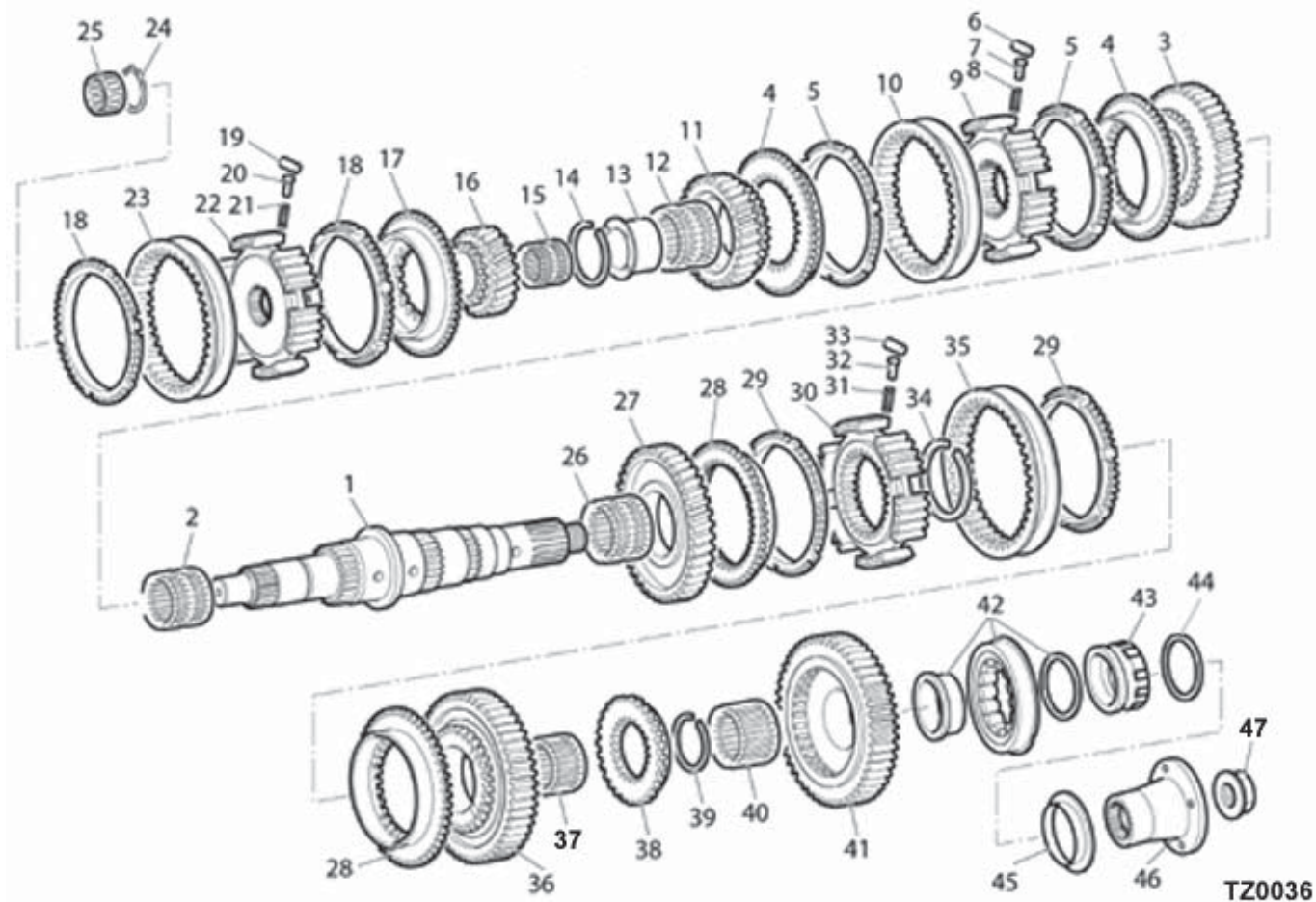
Item	Current Part	Description	Replaced Part	Qty.	Notes	Kits/Assys Where Needed
0	U8876734	LAYSHAFT ASSY.		1		
2	X8875587	BRG. ASSY		2		
3	8872210	DISTANCE PIECE		1		
4	U8877534	CIRCLIP GRADED PACK		1		
4	X8870370	GR.C/CLIP 40 DIA. X 2.12 MM		1		
4	X8870371	GR.C/CLIP 40 DIA. X 2.07 MM		1		
4	X8870372	GR.C/CLIP 40 DIA X 2.02 MM		1		
4	X8871536	GR.C/CLIP 40 DIA. X 1.97 MM		1	PACK: U8877534	
4	X8871537	GR.C/CLIP 40 DIA. X 1.92 MM		1	PACK: U8877534	
4	X8871538	GR.C/CLIP 40 DIA. X 1.87 MM		1	PACK: U8877534	
4	X8871539	GR.C/CLIP 40 DIA. X 1.82 MM		1	PACK: U8877534	
4	X8871540	GR.C/CLIP 40 DIA. X 1.77 MM		1	PACK: U8877534	
5	F88891	SHIM		1	PACK: U8877535	
5	F88892	SHIM		1	PACK: U8877535	
5	F88893	SHIM		1	PACK: U8877535	
5	F88894	SHIM		1	PACK: U8877535	
5	U8877535	SHIM PACK		1		
5	X8882272	SHIM		1	PACK: U8877535	
6	8875879	SPACER		1		



## LRC ASSEMBLY

Item	Current Part	Description	Replaced Part	Qty.	Notes	Kits/Assys Where Needed
0	U8881056	LRC ASSEMBLY		1		
1	GMX-8-1007	BOLT		1	M10X50	
2	GX8876046	OUTER LEVER		1		
3	GMX-9-1005	NUT		1	M10X1.5	
4	X8875259	BOOT		1		
5	X8881481	OIL SEAL		1		
6	GX8871486	EXPANSION PLUG		1		
7	8875415	PLUNGER - DETENT		1		
8	8874819	DETENT SPRING		1		
9	8870590	GASKET		1		
10	GX8870259	DETENT COVER		1		
11	GMX-8-0848	SCREW		2		
12	X8874450	CIRCLIP		2	25.DIA	
13	8876566	SPRING RETAINER-BOOSTER		1		
14	8876343	SPRING COMPRESSION		1		
15	8873736	BIAS SPRING		1		
15	8876567	SPRING RETAINER-BIAS		1		
17	GMX-8-0847	SCREW		4		
18	8880477	END CAP		1		
19	X8880639	O-RING		1		
20	U8880696	LRC SUB ASSY.		1		
21	8880638	SEAL-LRC TO CASE		1		
22	5568510	O-RING		1		
23	GX8871502	PLUG		1	M16	
24	X2014210	BREATHER		1		
25	8877154	SHIFT ROD		1		

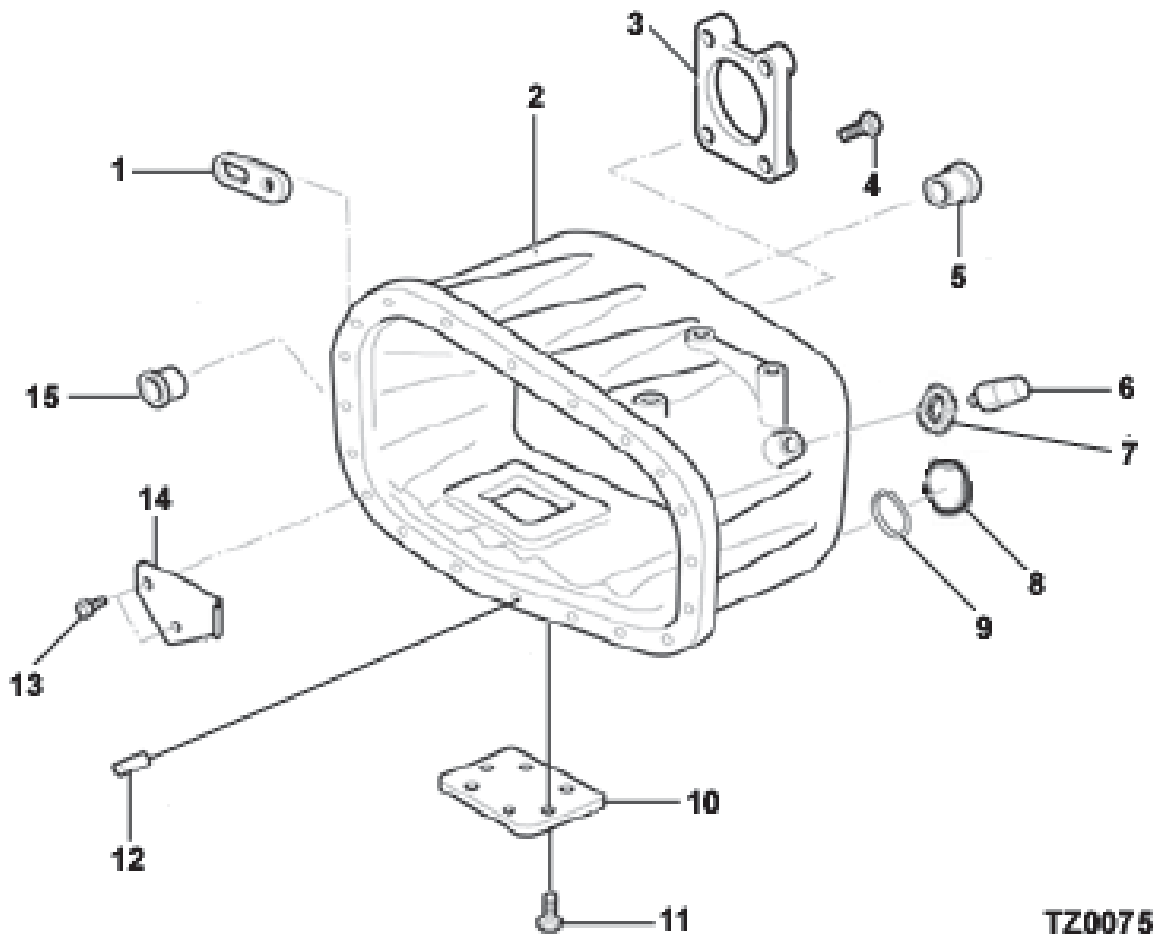
Item	Current Part	Description	Replaced Part	Qty.	Notes	Kits/Assys Where Needed
26	8877658	INNER STRIKING LEVER		1		
27	X8871378	DOWEL		1	10,0 DIA X 44	



**MAINSHAFT ASSY.**

Item	Current Part	Description	Replaced Part	Qty.	Notes	Kits/Assys Where Needed
0	U8877910	MAINSHAFT ASSY.		1		
1	8876605	MAINSHAFT		1		
2	X8872236	NEEDLE ROLLER BRG. ASSY.		1		
3	8876267	GEAR MAINSHAFT 3RD		1		
4	8877316	SYNCHRO FLANGE		2		
5	8877313	SYNCHRO RING		2		
6	X8870356	ROLLER		3		
7	8870352	PLUNGER		3		
8	8870444	SPRING COMPRESSION		3		
9	8875128	FIXED HUB 3RD/4TH		1		
10	8875374	SLIDING SLEEVE		1		
11	8876268	GEAR MAINSHAFT 4TH		1		
12	X8872233	NEEDLE ROLLER BRG. ASSY		1		
13	8882868	SLEEVE MAINSHAFT BEARING		1		
14	U8882558	GRADED CIRCLIP PACK		1		
14	X8870534	GR.CIRCLIP 46 DIA. X 2.10 MM		1	PACK: U8882558	
14	X8870535	GR.CIRCLIP 46 DIA. X 2.05 MM		1	PACK: U8882558	
14	X8870536	GR.CIRCLIP 46 DIA. X 2.00 MM		1	PACK: U8882558	
15	X8870180	NEEDLE BEARING		1		
16	8876452	GEAR MAINSHAFT 6TH		1		
17	8877317	SYNCHRO FLANGE		1		
18	8877314	SYNCHRO RING		2		
19	X8870356	ROLLER		3		
20	8870352	PLUNGER		3		

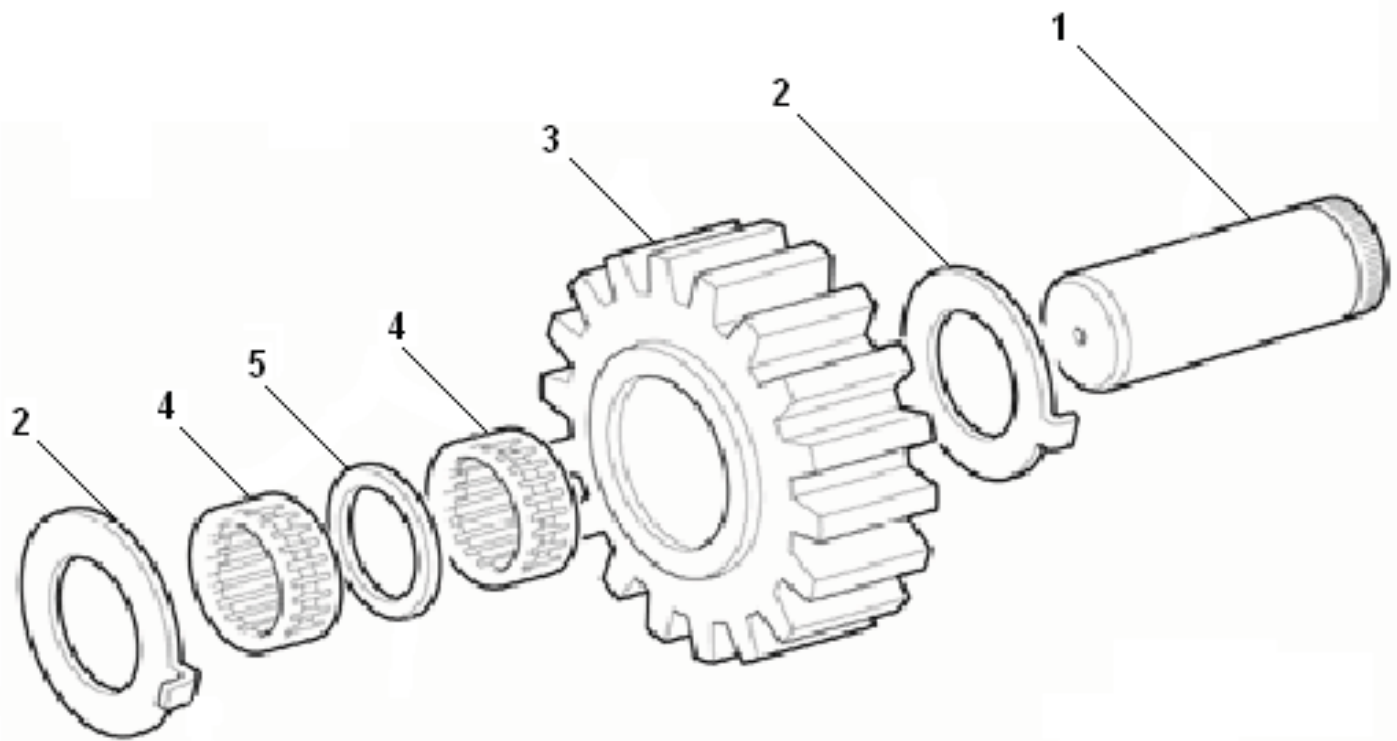
Item	Current Part	Description	Replaced Part	Qty.	Notes	Kits/Assys Where Needed
21	8870444	SPRING COMPRESSION		3		
22	8875127	FIXED HUB 5TH/6TH		1		
23	8875375	SLIDING SLEEVE		1		
24	U8877531	GRADED CIRCLIP PACK		1		
24	X8870370	GR.C/CLIP 40 DIA. X 2.12 MM		1		
24	X8870371	GR.C/CLIP 40 DIA. X 2.07 MM		1		
24	X8870372	GR.C/CLIP 40 DIA X 2.02 MM		1		
25	X8870305	NEEDLE BRG.ROLLER ASSY		1		
26	X8872236	NEEDLE ROLLER BRG. ASSY.		1		
27	8881309	GEAR MAINSHAFT 2ND		1		
28	8877315	SYNCHRO FLANGE		2		
29	8877440	SYNCHRO RING		2		
30	8875129	FIXED HUB 1ST/2ND		1		
31	8870444	SPRING COMPRESSION		3		
32	8870352	PLUNGER		3		
33	X8870356	ROLLER		3		
34	U8876620	GRADED CIRCLIP PACK		1		
34	X8876597	CIRCLIP GR.DIA. 65 X 4.15		1	PACK: U8876620	
34	X8876598	CIRCLIP-GR.DIA. 65 X 4.10		1	PACK: U8876620	
34	X8876599	CIRCLIP-GR.DIA. 65 X 4.05		1	PACK: U8876620	
34	X8876600	CIRCLIP-GR.DIA. 65 X 4.00		1	PACK: U8876620	
34	X8876601	CIRCLIP-GR.DIA. 65 X 3.95		1	PACK: U8876620	
35	8875373	SLIDIND SLEVEE 1ST/2ND		1		
36	8876603	GEAR MAINSHAFT 1ST		1		
37	X8870177	NEEDLE ROLLER BRG. ASSY		1		
38	8876602	HUB FIXED REVERSE		1		
39	U8882193	GRADED CIRCLIP PACK		1		
39	X8870378	CIRCLIP-GR.DIA.60 X 2.10 MM		1	PACK: U8877532	
39	X8870379	CIRCLIP-GR.DIA.60 X 2.05 MM		1	PACK: U8877532	
39	X8870380	CIRCLIP-GR.DIA.60 X 2.00 MM		1	PACK: U8877532	
40	X8870178	NEEDLE ROLLER BRG. ASSY		1		
41	8872013	GEAR MAINSHAFT REVERSE		1		
42	X8877197	BRG.M/S OUTPUT INT SPACER		1		
43	8877149	ROTOR TACHOGRAPH		1		
44	8877150	SPACER TACH0		1		
45	8876869	DIRT SHIELD		1		
46	GX8877151	COUPLING FLANGE		1		
47	GX8870564	MAINSHAFT NUT		1	M33	



**TZ0075**

**REAR CASE ASSY.**

Item	Current Part	Description	Replaced Part	Qty.	Notes	Kits/Assys Where Needed
0	U8876808	REAR CASE ASSY.		1		
1	GX8874026	LIFTING EYE		2		
2	8876781	REAR CASE		1		
3	GX8880554	BEARING COVER LAYSHAFT		1		
4	GMX-8-1239	SCREW		4	M12 X 25 HEX FLG HD	
5	GX8870278	CUP PLUG		1		
6	GX2771532	SWITCH REVERSE		1		
7	5568510	O-RING		1		
8	X8880496	CORE PLUG		1	37.DIA	
9	X8881424	CIRCLIP		1		
10	8881616	PTO PROVISION COVER		1		
11	GMX-8-1088	SCREW		6	M12X25 HEX FLG HD	
12	X8870543	DOWEL		2	16,0 DI X 30,5	
13	8874473	SCREW		2		
14	8874494	PLATE OIL RETENTION		1		
15	8882415	BUSH		1	FOR MAIN SELECTOR SHAFT	

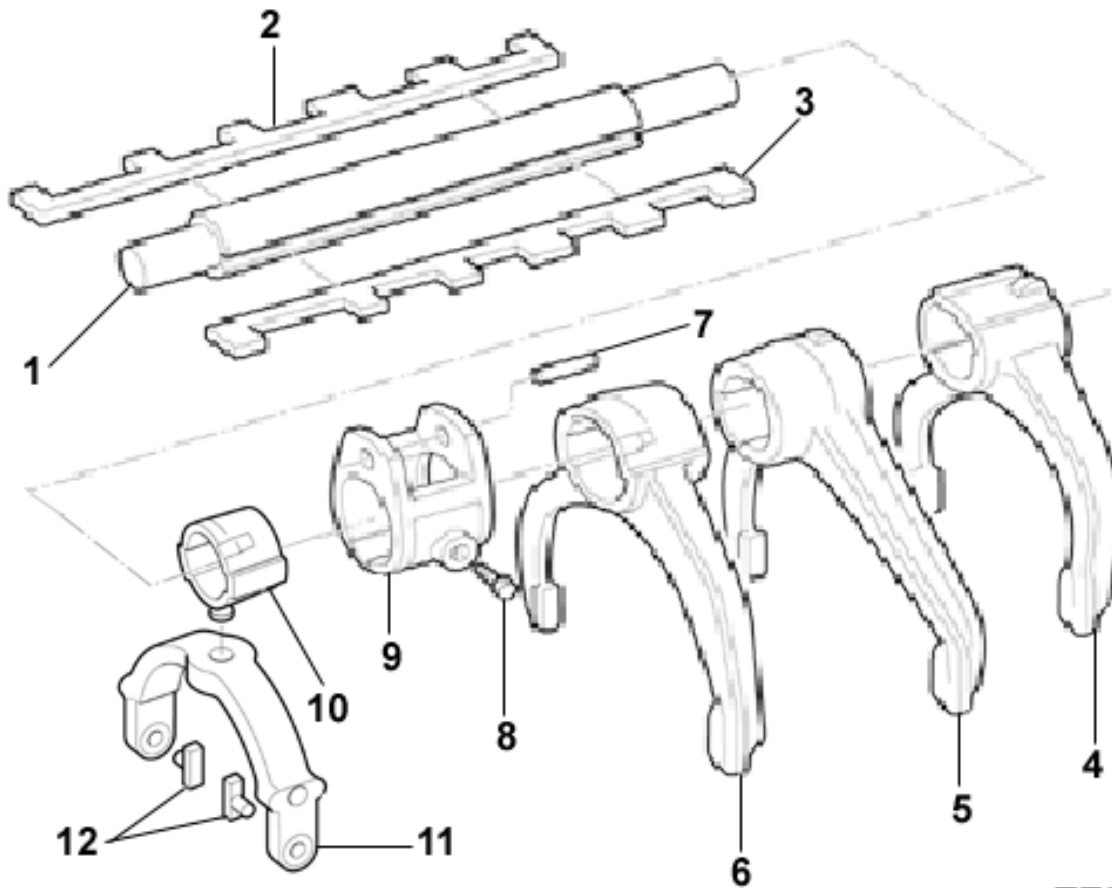


**PU0007**

**REVERSE IDLER SHAFT**

Item	Current Part	Description	Replaced Part	Qty.	Notes	Kits/Assys Where Needed
1	8883246	REVERSE IDLER SHAFT		1		
2	8870343	THRUST WASHER		2		
3	8872173	GEAR IDLER REVERSE		1		
4	X8872478	NEEDLE ROLLER BRG		2		
5	8872479	SPACER		1		

Group: SELECTOR ASSY.

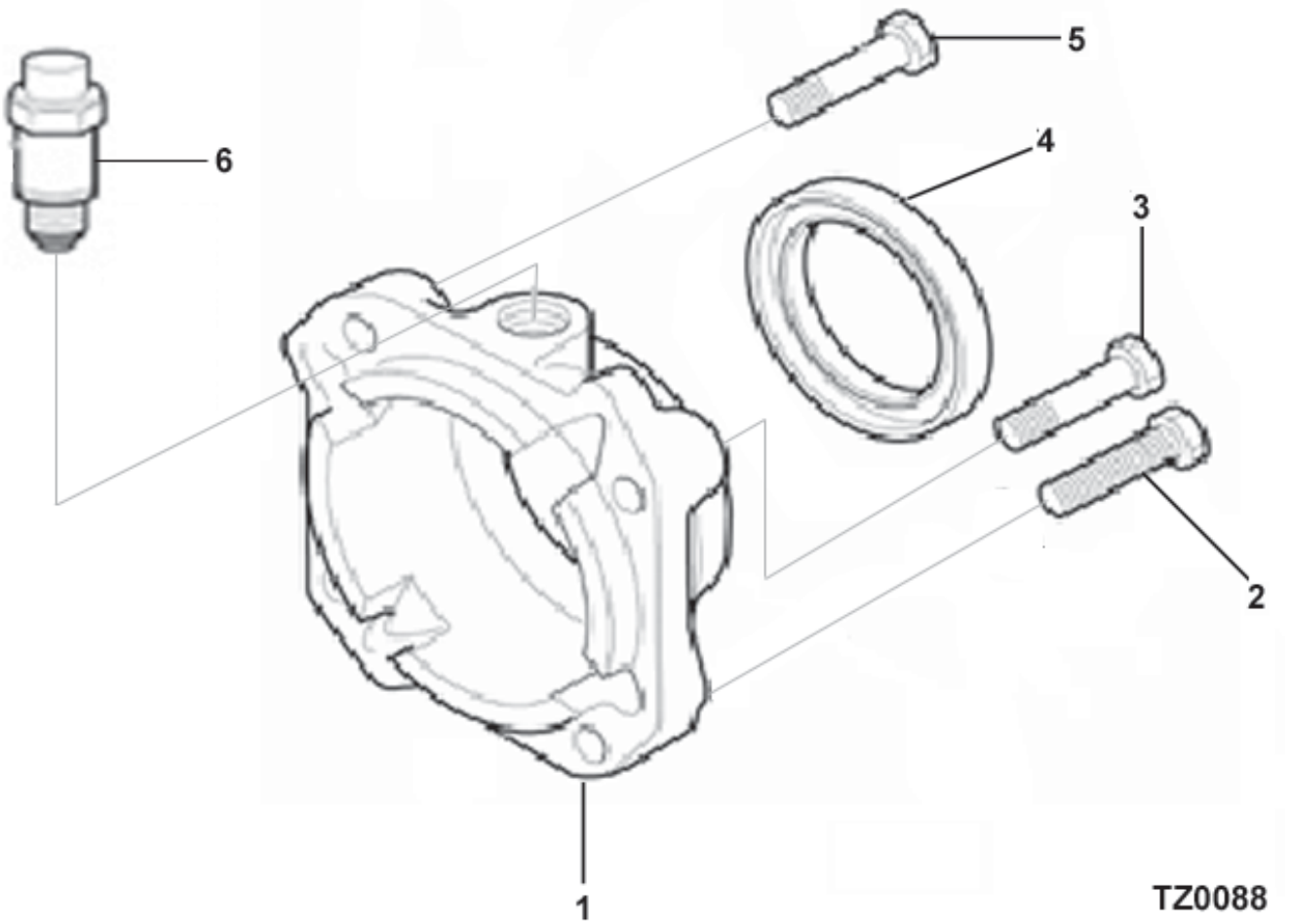


**TZ0037**

**SELECTOR ASSY.**

Item	Current Part	Description	Replaced Part	Qty.	Notes	Kits/Assys Where Needed
0	U8877720	SELECTOR ASSY. O/D		1		
1	8874835	SELECTOR SHAFT		1		
2	8876394	SELECTOR KEY		1		
3	8876395	INTERLOCK KEY		1		
4	8875503	FORK REVERSE		1		
5	8880805	FORK 1ST/2ND		1		
6	8875501	FORK 3RD/4TH		1		
7	X8870277	DOWEL		1		
8	8873691	SCREW		1	M10X23 HEX HD	
9	8874755	SELECTOR BLOCK		1		
10	8877718	SELECTOR OVERDRIVE		1		
11	8880960	FORK OVERDRIVE		1		
12	8872043	OVERDRIVE SHIFT PAD		2		





TZ0088

### SPEEDO HOUSING

Item	Current Part	Description	Replaced Part	Qty.	Notes	Kits/Assys Where Needed
0	U8876881	SPEEDO HOUSING ASSY.		1		
1	8877756	SPEEDO HOUSING		1		
2	GMX-8-1093	BOLT		1	M10X45 HEX FLG HD	
3	GMX-8-1092	SCREW		1	M10 X 30 HEX FLG HD	
4	X13711	OIL SEAL		1		
5	GMX-8-1091	SCREW		2	M10X30 HEX FLG HD	
6	X8877476	IMPULSE TRANSMITTER		1		

Copyright Eaton Corporation, 2009.  
Eaton hereby grants their customers,  
vendors, or distributors permission to  
freely copy, reproduce and/or distribute  
this document in printed format. It may  
be copied only in its entirety without  
any changes or modifications. THIS  
INFORMATION IS NOT INTENDED FOR  
SALE OR RESALE, AND THIS NOTICE  
MUST REMAIN ON ALL COPIES.

