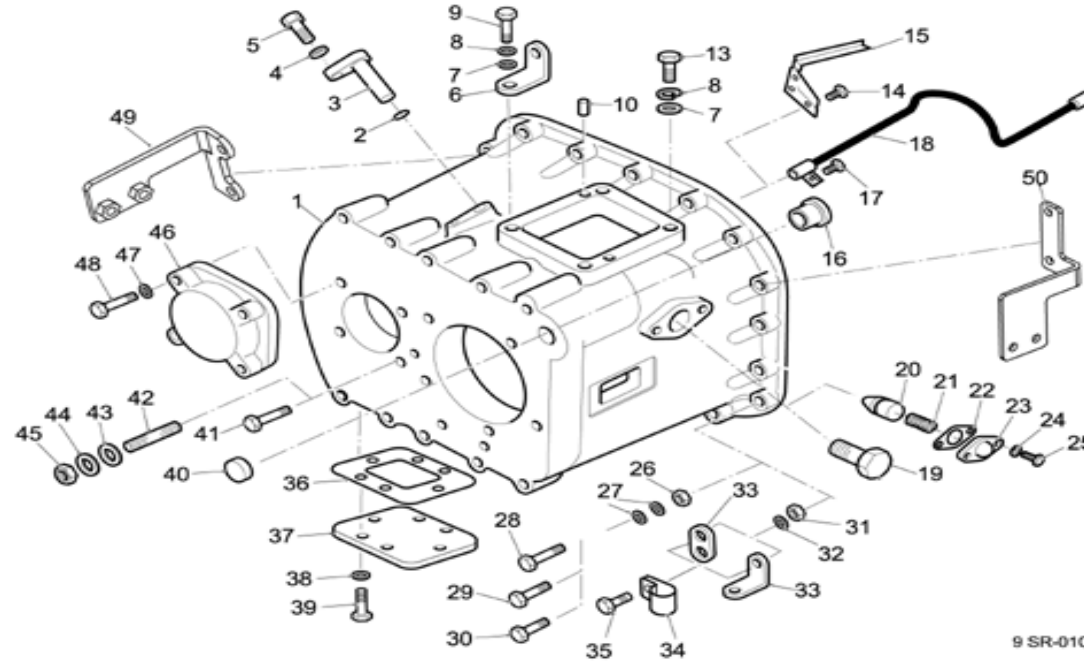


Y06378

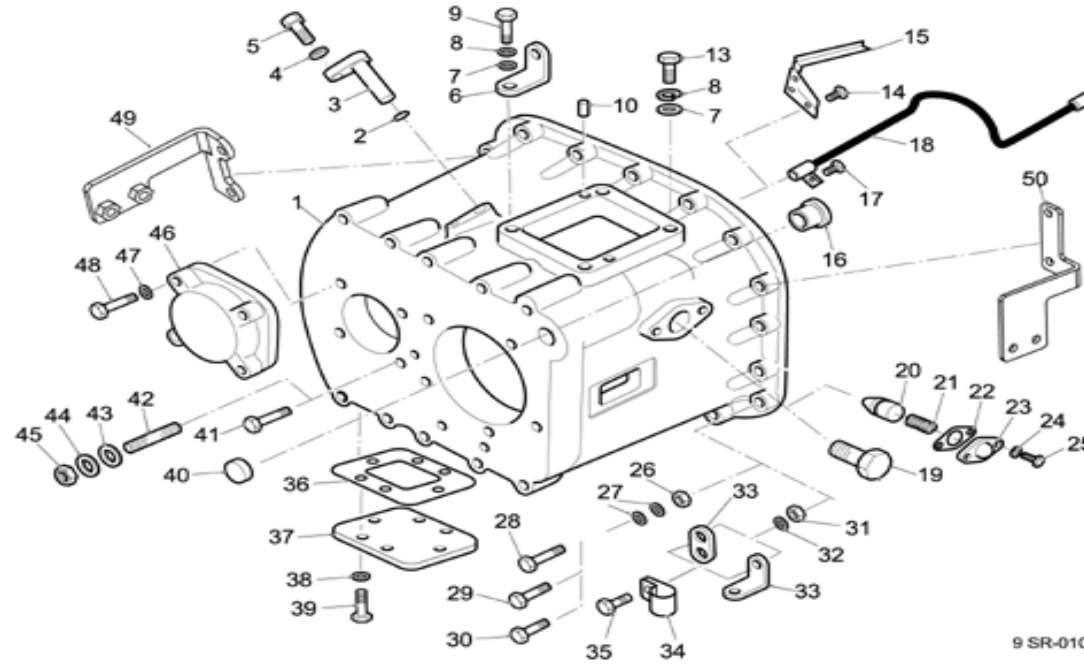
Frontcase



Part No:	English:	Deutsch:	Français:	Italiano:	Espanol:	Tech Spec:	QTY:	
00	U8882063	FRONT CASE ASSY	Vordergehäuse-Montage	Ensemble carter AV	scatola anteriore completa	Conjunto carcasa delantera	NOT AVAILABLE	1
01	8881836	FRONT CASE	Gehäuse	Carter	Corpo	Alojamiento	BS 1940 LM27M	1
06	D20815	LIFTING EYE	Hebering	Crochet de levage	staffa di sollevamento	Cáncamo de izar	SAE 1010-1020	1
07	DX11245	WASHER	Scheibe	Rondelle	Rondella	Arrandela	M10 X 2MM-CS4	3
08	DMX-3-1001	SPRING WASHER	Federscheibe	Rondelle grower	Rondella di sicurezza	Arandela elásti	M10 X2.2MM BS 4464	4
09	DMX-8-1003	SCREW	Schraube	Vis	Vite	Tornillo	M10 X 35 HEX HD BS	4
10	X8870542	DOWEL	Dübel, stift	(Douille)Goujon Perdu	Spina	Punto guia	8.0 DIA X 16 BS 1804	2
16	8882415	BUSH	Buchse	Bague	Boccola	Casquillo	SAE 8620H	1
18	U8880098	OIL SPRAY BAR ASSY.	Ölspritzstabmontage	Diffuseur d'huile complet	tubo spruzzatore olio	Conjunto barra rociado aceite	NOT AVAILABLE	1
20	8873654	PLUNGER - NEUTRAL	Kolben - Neutral	Plongeur - Point Mort	pistoncino del folle	Vástago - Punto Muerto	SAE 8620H	1
21	8871098	SPRING COMPRESSION	Feder, verdichtungs-/kompres	Ressort de compression	Compressione de Molla	Ballesta	SiCr BS 2803 685A55	1
22	8870590	GASKET	Dichtung	Joint	Guarnizione	Junta	CORK ASTM F104 F2	1
23	D8870259	COVER - DETENT	Deckel - Sperre	Couvercle	Coperchio	Tapa	BS 1449 PT1 GRADE	1
24	DMX-3-0801	SPRING WASHER	Federscheibe	Rondelle grower	Rondella di sicurezza	Arandela elásti	M8 BS 4464 TYPE B	2
25	MX-8-0801	SCREW	Schraube	Vis	Vite	Tornillo	M8 X 14 HEX HD BS 3	2
26	MX-9-1005	NUT	Mutter M10	Ecrou M10	Dado M10	Tuerca m10	M10 - ISO 4161 GRAD	14
28	DMX-8-1080	BOLT	Schraubbolzen	Boulon	Vite	Perno	M10 X 58 ISO 4162 G	14
29	MX-8-1079	BOLT	Schraubbolzen	Boulon	Vite	Perno	M10 x 40 ISO 4162 GR	4

Y06378

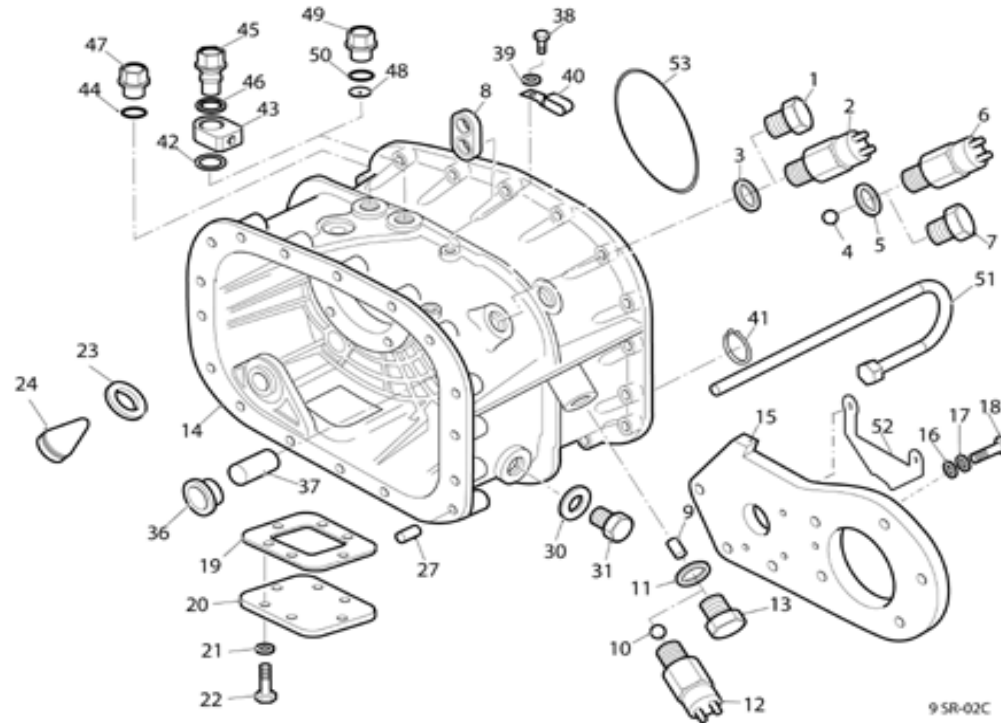
Frontcase



Part No:	English:	Deutsch:	Français:	Italiano:	Espanol:	Tech Spec:	QTY:	
37	8881616	PTO COVER	Deckel	Couvercle	Coperchio	Tapa	SAE 1015-1025 HR RI	1
38	DMX-3-1001	SPRING WASHER	Federscheibe M10	Rondelle grower M10	Rondella di sicurezza M10	Arandela elásti M10	M10 X 2.2MM BS 4464	6
39	DMX-8-1001	SCREW	Schraube	Vis	Vite	Tornillo	M10 X 20 BS 3692 GR	6
40	8870278	PLUG	Stopfen	Bouchon	Tappo	Tapón	ASTM A284 GRADED	1
46	8880554	BEARING COVER	Lagerdeckel	Couvercle de roulement	coperchio cuscinetto	Tapa cojinete	STEEL SAE 8620H	1
47	DMX-3-1201	SPRING WASHER	Federscheibe	Rondelle grower	Rondella di sicurezza	Arandela elásti	M12 BS 4464 TYPE B	4
48	DMX-8-1209	SCREW	Schraube	Vis	Vite	Tornillo	M12 X 25 BS 3692 GR	4

Y06378

Intermediate Case

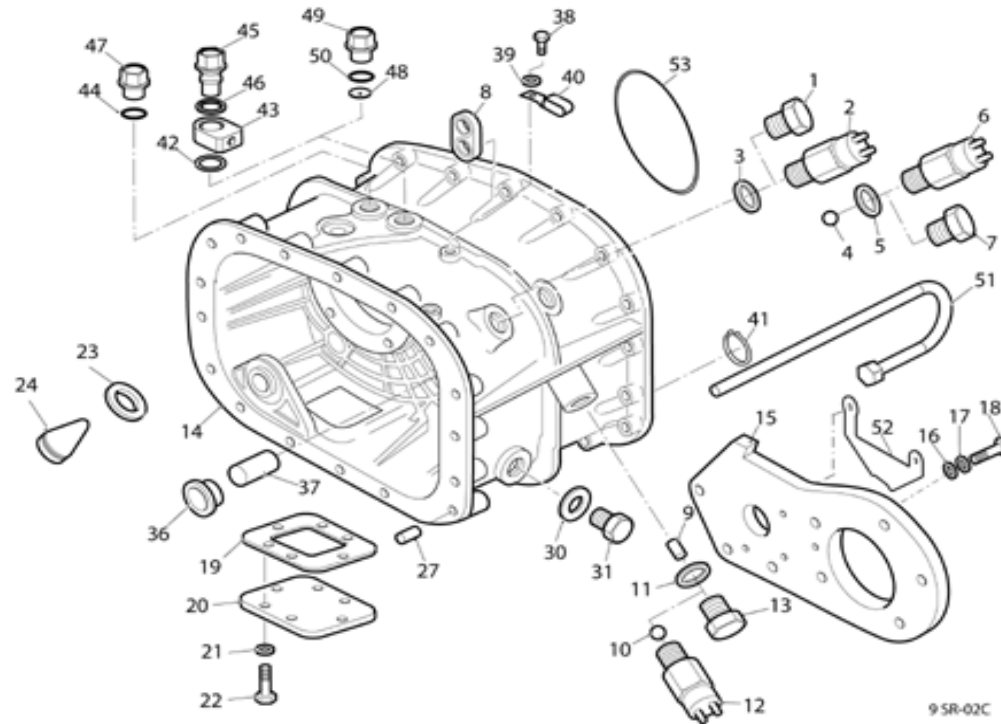


9 SR-02C

Part No:	English:	Deutsch:	Français:	Italiano:	Espanol:	Tech Spec:	QTY:	
00	U8877495	INTERMEDIATE CASE ASSY	Zwischengehäusemontage	Carter intermédiaire complet	scatola intermedia completa	Conjunto caja intermedia	NOT AVAILABLE	1
02	2771532	REVERSE SWITCH	Schalter	Contacteur	Interruttore	Conmutador	DIN AI-3.2	1
04	X8870711	DETENT BALL	Rastkugel	Bille	Sfera	Bola	DIA . 14 CARBON CH	1
05	X8880470	WASHER	Scheibe	Rondelle	Rondella	Arrandela	M16 DOWTY SEAL	1
07	DX8871502	PLUG	Stopfen	Bouchon	Tappo	Tapón	M16 X 1.5 BS 970 212	1
09	8875267	INTERLOCK PIN	Riegel	Goupille/axe	Spina di consenso	Pasador de cierre	BS 970 PT1 535A99 (E)	1
11	X8880470	WASHER	Scheibe	Rondelle	Rondella	Arrandela	M16 DOWTY SEAL	1
13	DX8871502	PLUG	Stopfen	Bouchon	Tappo	Tapón	M16 X 1.5 BS 910 212	1
14	8877486	INTERMEDIATE HOUSING	Gehäuse	Carter	scatola	Caja	BS 1490 LM25TF	1
15	U8875469	OIL PUMP ASSY	Ölpumpenmontage	Pompe à huile complète	pompa olio completa	Conjunto bomba de aceite	NOT AVAILABLE	1
16	DX11245	WASHER	Scheibe	Rondelle	Rondella	Arrandela	M10 X 2MM -CS4	8
17	DMX-3-1001	SPRING WASHER	Federscheibe	Rondelle grower	Rondella di sicurezza	Arandela elásti	M10 X 2.2MM BS 4464	8
18	MX-8-1006	BOLT	Schraubbolzen	Boulon	Vite	Perno	M10 X 30 HEX HD ISO	8
20	8881616	PTO COVER	Deckel	Couvercle	Coperchio	Tapa	SAE 1015-1025 HR RI	1
21	DMX-3-1001	SPRING WASHER	Federscheibe	Rondelle grower	Rondella di sicurezza	Arandela elásti	M10 X 2.2MM BS 4464	6
22	DMX-8-1001	SCREW	Schraube	Vis	Vite	Tornillo	M10 X 20 BS 3692 GR	6
23	X8880469	WASHER	Scheibe	Rondelle	Rondella	Arrandela	DOWTY SEAL	1
24	U8876353	OIL STRAINER ASSY	Ölsiebmontage	Crépine à huile complète	filtro olio completo	Conjunto filtro aceite	NOT AVAILABLE	1

Y06378

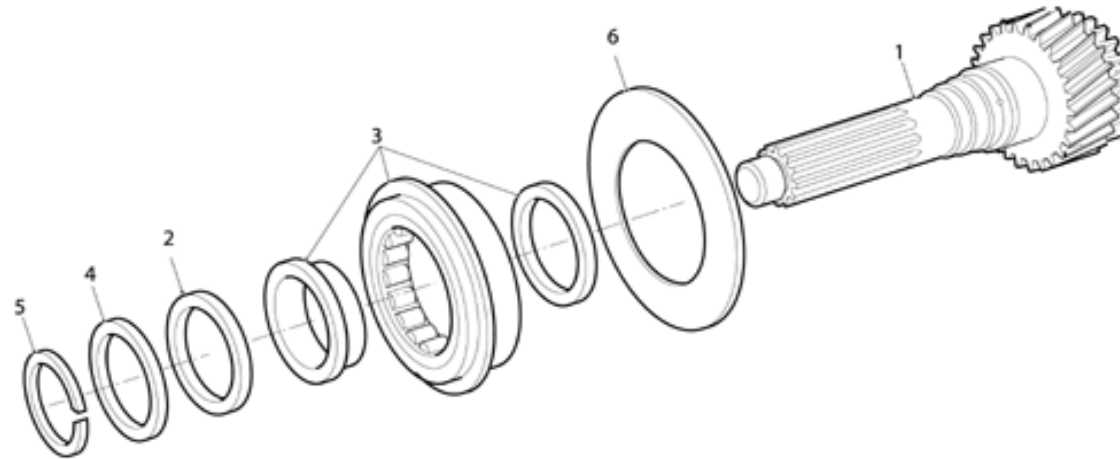
Intermediate Case



Part No:	English:	Deutsch:	Français:	Italiano:	Espanol:	Tech Spec:	QTY:	
27	X8870543	DOWEL	Dübel, stift	(Douille)Goujon Perdu	Spina	Punto guía	16.0 DIA X 30.5 BS 18	2
30	X8880519	WASHER-FILL/DRAIN PLUG	Unterlegscheibe – Füll/Ablass	Rondelle de bouchon de rempl	rondella tappo scarico/riempi	Llenado lava -/ tapón de vaciad	DOWTY SEAL	1
31	DX8874942	PLUG-OIL FILLER	Stopfen – Öfüller	Bouchon - remplissage d'huile	tappo di riempimento olio	Tapón – Aceite	STEEL GRADE 4.6	1
36	8882415	BUSH	Buchse	Bague	Boccola	Casquillo	SAE 8620H	1
37	X8871377	BUSH	Buchse	Bague	Boccola	Casquillo	PTFE/LEAD OVER BR	1
41	X8881424	CIRCLIP	Seegerring	Circlip	Anello elastico	Anillo elastico	BS 1449 CS 80 OR SA	1

Y06378

Input Shaft

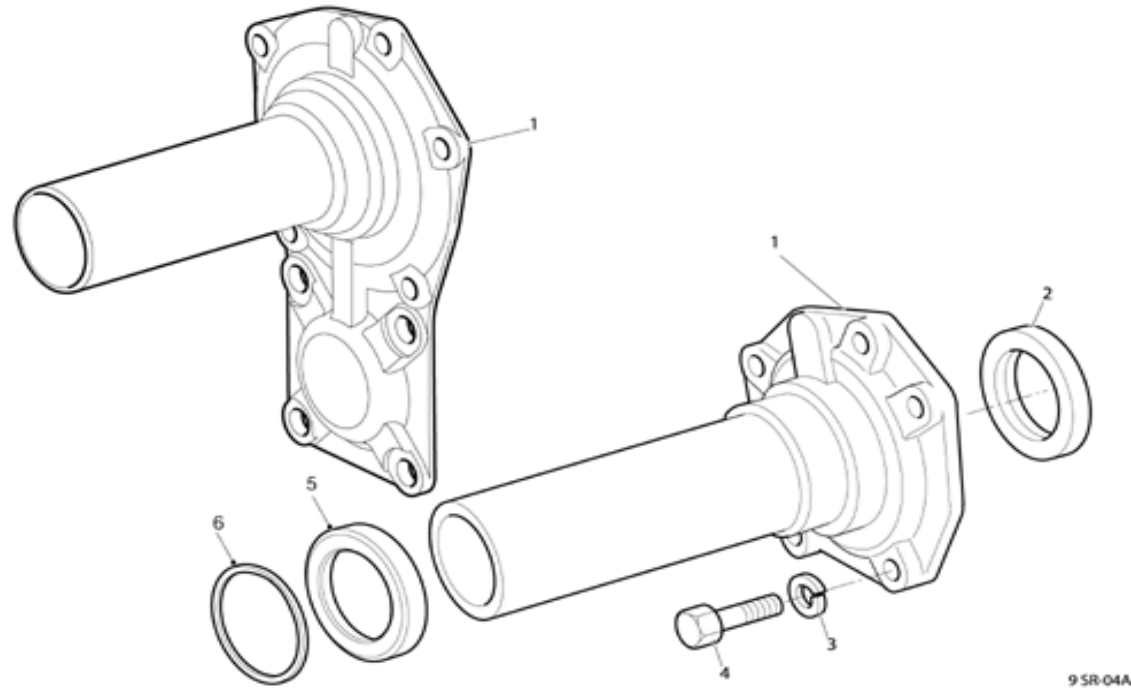


958-03

Part No:	English:	Deutsch:	Français:	Italiano:	Espanol:	Tech Spec:	QTY:	
00	U8880631	INPUT SHAFT ASSY	Eingangswellenmontage	Arbre d'entrée complet	albero entrata completo	Conjunto del eje de entrada	NOT AVAILABLE	1
01	8880630	INPUT SHAFT	Eingangswelle	Arbre primaire	Albero entrata	Eje impulsor	SAE 8620RH	1
03	X8872593	BEARING	Lager,	Roulement	Cuscinetto	Cojinete	AFB MA TOL CLASS I	1
04	8877698	SPACER	Distanzstück	Entretoise	Distanziale	Separador	3.40mm	1
04	U8877691	GRADED SPACER PACK	Packung abgestufte Zwischen	Paquet d'entretoises calibrées	pacco spessori graduati	Grupo separadores graduados	CDS 2 (210-255HB)	1
04	8877700	SPACER	Distanzstück	Entretoise	Distanziale	Separador	3.50mm	1
04	8877699	SPACER	Distanzstück	Entretoise	Distanziale	Separador	3.45mm	1
04	8877694	SPACER	Distanzstück	Entretoise	Distanziale	Separador	3.20mm	1
04	8877695	SPACER	Distanzstück	Entretoise	Distanziale	Separador	3.25mm	1
04	8877693	SPACER	Distanzstück	Entretoise	Distanziale	Separador	3.15mm	1
04	8877692	SPACER	Distanzstück	Entretoise	Distanziale	Separador	3.10mm	1
04	8877697	SPACER	Distanzstück	Entretoise	Distanziale	Separador	3.35mm	1
04	8877696	SPACER	Distanzstück	Entretoise	Distanziale	Separador	3.30mm	1
05	X8877706	CIRCLIP	Seegerring	Circlip	Anello elastico	Anillo elastico	1.95 BS 970 PT1 070A	1

Y06378

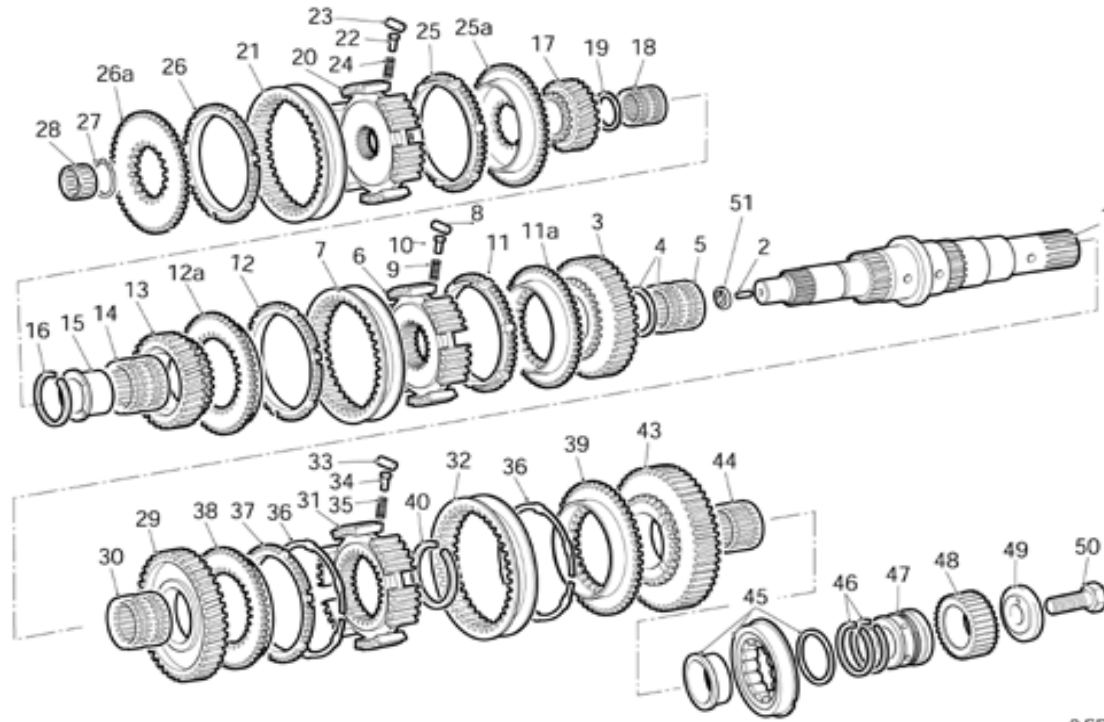
Frontcover Assy



	Part No:	English:	Deutsch:	Français:	Italiano:	Espanol:	Tech Spec:	QTY:
00	U8876961	FRONT COVER ASSY	Vorderdeckel-Montage	Ensemble carter AV	scatola anteriore completa	Conjunto carcasa delantera	NOT AVAILABLE	1
01	8876960	FRONT COVER	Vorderdeckel	Couvercle antérieur	coperchio anteriore	Tapa delantera	CAST IRON BS1452 G	1
02	X8870760	OIL SEAL	Öldichtung	Joint d'étanchéité d'huile	Anello tenuta cambio	Retén de aceite	VITON	1
03	DMX-3-1001	SPRING WASHER	Federscheibe	Rondelle grower	Rondella di sicurezza	Arandela elásti	M10 X 2.2MM BS 4464	5
04	DMX-8-1002	SCREW	Schraube	Vis	Vite	Tornillo	M10 X 25 BS 3692 GR	5

Y06378

Mainshaft

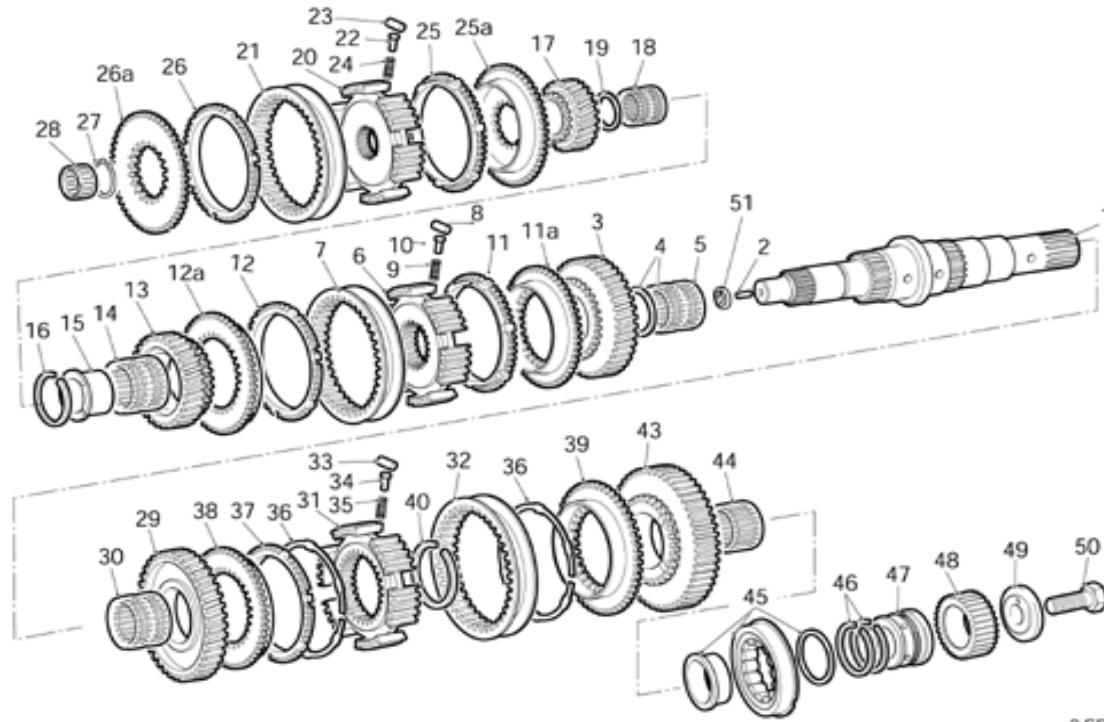


9 SR-05

Part No:	English:	Deutsch:	Français:	Italiano:	Espanol:	Tech Spec:	QTY:	
00	U8880910	MAINSHAFT ASSY	Hauptwellenmontage	Arbre principal complet	albero primario completo	Conjunto del eje pral.	NOT AVAILABLE	1
01	U8877186	MAINSHAFT SUB ASSY	Hauptwelle	Arbre principal	albero primario	Eje principal	STEEL SAE 8822H	1
02	X14851	SPIROL PIN	Spiralstift	Goupille Spirol	spina elastica	Pasador espiral	DIA 5/16 X 1.50 CS70	1
03	8873895	1ST GEAR	Zahnrad 1. Gang	Pigon de 1eme	Ingranaggio albero principale	Engranaje 1a	STEEL SAE 8620H	1
04	8872589	SPACER	Distanzstück	Entretoise	Distanziale	Separador	CAST IRON BS 5341	1
05	X8870177	NEEDLE BEARING	Lager	Roulement	Cuscinetto	Cojinete	NEEDLE ROLLER BR	1
06	8875571	FIXED HUB	Festnabe	Moyeu fixe	mozzo fisso	Cubo fijo	STEEL 16MN Cr5	1
07	8875377	SLIDING SLEEVE	Schiebemuffe	Anneau baladeur	Manicotto scorrevole	Casquillo deslizante	STEEL 16MN Cr5	1
08	X8870356	ROLLER	Rolle	Rouleau	rullo	Rodillo	STEEL 100 Cr6	3
09	8870444	SPRING	Feder	Ressort	Molla	Ballesta	BS 2803 685A55 HD2	3
10	8870352	PLUNGER	Bolzen	Plongeur	Nottlino	Vastago	BS 3111 PT1 TYPE 9	3
11	8877441	SYNCHRO RING	Synchronring	Anneau de synchro	Andello sincronizzatore	Anillo sincro.	DIN V30 910 PT4 GRA	1
11A	8877321	SYNCHRO FLANGE	SynchronFlansch	Bride de Synchro	Flangia sincronizzatore	Brida de sincronizacion	DIN 17210 16MnCr5	1
12	8877441	SYNCHRO RING	Synchronring	Anneau de synchro	Andello sincronizzatore	Anillo sincro.	DIN V30 910 PT4 GRA	1
12A	8877321	SYNCHRO FLANGE	SynchronFlansch	Bride de Synchro	Flangia sincronizzatore	Brida de sincronizacion	DIN 17210 16MnCr5	1
13	8872582	2ND GEAR	Zahnrad 2. Gang	Pigon de 2eme	Ingranaggio albero principale	Engranaje 2a	STEEL SAE 8620H	1
14	X8870177	NEEDLE BEARING	Lager	Roulement	Cuscinetto	Cojinete	NEEDLE ROLLER BR	1
15	8875196	BEARING SLEEVE	Lagerbuchse	Manchon de roulement	pista del cuscinetto	Casquillo de cojinete	SAE 8620H OR SAE 8	1

Y06378

Mainshaft

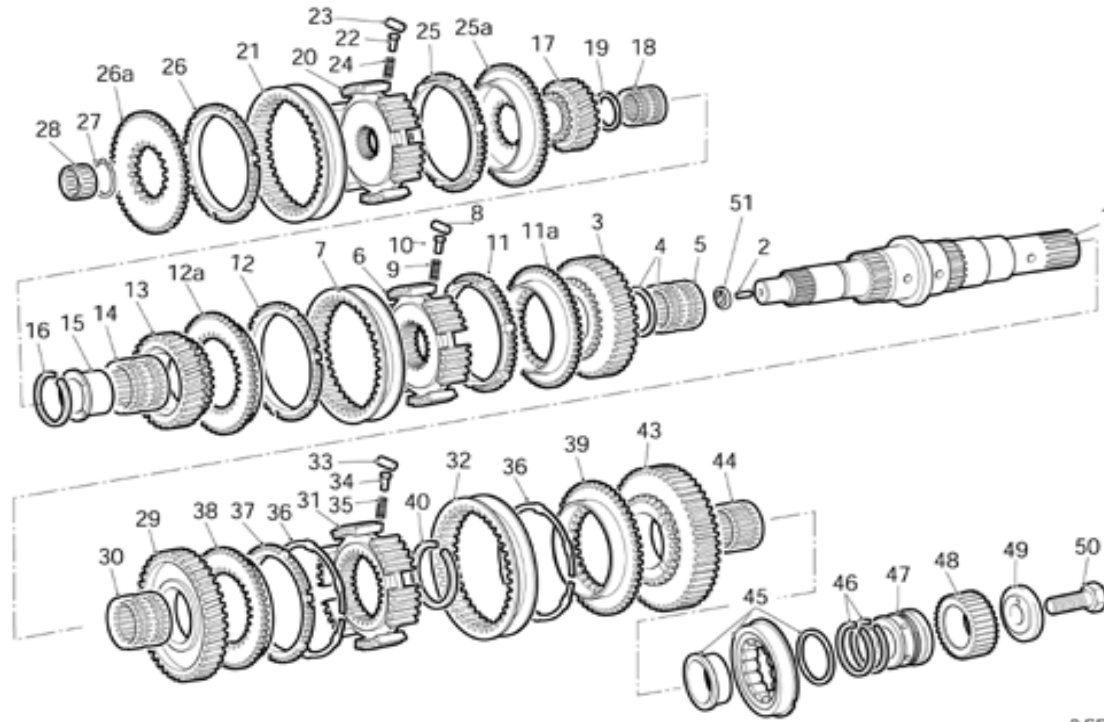


9 SR-05

Part No:	English:	Deutsch:	Français:	Italiano:	Espanol:	Tech Spec:	QTY:	
16	X8870536	CIRCLIP	Seegerring	Circlip	Anello elastico	DIA 46 X 2.00MM	1	
17	8880740	3RD GEAR	Zahnrad 3. Gang	Pigon de 3eme	Ingranaggio albero principale	STEEL 832H13	1	
18	X8875276	NEEDLE BEARING	Lager	Roulement	Cuscinetto	NEEDLE ROLLER BR	1	
19	8872588	SPACER	Distanzstück	Entretoise	Distanziale	4MM BS 5341 SAE J9	1	
20	8875554	FIXED HUB	Festnabe	Moyeu fixe	mozzo fisso	STEEL 16MnCr5	1	
21	8875377	SLIDING SLEEVE	Schiebemuffe	Anneau baladeur	Manicotto scorrevole	Casquillo deslizante	STEEL 16MnCr5	1
22	8870352	PLUNGER	Kolben	Plongeur	pistoncino	Vástago	BS 3111 PT1 TYPE 9	3
23	X8870356	ROLLER	Rolle	Rouleau	rullo	Rodillo	STEEL 100 Cr6	3
24	8870444	SPRING	Feder	Ressort	Molla	Ballesta	BS 2803 685A55 HD2	3
25	8877441	SYNCHRO RING	Synchronring	Anneau de synchro	Andello sincronizzatore	Anillo sincro.	DIN V30 910 PT4 GRA	1
25A	8877321	SYNCHRO FLANGE	SynchronFlansch	Bride de Synchro	flangia del sincronizzatore	Brida sincronizadora	DIN 17210 16MnCr5	1
26	8877441	SYNCHRO RING	Synchronring	Anneau de synchro	Andello sincronizzatore	Anillo sincro.	DIN V30 910 PT4 GRA	1
26A	8877321	SYNCHRO FLANGE	SynchronFlansch	Bride de Synchro	flangia del sincronizzatore	Brida sincronizadora	DIN 17210 16MnCr5	1
27	X8870372	CIRCLIP	Seegerring	Circlip	Anello elastico	Anillo elastico	DIA 40 X 2.00MM	1
27	X8870371	CIRCLIP	Seegerring	Circlip	Anello elastico	Anillo elastico	DIA 40 X 2.07MM	1
27	U8877531	CIRCLIP PACK	Packung Sicherungsringe	Paquet de circlips	gruppo anelli elastici	Grupo resortes circulares	NOT AVAILABLE	1
27	X8870370	CIRCLIP	Seegerring	Circlip	Anello elastico	Anillo elastico	DIA 40 X 2.12MM	1
28	X8870305	NEEDLE BEARING	Nadel	Aiguille	cuscinetto ad aghi	Cuello combust.	NEEDLE ROLLER BR	1

Y06378

Mainshaft

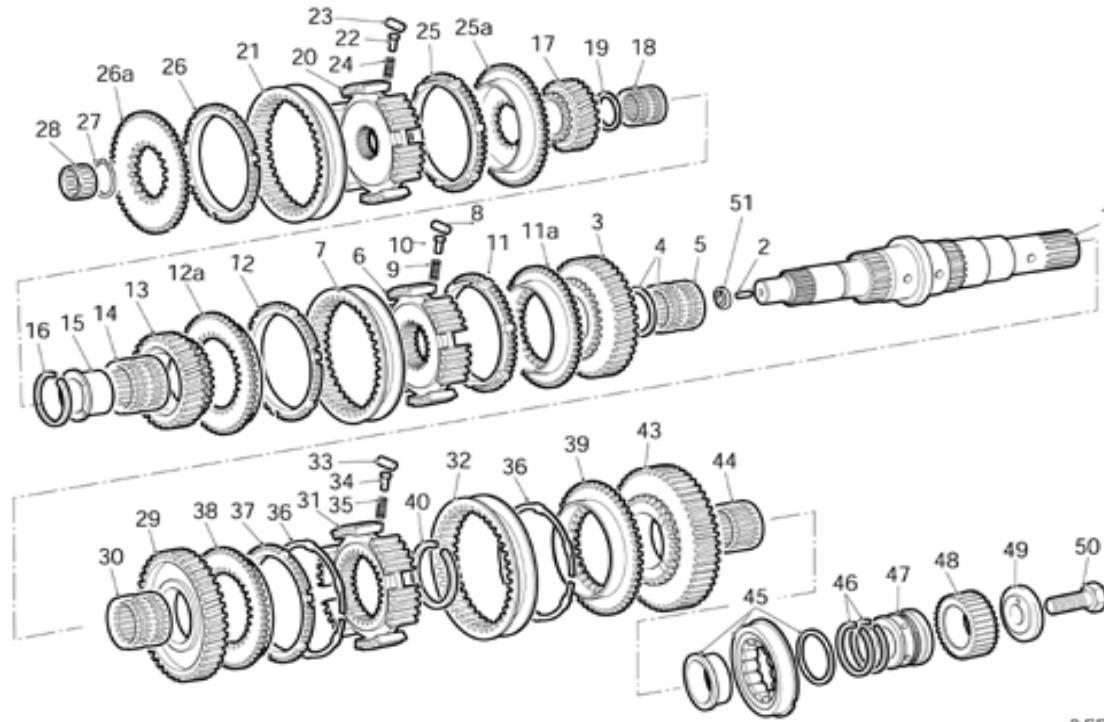


9 SR-05

Part No:	English:	Deutsch:	Français:	Italiano:	Espanol:	Tech Spec:	QTY:	
29	8873894	GEAR	Zahnrad	Zahnrad	Ingranaggio	Engranaje	STEEL SAE 8620H	1
30	X8870177	NEEDLE BEARING	Lager	Roulement	Cuscinetto	Cojinete	NEEDLE ROLLER BR	1
31	8875604	FIXED HUB	Festnabe	Moyeu fixe	mozzo fisso	Cubo fijo	STEEL 16 MnCr5	1
32	8875376	SLIDING SLEEVE	Schiebemuffe	Anneau baladeur	Manicotto scorrevole	Casquillo deslizante	STEEL 16 MnCr5	1
33	X8870356	ROLLER	Rolle	Rouleau	rullo	Rodillo	STEEL 100 Cr6	3
34	8870352	PLUNGER	Kolben	Plongeur	pistoncino	Vastago	BS 3111 PT1 TYPE 9	3
35	8870444	SPRING	Feder	Ressort	Molla	Ballesta	BS 2803 685A55 HD2	3
36	X8873994	CIRCLIP	Seegerring	Circlip	Anello elastico	Anillo elastico	BS 1429 BS 970 070A	2
37	8877313	SYNCHRO RING	Synchronring	Anneau de synchro	Andello sincronizzatore	Anillo sincro.	DIN V30 910 PT4 GRA	1
38	8877316	SYNCHRO FLANGE	Synchronflansch	Bride de Synchro	flangia del sincronizzatore	Brida sincronizadora	DIN 17210 16 MnCr5	1
39	8870415	SYNCHRO FLANGE -REVER	Synschronflansch - Rückwärt	Bride de synchro-Marche AR	retromarcia	Brida sincron. - marcha atrás	SAE 8617	1
40	X8870380	CIRCLIP	Seegerring 2.00MM	Circlip 2.00MM	Anello elastico 2.00MM	Anillo elastico	2.00MM	1
40	X8870379	CIRCLIP	Seegerring 2.05MM	Circlip 2.05MM	Anello elastico 2.05MM	Anillo elastico	2.05MM	1
40	X8870378	CIRCLIP	Seegerring 2.10MM	Circlip 2.10MM	Anello elastico 2.10MM	Anillo elastico	2.10MM	1
40	U8877532	CIRCLIP PACK	Packung Sicherungsringe	Paquet de circlips	gruppo anelli elastici	Grupo resortes circulares	NOT AVAILABLE	1
43	8872585	REVERSE GEAR	Rückwärtsgang	Pignon de marche AR	ingranaggio retromarcia	Piñón marcha atrás	STEEL SAE 8620H	1
44	X8870178	NEEDLE BEARING	Nadel	Aiguille	cuscinetto ad aghi	Cuello combust.	NEEDLE ROLLER BR	1
45	X8877164	REAR BEARING	Lagerrückseite	Roulement AR	cuscinetto posteriore	Cojinete trasero	110X50X32, 13 ROLLE	1

Y06378

Mainshaft

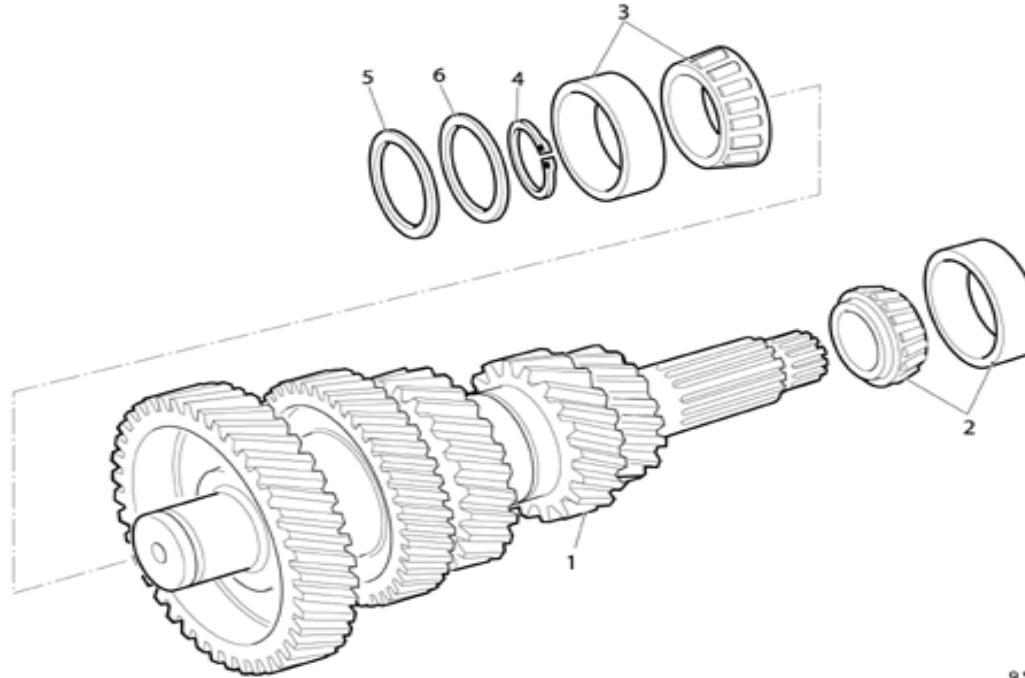


9 SR-05

Part No:	English:	Deutsch:	Français:	Italiano:	Espanol:	Tech Spec:	QTY:	
46	X8875532	SEALING RING	Dichtungsring	Anneau d'étanchéité	anello di tenuta	Arandela obturadora	CARBON FILLED PTF	2
47	8877115	OIL MUFF	Ölmanschette	Manchon d'huile	OIL MUFF	Muffa aceite	BS 970 080A42	1
48	8881203	SUN GEAR	Sonnenrad	Satellite	ingranaggio solare	Engranaje planetario	STEEL 832 H13 PER	1
49	8880594	RETAINER	Halter	arrêtoir	Tassello	Retenedor	BS 970 PT1 080M40	1
50	X8870699	SCREW	Schraube	Vis	Vite	Tornillo	ISO 4017 GRADE A	1

Y06378

Countershaft

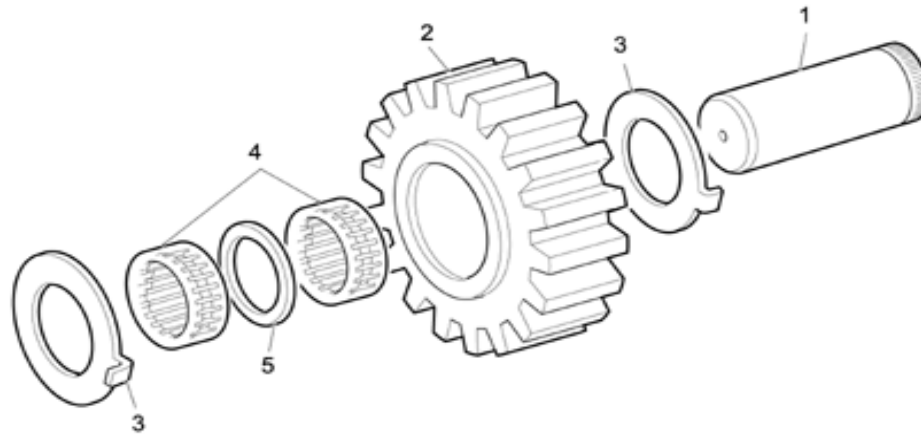


9 SR-06

Part No:	English:	Deutsch:	Français:	Italiano:	Espanol:	Tech Spec:	QTY:	
01	U8880747	LAYSHAFT ASSY	Zwischenwelle	Arbre secondaire complet	albero secundario	Conjunto del eje secundario del	NOT AVAILABLE	1
02	X8875587	BEARING ASSY	Lagermontage	Roulement complet	cuscinetto completo	Conjunto cojinete	AFBMA	1
03	X8875587	BEARING ASSY	Lagermontage	Roulement complet	cuscinetto completo	Conjunto cojinete	AFBMA	1
04	X8871540	CIRCLIP	Seegerring	Circlip	Anello elastico	Anillo elastico	1.77MM	1
04	U8877534	CIRCLIP PACK	Packung Sicherungsringe	Paquet de circlips	gruppo anelli elastici	Grupo resortes circulares	NOT AVAILABLE	1
04	X8870370	CIRCLIP	Seegerring	Circlip	Anello elastico	Anillo elastico	2.12MM	1
04	X8871538	CIRCLIP	Seegerring	Circlip	Anello elastico	Anillo elastico	1.87MM	1
04	X8871539	CIRCLIP	Seegerring	Circlip	Anello elastico	Anillo elastico	1.82MM	1
04	X8870372	CIRCLIP	Seegerring	Circlip	Anello elastico	Anillo elastico	2.00MM	1
04	X8871536	CIRCLIP	Seegerring	Circlip	Anello elastico	Anillo elastico	1.97MM	1
04	X8871537	CIRCLIP	Seegerring	Circlip	Anello elastico	Anillo elastico	1.92MM	1
04	X8870371	CIRCLIP	Seegerring	Circlip	Anello elastico	Anillo elastico	2.07MM	1
05	8875879	SPACER	Distanzstück	Entretoise	Distanziale	Separador	2MM C34 (160-195HB)	1
06	U8877535	SHIM Kit	Ausgl.schei.kit	Kit cale	Distanziale	Kit de relleno	NOT AVAILABLE	1
06	F88894	SHIM	Ausgleichsscheibe	Cale	Distanziale	Relleno	.020 EN2 BS 970	1
06	F88892	SHIM	Ausgleichsscheibe	Cale	Distanziale	Relleno	.025 EN2 BS 970	1
06	F88893	SHIM	Ausgleichsscheibe	Cale	Distanziale	Relleno	.010 EN2 BS 970	1
06	F88891	SHIM	Ausgleichsscheibe	Cale	Distanziale	Relleno	.002 EN2 BS 970	1

Y06378

Reverse Idler

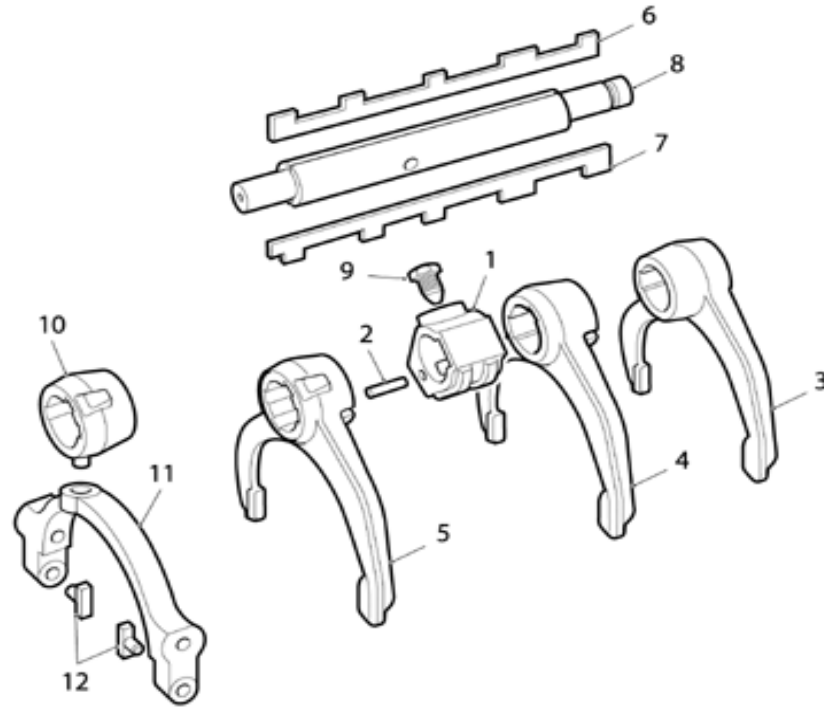


9 SR-07

Part No:	English:	Deutsch:	Français:	Italiano:	Espanol:	Tech Spec:	QTY:
01 8880069	REVERSE IDLER SHAFT	Rückwärts Welle	Axe de pignon de renvoi de m	Albero, Ingranaggio rinvio RM	Eje intermedio de MA	BS 970 PT1 070M55	1
02 8872173	REVERSE IDLER GEAR	Rückwärts-Umkehrad	Pignon de renvoi de marche A	ruota oziosa retromarcia	Intermedio de marcha atrás	STEEL SAE 8822H	1
03 8870343	THRUST WASHER	Schub-Unterlegscheibe	Rondelle de poussée	rondella di battuta	Arandela de empuje	STEEL BS 1449 CS12	2
04 X8872478	NEEDLE ROLLER	Nadel	Aiguille	cuscinetto ad aghi	Cuello combust.	NEEDLE ROLLER 12	2
05 8872479	SPACER	Distanzstück	Entretoise	Distanziale	Separador	4MM CAST IRON BS 5	1

Y06378

Selector Assy

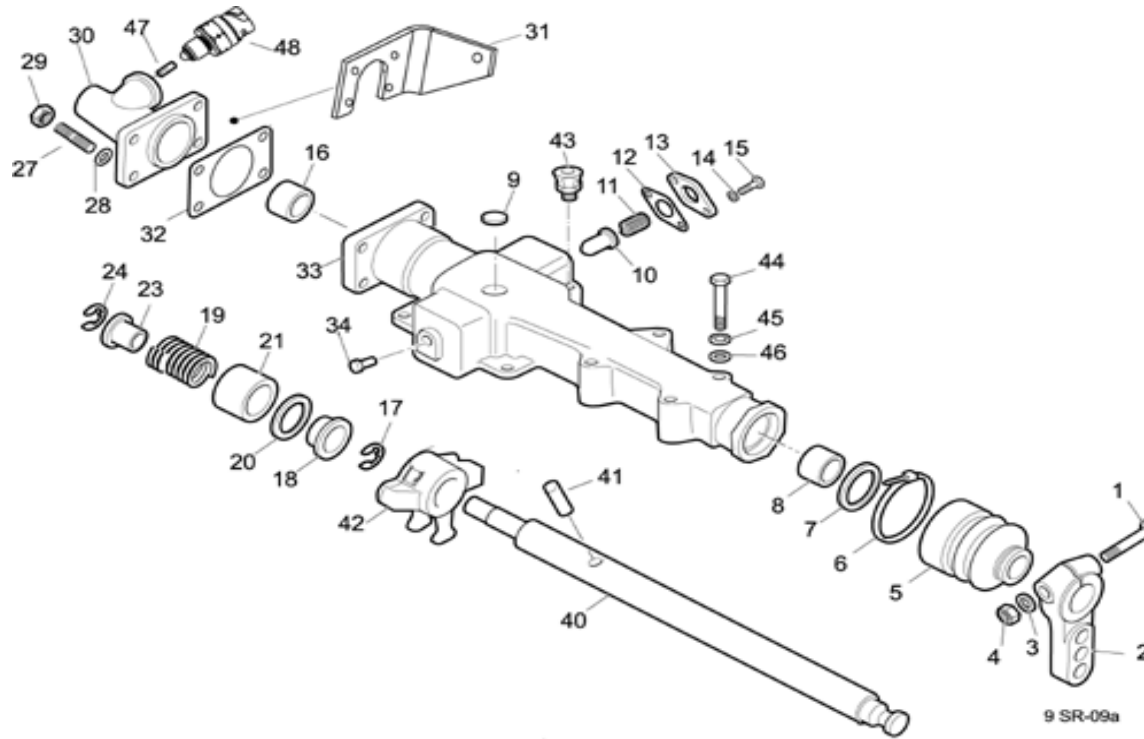


9 SR-08A

Part No:	English:	Deutsch:	Français:	Italiano:	Espanol:	Tech Spec:	QTY:	
00	U8875960	SELECTOR ASSY - HORIZ	Gangwählermontage – horizo	Sélecteur complet - Horiz	selettore completo orizzontale	Conjunto selector – Horiz.	NOT AVAILABLE	1
01	8874755	SELECTOR BLOCK	Schaltblock	Bloc sélecteur	selettore completo	Bloque selector	STEEL SAE 8620H	1
02	X8870277	DOWEL	Stift	Goupille	Spina	Pasador	DIA 10.0 X 34.6 STEE	1
03	8875496	SHIFT FORK	Gangschaltgabel	Fourchette commande de vit.	Forca	Horquilla	BS 970 080A42	1
04	8880643	SHIFT FORK	Gangschaltgabel	Fourchette commande de vit.	Forca	Horquilla	BS 970 080A42	1
05	8875494	SHIFT FORK	Gangschaltgabel	Fourchette commande de vit.	Forca	Horquilla	BS 970 080A42	1
06	8872328	SELECTOR KEY	Schalklinke	Reglette de selection	Chiavetta selettore	Llava selectora	SAE 5120, 16MnCr5 O	1
07	8872327	INTERLOCK KEY	Sperre-Schlüssel	Clavette de verrouillage	CHIAVETTA DI CONSENSO	Llave interbloqueo	SAE 5120, 16MnCr5 O	1
08	8875827	SELECTOR SHAFT	Schaltwelle	Arbre sélecteur	albero del selettore	Horqu. select.	BS 970 080M50 SAE 1	1
09	8873691	LOCATION SCREW	Zentrierschraube	Vis de localisation	vite di centraggio	Tornillo de fijación	M10 X 23 HEX HD GR	1

Y06378

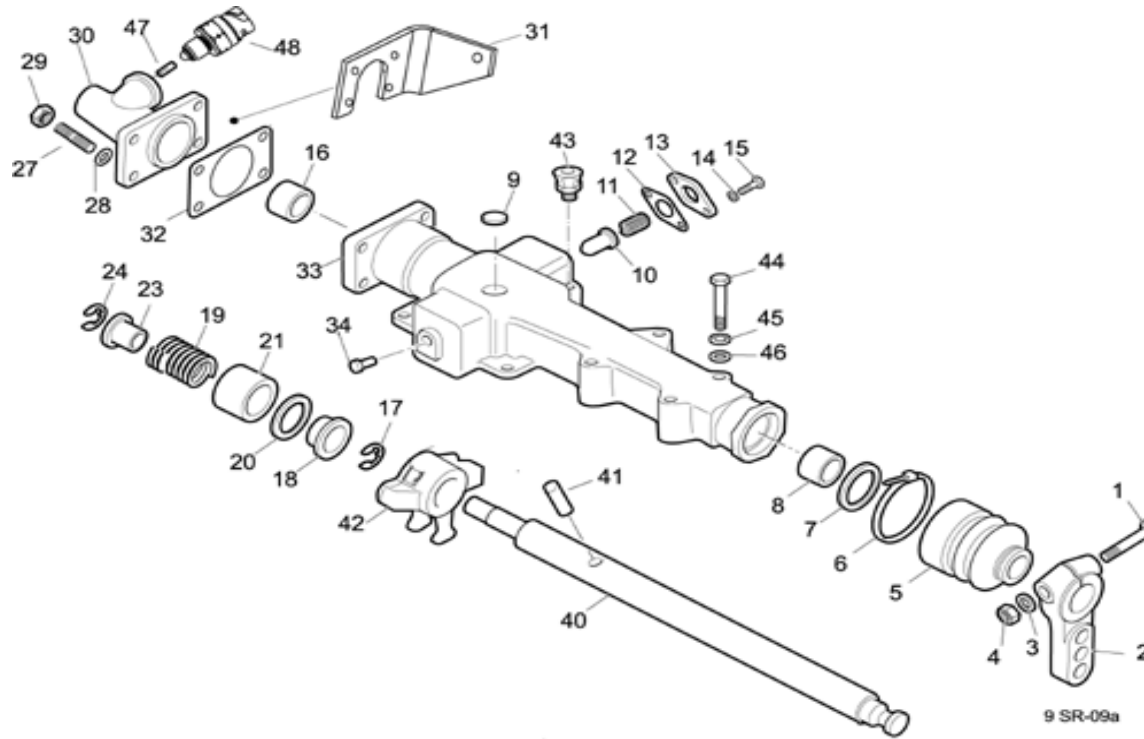
LRC



Part No:	English:	Deutsch:	Français:	Italiano:	Espanol:	Tech Spec:	QTY:	
00	U8880941	LRC ASSY	Fernbedienungsmontage	Commande à distance complè	GRUPPO COMANDI ESTER	Conjunto del control remoto	RH - HH	1
01	DMX-8-1007	BOLT	Schraubbolzen	Boulon	Vite	Perno	M10 X 50 FLG HD BS	1
02	D8876047	LEVER	Hebel	Levier	Leva	Palanca	SAE 8620H	1
04	MX-9-1005	NUT	Mutter	Ecrou	Dado	Tuerca	M10 - ISO 4161 GRAD	1
05	X8875259	BOOT ACCORDIAN	Faltenbalg	Gaîne protection accordéon	soffietto di protezione	Fuelle protector	NEOPRENE ASTM 20	1
07	X8880808	OIL SEAL	Öldichtung	Joint d'étanchéité d'huile	Anello tenuta cambio	Retén de aceite	24x35x7 MATERIAL VI	1
08	X8880299	BUSH	Buchse	Bague	Boccola	Casquillo	25X30X25 TIN BRONZ	1
09	DX8871486	PLUG-EXPANSION	Stopfen - Vergrößerung	Bouchon à expansion	tappo ad espansione	Tapón - Dilatador	STEEL BS 1449 GRA	1
10	8875415	DETENT PLUNGER	Kolben - Sperre	Plongeur - verrouillage	pistoncino di ritegno	Vástago - Detención	STEEL SAE - 8620H	1
11	8875359	SPRING COMPRESSION	Feder, verdichtungs-/kompres	Ressort de compression	Compressione de Molla	Ballesta	SiCr BS 2803 685A55	1
12	8870590	GASKET	Dichtung	Joint	Guarnizione	Junta	CORK ASTM F104 F2	1
13	D8870259	COVER - DETENT	Deckel - Sperre	Couvercle	Coperchio	Tapa	BS 1449 PT1 GRADE	1
14	DMX-3-0801	SPRING WASHER	Federscheibe	Rondelle grower	Rondella di sicurezza	Arandela elásti	M8 BS 4464 TYPE B	2
15	DMX-8-0801	SCREW	Schraube	Vis	Vite	Tornillo	M8 X 14 HEX HD BS 3	2
16	X8880299	BUSH	Buchse	Bague	Boccola	Casquillo	25X30X25 TIN BRON	1
17	X8874450	CIRCLIP	Seegerring	Circlip	Anello elastico	Anillo elastico	25 Dia BS1449 CS80 o	1
18	8876567	SPRING RETAINER	Federsicherung	Retenue de ressort	SCODELLINO MOLLA	Sujetaresorte	STEEL BS970 220M07	1
19	8873737	SPRING COMPRESSION	Feder, verdichtungs-/kompres	Ressort de compression	Compressione de Molla	Ballesta	SiCr BS 2803 685A55	1

Y06378

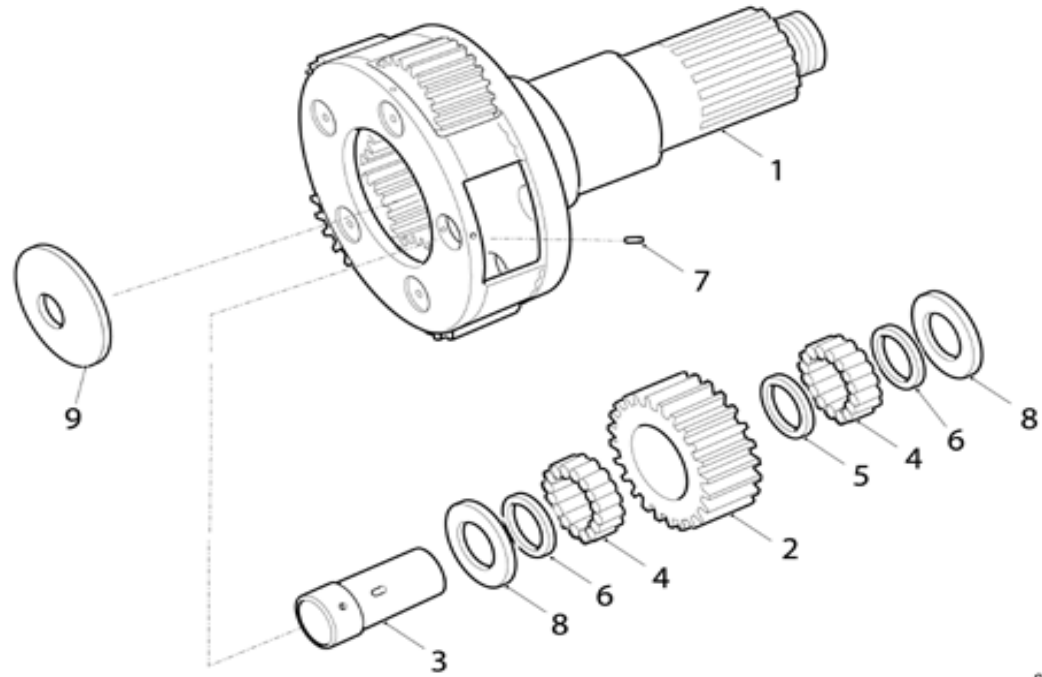
LRC



Part No:	English:	Deutsch:	Français:	Italiano:	Espanol:	Tech Spec:	QTY:	
23	8876566	SPRING RETAINER	Feder-Halter – Verstärker	Retenue de ressort - renforc.	ritegno molla-di spinta	Sujetaresorte – Reforzador	STEEL BS970 220M07	1
24	X8874450	CIRCLIP	Seegerring	Circlip	Anello elastico	Anillo elastico	25 Dia BS1449 CS80 o	1
27	2772071	STUD	Stiftschraube	Goujon	Pridioniero	Espárrago	M12 x 75MM	4
29	MX-9-0803	NUT	Mutter	Ecrou	Dado	Tuerca	NUT M8 HEX FLG CL	4
30	8880942	END COVER	Enddeckel	Couvercle d'extrémité	coperchio finale	Tapa final	ALUMINIUM LM27M	1
31	8881026	BRACKET REACTION ROD	Konsolen	Support	staffa	Soportes/Abrazaderas	STEEL 070M20 BS 97	1
32	X8880639	'O' RING	Ring -O	Joint torique	Guarnizione toroidale	Tuberías nylon	DIA 24.5	1
33	8880665	LRC HOUSING	Fernbedienungsgehäuse	Carter commande à distance	scatola torretta	Caja control remoto	ALUMINIUM BS 1490-	1
34	8871375	PIN	Anschlußstift	Broche	perno	Contacto	STEEL BS970 Pt 3 80	1
40	8880943	CROSS SHAFT	Schaltung	Levier rapport	Tirante regola	Varilla regulad.	BS 970 PART 1 080 A	1
41	X8871378	DOWEL	Dübel, stift	(Douille)Goujon Perdu	Spina	Punto guia	MILD STEEL 47-63 Kg	1
42	8880200	INNER STRIKING LEVER	Hebel	Levier	Leva	Palanca	ASTM A 732 13Q	1
43	X2014210	BREATHER	Entlüfter	Reniflard	Sfiatoi	Respiradero	STEEL 1/8 NPTF	1
44	DMX-8-1005	BOLT	Schraubbolzen	Boulon	Vite	Perno	M10 X 55 BS3692 OR	2
45	DX11245	WASHER	Scheibe	Rondelle	Rondella	Arrandela	M10 X 2MM-CS4	2
46	DMX-3-1001	SPRING WASHER	Federscheibe	Rondelle grower	Rondella di sicurezza	Arandela elásti	M10 X 2.2MM BS 4464	2
47	8880944	PIN	Anschlußstift	Broche	perno	Contacto	STEEL SAE 8620 RH	1
48	8880185	SWITCH	Leerlaufschalter	Contacteur point mort	interuttore del folle	Conmutador de punto muerto	NOT AVAILABLE	1

Y06378

Planet Carrier

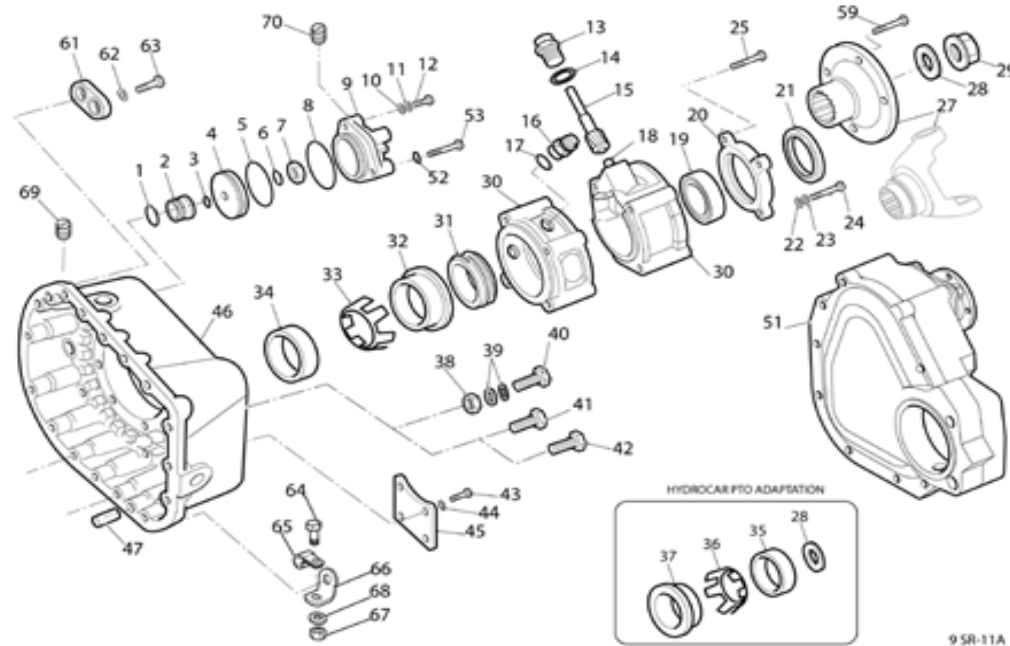


9 SR-10A

	Part No:	English:	Deutsch:	Français:	Italiano:	Espanol:	Tech Spec:	QTY:
01	U8880305	OUTPUT SHAFT ASSY	Ausgangswelle	Arbre de sortie	albero di uscita	Eje de salida	NOT AVAILABLE	1
02	8881523	PLANET GEAR	Planetenrad	Pignon de planétaire	ingranaggio satellite	Engranaje planetario	STEEL BS 970 EN36B	5
03	8876972	PLANET SPINDLE	Planeten spindle	Fuseau de planétaire	Spindle	Eje satélite	STEEL SAE 8620H	5
04	8876968	ROLLER	Rolle	Rouleau	rullo	Rodillo	STEEL CR6	180
05	8872741	SPACER	Distanzstück	Entretoise	Distanziale	Separador	STEEL 1.7MM BS 970	5
06	8874827	THRUST WASHER	Schub-Unterlegscheibe	Rondelle de poussée	rondella di battuta	Arandela de empuje	0.4MM	10
07	MX-11-0601	SCREW	Schraube	Vis	Vite	Tornillo	M6 X 10 BS 4168 GRA	5
08	8876893	THRUST WASHER	Schub-Unterlegscheibe	Rondelle de poussée	rondella di battuta	Arandela de empuje	1.5MM PHOSPHOR B	10

Y06378

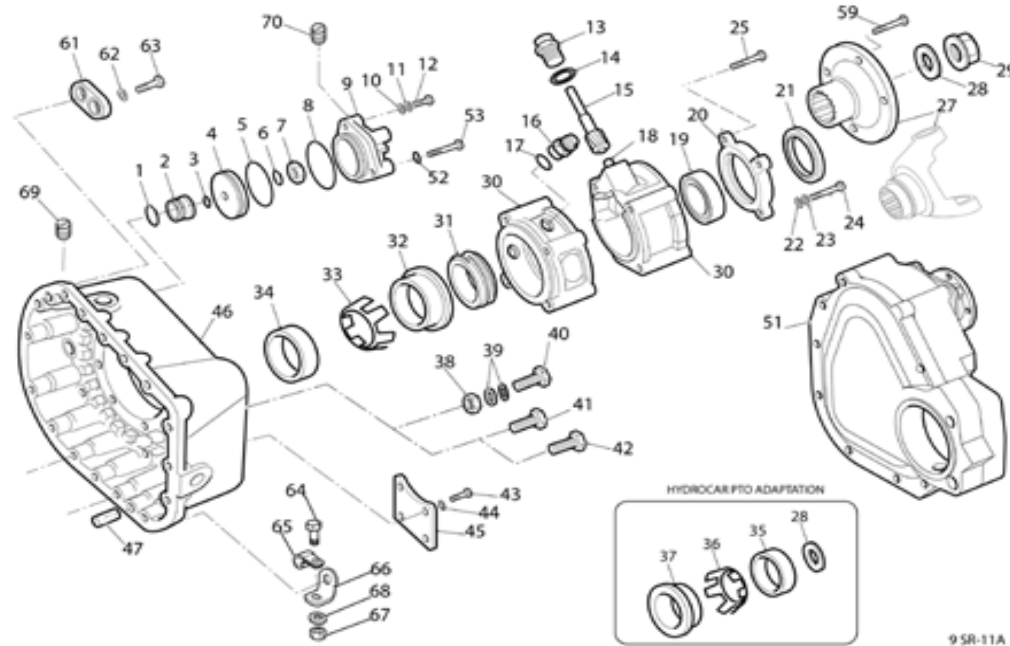
Rear Housing



Part No:	English:	Deutsch:	Français:	Italiano:	Espanol:	Tech Spec:	QTY:	
00	U8880789	REAR HOUSING ASSY	Nachschaltgehäuseruppenge	Carter Arriere assemble	Complessivo scatola posterior	Conjunto tapa trasera	NOT AVAILABLE	1
01	X8875292	'O' RING	Ring -O	Joint torique	Guarnizione toroidale	Tuberías nylon	DIA 34.5 VITON ASTM	1
02	8875293	BUSH	Buchse	Bague	Boccola	Casquillo	BS 1452 GRADE 150	1
03	X8871258	'O' RING	Ring -O	Joint torique	Guarnizione toroidale	Tuberías nylon	DIA 24.5 VITON ASTM	1
04	8875179	PISTON RANGE CYLINDER	Kolbenbereichszylinder	Cylindre de piston de gamme	pistone cambio gamma	Pistón cilindro gama	BS 1490 LM24	1
05	14344	'O' RING	Ring -O	Joint torique	Guarnizione toroidale	Tuberías nylon	SAE J200 MHK710 Z1	1
06	14345	'O' RING	Ring -O	Joint torique	Guarnizione toroidale	Tuberías nylon	SAE J200 MKK710 Z1	1
07	MX-9-1602	NUT	Mutter	Ecrou	Dado	Tuerca	M16 X 2 DIN 934 GRA	1
08	X8873008	'O' RING	Ring -O	Joint torique	Guarnizione toroidale	Tuberías nylon	ASTM 2000 2HK A-10	1
09	8875430	CYLINDER - RANGE	Zylinder – Bereich	Cylindre de gamme	cilindro gamma	Cilindro - Gama	BS 1490 LM24 ALUMI	1
10	DX11245	WASHER	Scheibe	Rondelle	Rondella	Arrandela	M10 X 2MM-CS4	3
11	DMX-3-1001	SPRING WASHER	Federscheibe	Rondelle grower	Rondella di sicurezza	Arandela elásti	M10 X 2.2MM BS 4464	3
12	DMX-8-1067	BOLT	Schraubbolzen	Boulon	Vite	Perno	M10 X 60 HEX HD BS	3
13	X8882393	SPEEDO PICKUP	Tachogeber	Pick-up - tachymètre	trasmettitore tachimetro	Sensor del velocímetro	NOT AVAILABLE	1
19	X8872721	BEARING	Lager	Roulement	Cuscinetto	Cojinete	BASIC BEARING No.6	1
20	8871992	REAR COVER OIL SEAL	Rückdeckel	Couvercle AR	coperchio posteriore	Tapa trasera	BS 1490 LM27M	1
21	X8872722	OIL SEAL	Öldichtung	Joint d'étanchéité d'huile	Anello tenuta cambio	Retén de aceite	NOT AVAILABLE	1
22	DX11245	WASHER	Scheibe	Rondelle	Rondella	Arrandela	M10 X 2MM-CS4	4

Y06378

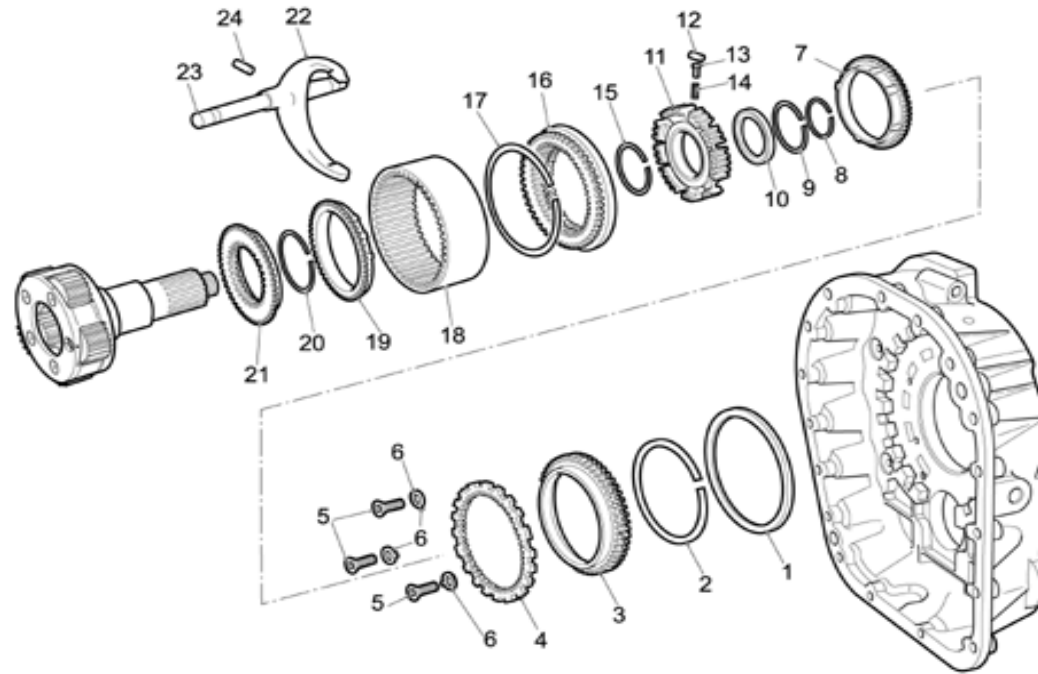
Rear Housing



Part No:	English:	Deutsch:	Français:	Italiano:	Espanol:	Tech Spec:	QTY:	
23	DMX-3-1001	SPRING WASHER	Federscheibe	Rondelle grower	Rondella di sicurezza	Arandela elásti	M10 X 2.2MM BS 4464	4
24	DMX-8-1012	BOLT	Schraubbolzen	Boulon	Vite	Perno	M10 X 100 HEX HD DI	3
25	DMX-8-1035	SCREW	Schraube	Vis	Vite	Tornillo	M10 X 100MM DIN 931	1
27	D8877225	COUPLING FLANGE	Flansch	Bride de Sortie	Flangia	Brida de acoplamiento	NOT AVAILABLE	1
28	8877209	SPACER	Distanzstück	Entretoise	Distanziale	Separador	6MM - SAE 8620H	1
29	X8870553	NUT	Mutter	Ecrou	Dado	Tuerca	M39 NYLOC BS 970 P	1
30	8874013	REAR COVER - ELEC. SPEE	Rückdeckel – elektr. Tacho	Couvercle AR - Tachym. élec.	coperchio tachimetro elettronico	Tapa trasera del velocímetro ele	ALUMINIUM BS 1490	1
31	8880182	SPEEDO DRIVE GEAR	Tacho-Rotor	Rotor de tachygraphe	rotore tachigrafo	Corona per impulsors del tacó	STEEL SAE 8620 H	1
38	MX-9-1005	NUT	Mutter	Ecrou	Dado	Tuerca	M10 - ISO 4161 GRAD	17
40	DMX-8-1080	BOLT	Schraubbolzen	Boulon	Vite	Perno	M10 X 58MM ISO 4162	17
43	DMX-8-1209	SCREW	Schraube	Vis	Vite	Tornillo	M12 X 25MM BS 3692	4
44	DMX-3-1201	SPRING WASHER	Federscheibe	Rondelle grower	Rondella di sicurezza	Arandela elásti	M12 BS 4464 TYPE B	4
45	D8873917	COVER - LAYSHAFT REAR	Deckel – Zwischenwelle	Couvercle - arbre intermédiaire	Coperchio	Tapa - Eje secundario del camb	BS 970 PT1 1983 070	1
46	8874367	REAR CASE	Hinteres Gehäuse	Carter AV	Scatola posteriore	Carcasa trasera	ALUMINIUM BS1490 L	1
47	X8870543	DOWEL	Dübel, stift	(Douille)Goujon Perdu	Spina	Punto guía	16.0 DIA X 30.5MM BS 2	2

Y06378

Range Section

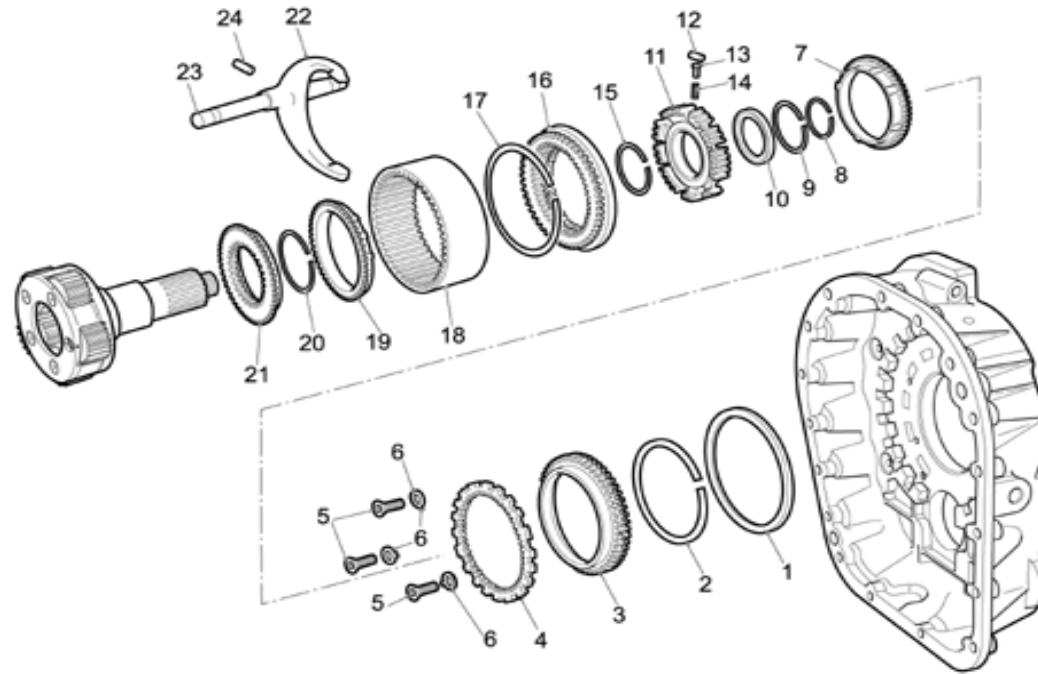


9 SR-12

Part No:	English:	Deutsch:	Français:	Italiano:	Espanol:	Tech Spec:	QTY:	
01	8870808	SPACER	Distanzstück	Entretoise	Distanziale	Separador	5.5 THICK	1
02	X8873993	CIRCLIP -	Seegerring	Circlip	Anello elastico	Anillo elastico	2.5 THICK BS 1449 C	1
03	8877322	SYNCHRO FLANGE	SynchronFlansch	Bride de Synchro	Flangia sincronizzatore	Brida de sincronizacion	DIN 17210 16MnCr5	1
04	8875646	REACTION PLATE	Reaktionsplatte	Plaque de réaction	piastra di reazione	Placa de reacción	STEEL 8620RH	1
05	MX-8-0806	SCREW	Schraube	Vis	Vite	Tornillo	M8 X 20MM DIN 7991	3
06	8870848	REACTION PLATE	Reaktionsplatte	Plaque de réaction	piastra di reazione	Placa de reacción	BS 970 070M20	3
07	8877442	SYNCHRO RING	Synchronring	Anneau de synchro	Andello sincronizzatore	Anillo sincro.	DIN V30 910 PT4 GRA	1
08	X8870344	CIRCLIP	Seegerring	Circlip	Anello elastico	Anillo elastico	BS 1449 CS80 OR SA	1
09	X8870341	CIRCLIP - INT/L PLAIN	Seegerring	Circlip	Anello elastico	Anillo elastico	BS 1449 CS 80 OR SA	1
10	X8870844	BALL BEARING	Kugellager	Roulement à billes	cuscinetto a sfere	Cojinete de bolas	75X95X10, STEEL CA	1
11	8875881	FIXED HUB	Festnabe	Moyeu fixe	mozzo fisso	Cubo fijo	16MnCr5	1
12	X8870355	ROLLER	Rolle	Rouleau	rullo	Rodillo	STEEL - 100CR6	9
13	8870352	PLUNGER	Kolben	Plongeur	pistoncino	Vástago	BS 3111 PT1 TYPE 9	9
14	8870444	SPRING	Feder	Ressort	Molla	Ballesta	BS 2803 685A55 HD2	9
15	X8870341	CIRCLIP - INT/L PLAIN	Seegerring	Circlip	Anello elastico	Anillo elastico	BS 1449 CS80 OR SA	1
16	8880232	SLIDING SLEEVE	Schiebemuffe	Anneau baladeur	Manicotto scorrevole	Cubierta traser	DIN 17210 16MnCr5	1
17	X8875296	CIRCLIP	Seegerring	Circlip	Anello elastico	Anillo elastico	BS 1449 CS 80 OR SA	1
18	8880231	ANNULUS	Planetenrad	Roue planetaire	Ingranaggio planetar	Rueda planetar	STEEL 16MnCr5	1

Y06378

Range Section

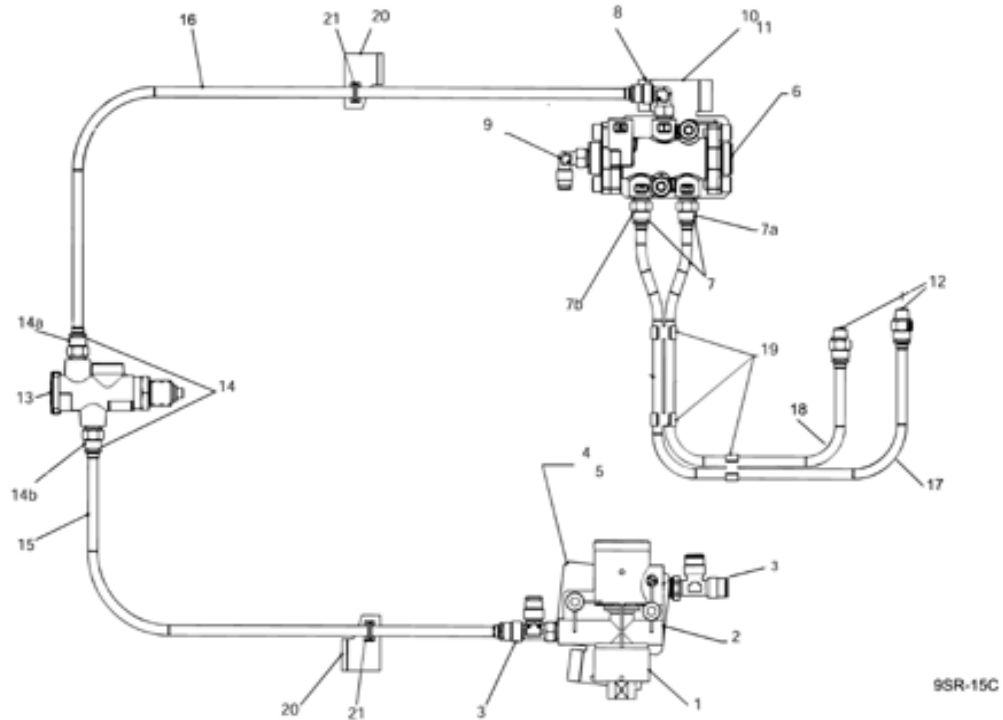


9 SR-12

Part No:	English:	Deutsch:	Français:	Italiano:	Espanol:	Tech Spec:	QTY:	
19	8877442	SYNCHRO RING	Synchronring	Anneau de synchro	Andello sincronizzatore	Anillo sincro.	DIN V30 910 PT4 GRA	1
20	X8870342	CIRCLIP	Seegerring	Circlip	Anello elastico	Anillo elastico	BS 1449 CS80 or SAE	1
21	8877323	SYNCHRO FLANGE	SynchronFlansch	Bride de Synchro	Flangia sincronizzatore	Brida de sincronizacion	DIN 17210 16MnCr5	1
22	8872737	HI-LO SHIFT FORK	Hoch-Niedrig-Schaltgabel	Fourchette de sélection haut-b	forcella selezione cambio gamm	Horquilla selección cambio gam	BS 970 PT1 080A42	1
23	8872626	HI-LO SHIFT ROD	Hoch-Niedrig-Schaltstange	Biellette de sélection haut-bas	asta selezione cambio gamm	Varilla selección cambio gama	BS 970 PT1 070M55	1
24	X8870726	DOWEL	Dübel, stift	(Douille)Goujon Perdu	Spina	Punto guia	8,0 DIA X 40MM MILD	1

Y06378

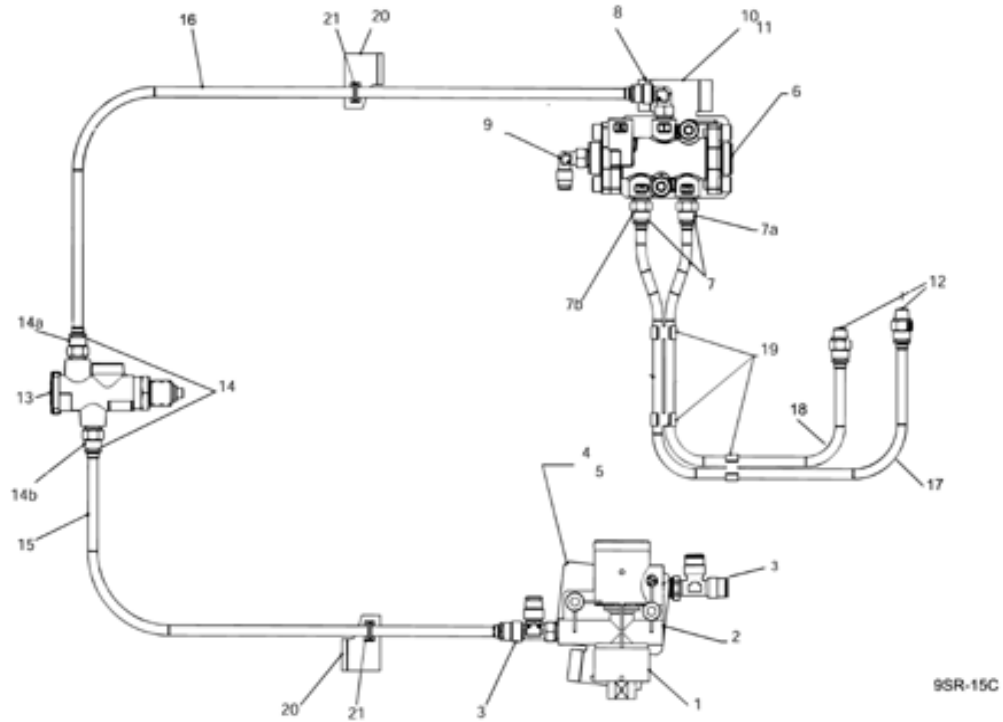
Air System



Part No:	English:	Deutsch:	Français:	Italiano:	Espanol:	Tech Spec:	QTY:	
00	U8880265	RANGE CONTROL ASSY	Bereichssteuerungs-Montage	Commande de gamme complète	comando gamma completo	Conjunto control gama	NOT AVAILABLE	1
01	X8880109	AIR FILTER REG	Luftfilterregler	Réglul. filtre à air	filtro regolatore dell'aria	Filtro regulador de aire	NOT AVAILABLE	1
02	DX2013517	PIPE PLUG	Rohrstopfen	Bouchon fileté	tappo a pipa	Tapón roscado	1/8	1
03	U8881542	ADAPTOR	Adapter	Adaptateur	Utensile	Utensilt	NOT AVAILABLE	1
04	8880659	MOUNTING BRACKET	Schienenplatte	Support	Connettore diritto	Abrazadera	BS 970 Pt 1 220M07	1
05	X8880151	TORX SCREW	Schraubbolzen	Boulon	Vite	Perno	MILD STEEL	2
06	X8880844	VALVE	Ventil	Valve	valvola	Válvula	4/2 -RNG INHIB	1
07a	X8880846	ELBOW	Winkel	Coude	gomito	Codo	1/8 BSP TO 4 MM TUB	1
07b	U8881390	ELBOW ASSY	Winkel	Coude	gomito	Codo	NOT AVAILABLE	1
08	X8881538	STRAIGHT ADAPTOR	Gerader Adapter	Adaptateur d'élément droit	raccordo diritto	Adaptador recto	STRAIGHT, BSP TO 6	1
09	X8881551	STRAIGHT ADAPTOR	Gerader Adapter	Adaptateur d'élément droit	raccordo diritto	Adaptador recto	NOT AVAILABLE	1
10	8880659	MOUNTING BRACKET	Schienenplatte	Support	Connettore diritto	Abrazadera	BS 970 Pt 1 220M07	1
11	X8880151	TORX SCREW	Schraubbolzen	Boulon	Vite	Perno	MILD STEEL	1
12	X8880846	ELBOW	Winkel	Coude	gomito	Codo	1/8 BSP TO 4 MM TUB	2
13	X8880054	POPPET VALVE	Schnüffelventil	Microvalve	valvola di consenso	Válvula de seta	312	1
14a	X8881538	STRAIGHT ADAPTOR	Gerades Element	Elément droit Adaptateur	diritto Utensile	Elemento recto Utensilt	STRAIGHT, BSP TO 6	1
14b	U8881390	ELBOW ASSY	Winkel	Coude	gomito	Codo	NOT AVAILABLE	1
15	X8881545	PIPE	Rohrstopfen	Bouchon fileté	tappo a pipa	Tapón roscado	6MM DIN73378	1

Y06378

Air System



Part No:	English:	Deutsch:	Français:	Italiano:	Espanol:	Tech Spec:	QTY:	
20	8880634	BRACKET	Konsolen	Support	staffa	Soportes/Abrazaderas	BS 970 Pt1 220M07	2
21	X8880635	PIPE CLIP	Rohrclip	Clip de pipe	clip del tubo	clip del tubo	No standard	2