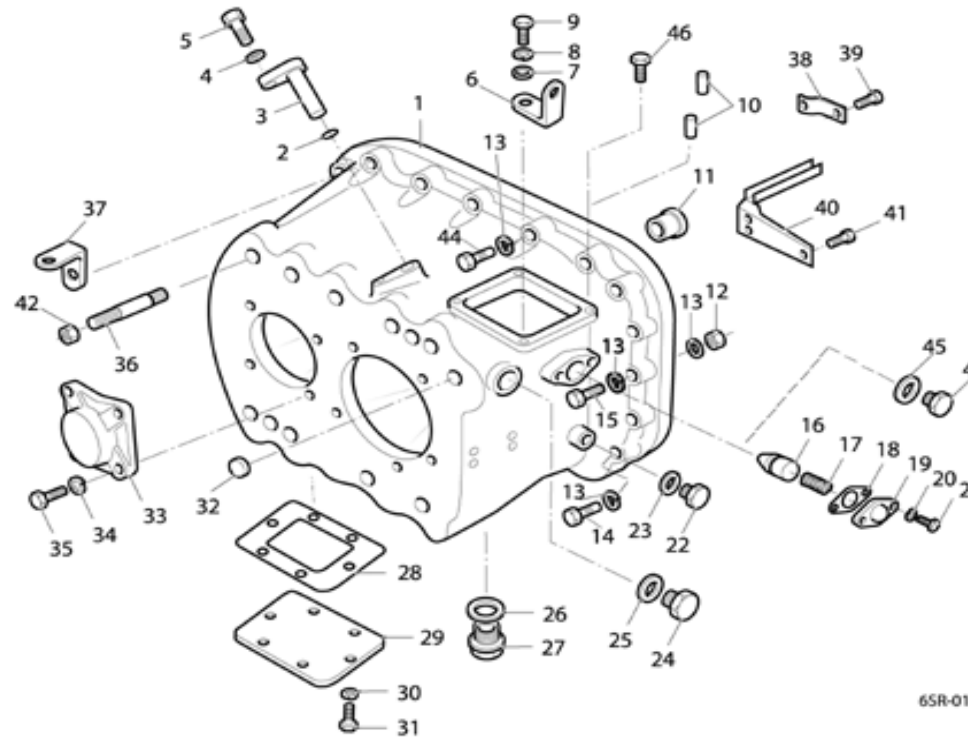


# Y05185

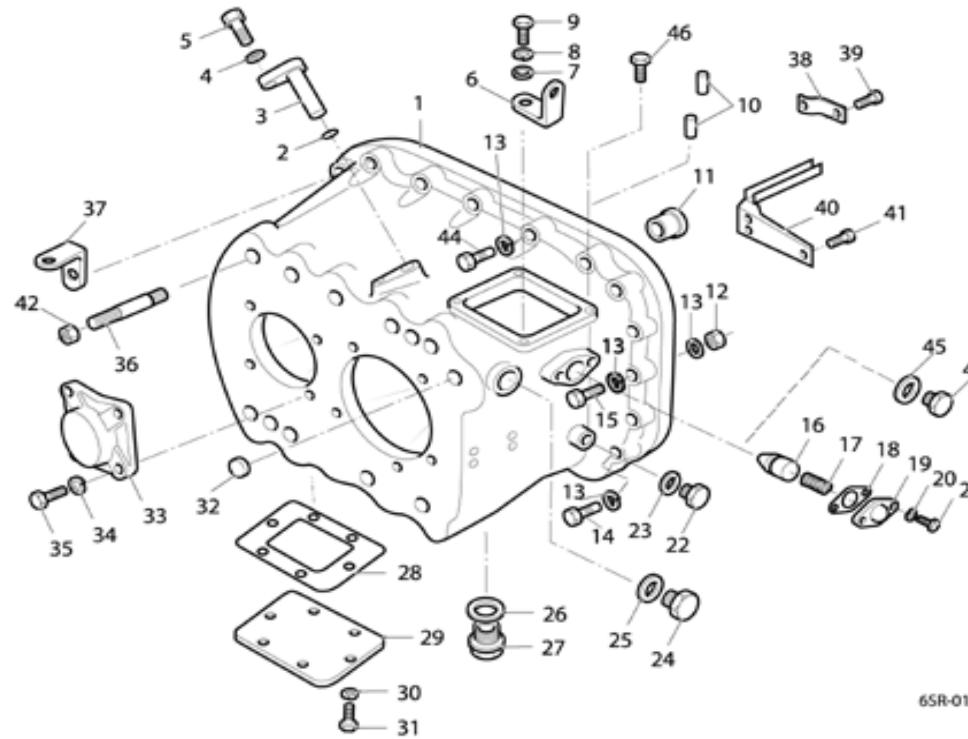
## Frontcase



Part No:	English:	Deutsch:	Français:	Italiano:	Espanol:	Tech Spec:	QTY:	
00	U8882058	FRONT CASE ASSY	Vordergehäuse-Montage	Carter AV	Scatola anteriore	Tapa delantera	NOT AVAILABLE	1
01	8882019	FRONT CASE	Vorerer Gehäuse	Carter AV	Scatola anteriore	Tapa delantera	ALUMINIUM BS1490 LM2	1
07	DX11245	WASHER	Scheibe	Rondelle	Rondella	Arrandela	M10 X 2MM-CS4	4
08	DMX-3-1001	SPRING WASHER	Federscheibe	Rondelle grower	Rondella di sicurezza	Arandela elásti	M10 X2.2MM BS 4464 TY	4
09	DMX-8-1003	SCREW	Schraube	Vis	Vite	Tornillo	M10 X 35 HEX HD BS 36	4
10	X8870542	DOWEL	Dübel, stift	Goujon	Spina	Cabilla	8.0 DIA X 16 BS 1804 PT	2
11	8882415	BUSH	Buchse	Bague	Boccola	Casquillo	SAE 8620H	1
12	MX-9-1005	NUT	Mutter	Ecrou	Dado	Tuerca	M10 - ISO 4161 GRADE	15
14	MX-8-1079	SCREW	Schraube	Vis	Vite	Tornillo	M10 x 40 ISO 4162 GRA	3
15	DMX-8-1080	BOLT	Schraub	Boulon	Vite	Perno	M10 X 58MM ISO 4162 G	15
16	8873654	PLUNGER	Bolzen	Plongeur	Nottlino	Vastago	STEEL SAE 8620H	1
17	8874897	COMPRESSION SPRING	Feder	Ressort	Molla	Ballesta	SiCr BS 2803 685A55 N.	1
18	8870590	GASKET	Dichtung	Joint	Guarnizione	Junta	CORK ASTM F104 F22 9	1
19	D8870259	COVER-DETENT	Deckel	Couvercle de verrouillage	Coperchio fermo	Tapa reten	BS 1449 PT1 GRADE 4	1
20	DMX-3-0801	SPRING WASHER	Federscheibe	Rondelle grower	Rondella di sicurezza	Arandela elásti	M8 BS 4464 TYPE B	2
21	DMX-8-0801	SCREW	Schraube	Vis	Vite	Tornillo	M8 X 14 HEX HD BS 369	2
22	DX8874942	OIL FILLER PLUG	Oleinfüllschraibe	Bouchon rempl.d'huile	Tappo riemp.olio	Orificio de llenado aceit	STEEL GRADE 4.6	1
23	X8880519	WASHER	Scheibe	Rondelle	Rondella	Arrandela	DOWTY SEAL	1

# Y05185

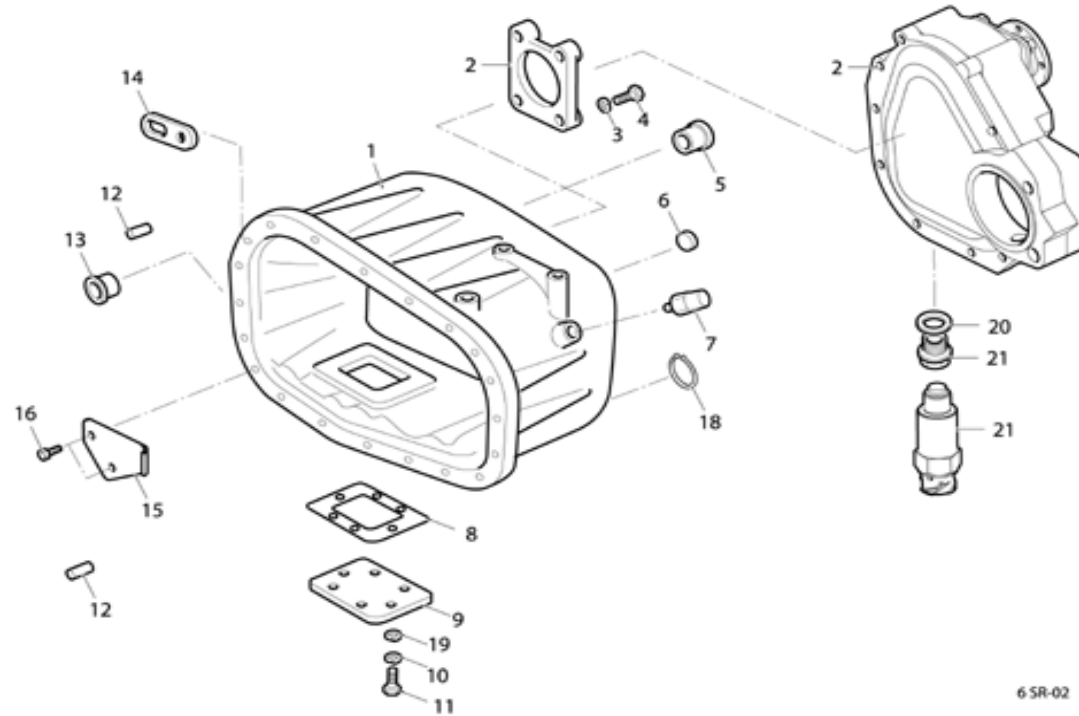
## Frontcase



Part No:	English:	Deutsch:	Français:	Italiano:	Espanol:	Tech Spec:	QTY:	
26	X8880519	WASHER	Scheibe	Rondelle	Rondella	Arrandela	DOWTY SEAL	1
27	DX8874941	MAGNETIC PLUG	Ablasstopfen	Bouchon vidange	Tappo	Tapón de vaciad	M24 - STEEL GRADE 46	1
29	8881616	COVER	Deckel	Couvercle	Coperchio	Tapa	SAE 1015-1025 PICKLED	1
30	DMX-3-1001	SPRING WASHER	Federscheibe	Rondelle grower	Rondella di sicurezza	Arandela elásti	M10 X2.2MM BS 4464 TY	6
31	DMX-8-1001	SCREW	Schraube	Vis	Vite	Tornillo	M10 X 20 BS 3692 GRAD	6
32	D8870278	CUP PLUG	Veschlußschraube	Bouchon	Tappo nucleo	Tapón acopado	ASTM A284 GRADED	1
33	8880554	COVER	Deckel	Couvercle	Coperchio	Tapa	STEEL SAE 8620H	1
34	DMX-3-1201	SPRING WASHER	Federscheibe	Rondelle grower	Rondella di sicurezza	Arandela elásti	M12 BS 4464 TYPE B	4
35	DMX-8-1209	SCREW	Schraube	Vis	Vite	Tornillo	M12 X 25MM BS 3692 G	4
38	8872603	OIL TROUGH	Olleitblech	Cuve a huile	Raccogliore olio	Cubeta aceite	STEEL BS 1449 GRADE	1
39	X8872604	SCREW	Schraube	Vis	Vite	Tornillo	6mm DIA x 12.7 - HARDE	2

# Y05185

## Rearcase

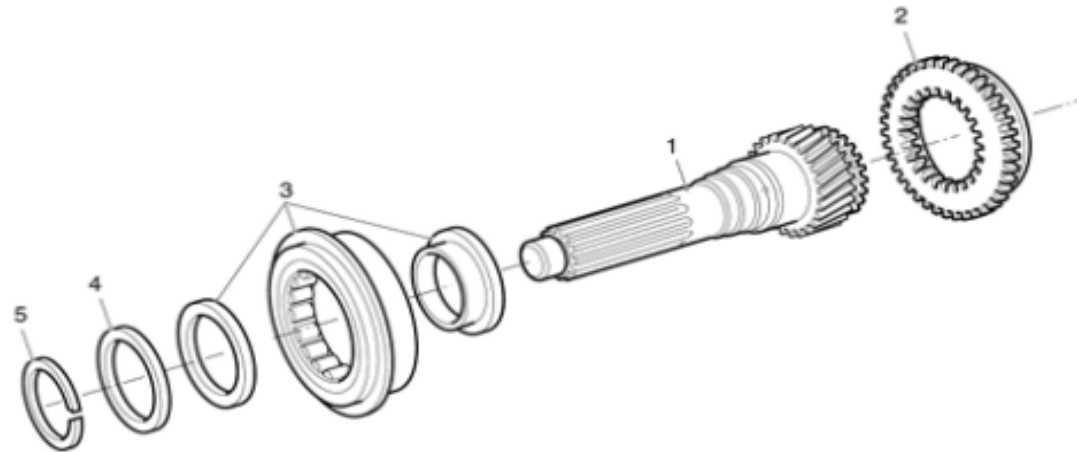


6 SR-02

Part No:	English:	Deutsch:	Français:	Italiano:	Espanol:	Tech Spec:	QTY:	
00	U8876807	REAR CASING ASSY.	Hinteres Gehäuse	Carter Amere	Scatola Posteriore	Tapa Trasera	VERTICAL	1
01	8876779	REAR CASE	Hinteres Gehäuse	Carter AR	Scatola posteriore	Tapa trasera	ALUMINIUM BS 1490 LM	1
02	8880554	COVER	Deckel	Couvercle	Coperchio	Tapa	STEEL SAE 8620H	1
03	DMX-3-1201	SPRING WASHER	Federscheibe	Rondelle grower	Rondella di sicurezza	Arandela elásti	M12 BS 4464 TYPE B	4
04	DMX-8-1210	SCREW	Schraube	Vis	Vite	Tornillo	M12 x 30 STEEL GRADE	4
05	D8870278	CUP PLUG	Veschlußschraube	Bouchon	Tappo nucleo	Tapón acopado	ASTM A284 GRADED	1
06	X8880496	CUP PLUG	Veschlußschraube	Bouchon	Tappo nucleo	Tapón acopado	DOWTY SEAL	1
09	8881616	COVER	Deckel	Couvercle	Coperchio	Tapa		1
10	DMX-3-1001	SPRING WASHER	Federscheibe	Rondelle grower	Rondella di sicurezza	Arandela elásti	M10 X2.2MM BS 4464 TY	6
11	DMX-8-1001	SCREW	Schraube	Vis	Vite	Tornillo	M10 X 20 BS 3692 GRAD	6
12	X8870543	DOWEL	Dübel, stift	Goujon	Spina	Cabilla	16.0 DIA X 30.5 BS 1804	2
13	8882415	BUSH	Buchse	Bague	Boccola	Casquillo	SAE 8620H	1
15	8874494	PLATE	Platte	Plaque	Disco	Placa	MILD STEEL PLATE	1
16	8874473	SCREW	Schraube	Vis	Vite	Tornillo	3.5mm DIA x 8 - HARDE	2
18	X8881424	CIRCLIP	Seegerring	Circlip	Anello elastico	Anillo elastico	NOT AVAILABLE	1

# Y05185

## Input Shaft

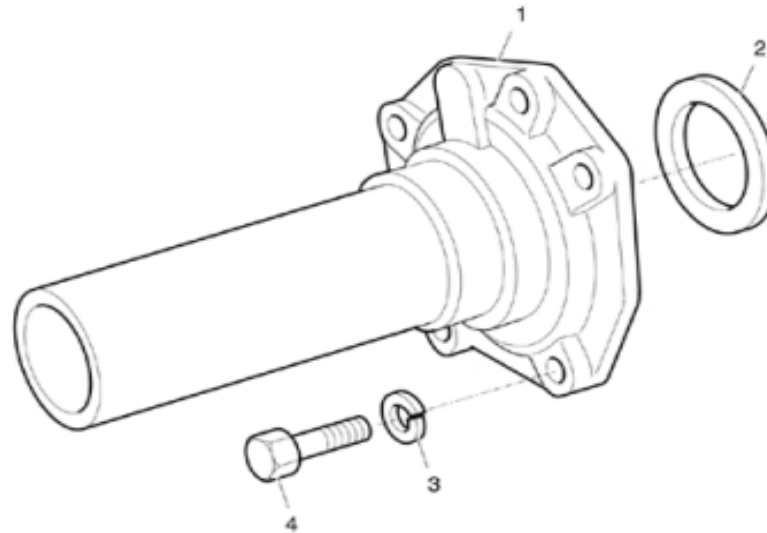


6 SR-03

	Part No:	English:	Deutsch:	Français:	Italiano:	Espanol:	Tech Spec:	QTY:
00	U8880497	INPUT SHAFT ASSY	Antriebswelle	Arbre primaire	Albero entrata	Eje impulsor	NOT AVAILABLE	1
01	8880484	INPUT SHAFT	Antriebswelle	Arbre primaire	Albero entrata	Eje impulsor	STEEL 820H17	1
02	8877318	SYNCHRO FLANGE	SynchronFlansch	Bride de Synchro	Flangia sincronizzatore	Brida de sincronizacion	STEEL SAE 8617 OR DI	1
03	X8872593	BEARING	Lagerbausatz	Roulement	Corredo cuscinetti	Conj. Cojinete	AFB MA TOL CLASS ISO	1
04	8877697	SPACER	Distanzstück	Entretoise	Distanziale	Separador	3.35MM	1
04	U8877691	SPACER ASSY	Distanzstück satz	Entretoise	Distanziale	Separador	CDS 2 (210-255HB)	1
04	8877692	SPACER	Distanzstück	Entretoise	Distanziale	Separador	3.10MM	1
04	8877698	SPACER	Distanzstück	Entretoise	Distanziale	Separador	3.40MM	1
04	8877695	SPACER	Distanzstück	Entretoise	Distanziale	Separador	3.25MM	1
04	8877694	SPACER	Distanzstück	Entretoise	Distanziale	Separador	3.20MM	1
04	8877693	SPACER	Distanzstück	Entretoise	Distanziale	Separador	3.15MM	1
04	8877700	SPACER	Distanzstück	Entretoise	Distanziale	Separador	3.50MM	1
04	8877699	SPACER	Distanzstück	Entretoise	Distanziale	Separador	3.45MM	1
04	8877696	SPACER	Distanzstück	Entretoise	Distanziale	Separador	3.30MM	1
05	X8877706	CIRCLIP	Seegerring	Circlip	Anello elastico	Anillo elastico	1.95 BS 970 PT1 070A78	1

# Y05185

## Frontcover assy

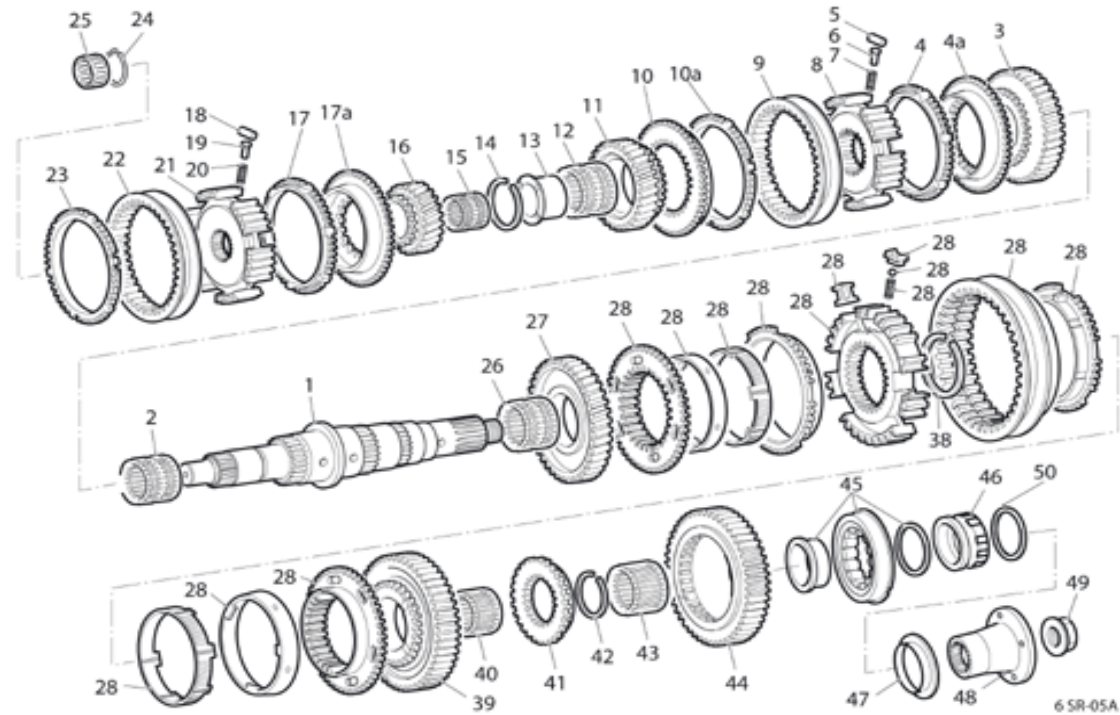


6 SR-04

Part No:	English:	Deutsch:	Français:	Italiano:	Espanol:	Tech Spec:	QTY:	
00	U8875121	FRONT COVER ASSY	Vordergehäuse-Montage	Couvercle AV	Coperchio anteriore	Tapa delantera	NOT AVAILABLE	1
01	8875120	FRONT COVER	Vorderdeckel	Couvercle antérieur	Coperchio anteriore	Tapa delantera	CAST IRON BS 1452 GR	1
02	X8870760	OIL SEAL	Öldichtung	Joint d'huile	Anello tenuta cambio	Reten diferencial	VITON	1
03	DMX-3-1001	SPRING WASHER	Federscheibe	Rondelle grower	Rondella di sicurezza	Arandela elásti	M10 X2.2MM BS 4464 TY	5
04	DMX-8-1002	SCREW	Schraube	Vis	Vite	Tornillo	M10 X 25 BS 3692 GRAD	5

# Y05185

## Mainshaft

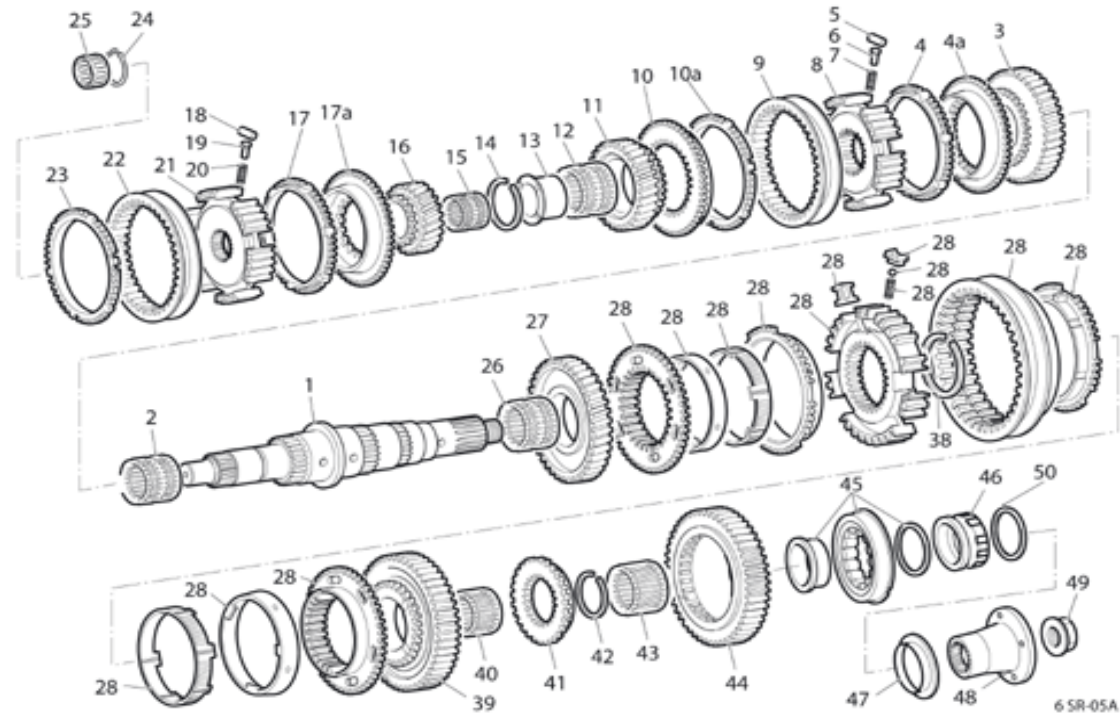


Part No:	English:	Deutsch:	Français:	Italiano:	Espanol:	Tech Spec:	QTY:	
00	U8882210	MAINSHAFT ASSY	Hauptwelle	Arbre principal	Albero princpal assemble	Eje principal	NOT AVAILABLE	1
01	8876898	MAINSHAFT	Hauptwelle	Arbre principal	Arbero principal	Eje principal	STEEL 815H17	1
02	X8872236	NEEDLE ROLLER BRG	Nadelorollenlager	Roulement a aiguilles	Cuscinetto a rullin	Cojinete de ridillos en aguja	NOT AVAILABLE	1
03	8880491	3RD GEAR	Zahnrad 3. Gang	Pigon de 3eme	Ingranaggio albero principale 3	Engranaje 3a	STEEL 820H17	1
04	8877313	SYNCHRO RING	Synchronring	Anneau de synchro	Andello sincronizzatore	Anillo sincro.	DIN V30 910 PT4 GRAD	1
04a	8877316	SYNCHRO FLANGE	SynchronFlansch	Bride de Synchro	Flangia sincronizzatore	Brida de sincronizacion	DIN 17210 16 MnCr5	1
05	X8870356	ROLLER	Verriegelungsrolle	Rouleau	Rulli	Rodillo	STEEL 100 Cr6	3
06	8870352	PLUNGER	Bolzen	Plongeur	Nottlino	Vastago	BS 3111 PT1 TYPE 9	3
07	8870444	SPRING	Feder	Ressort	Molla	Ballesta	BS 2803 685A55 HD2	3
08	8875128	FIXED HUB	Naba, feststehend	Moyeu fixe	Mozzo fisso	Cubo o campana fija	STEEL 16MnCr5	1
09	8875374	SLIDING SLEEVE	Schiebemuffe	Anneau baladeur	Manicotto scorrevole	Casquillo deslizante	STEEL 16MnCr5	1
10	8877313	SYNCHRO RING	Synchronring	Anneau de synchro	Andello sincronizzatore	Anillo sincro.	DIN V30 910 PT4 GRAD	1
10a	8877316	SYNCHRO FLANGE	SynchronFlansch	Bride de Synchro	Flangia sincronizzatore	Brida de sincronizacion	DIN 17210 16 MnCr5	1
11	8880428	4TH GEAR	Zahnrad 4.Gang	Pigon de 4eme	Ingranaggio albero principale 4	Engranaje 4a	STEEL 820H17	1
12	X8872233	NEEDLE ROLLER BRG	Nadelorollenlager	Roulement a aiguilles	Cuscinetto a rullin	Cojinete de ridillos en aguja	NOT AVAILABLE	1
13	8875196	BEARING SLEEVE,	Lagermuffe	Manchon de roulement	Manica cuscinetto	Casquillo cojinetes	SAE 8620H OR SAE 862	1
14	X8870536	CIRCLIP	Seegerring	Circlip	Anello elastico	Anillo elastico	NOT AVAILABLE	1
15	X8870180	NEEDLE ROLLER BRG	Nadelorollenlager	Roulement a aiguilles	Cuscinetto a rullin	Cojinete de ridillos en aguja	NOT AVAILABLE	1



# Y05185

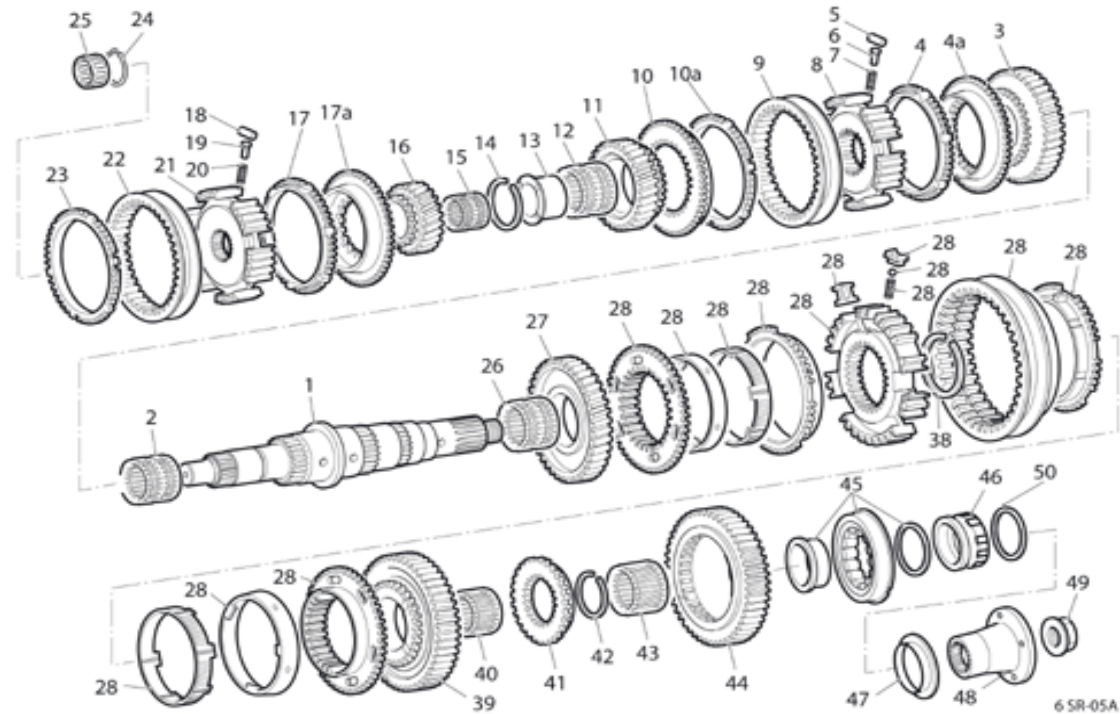
## Mainshaft



Part No:	English:	Deutsch:	Français:	Italiano:	Espanol:	Tech Spec:	QTY:	
16	8876907	5TH GEAR	Zahnrad 5. Gang	Pigon de 5eme	Ingranaggio albero principale 5	Engranaje 5a	STEEL SAE 815H17	1
17	8877314	SYNCHRO RING	Synchronring	Anneau de synchro	Andello sincronizzatore	Anillo sincro.	SINTERED STEEL TO DI	1
17a	8877317	SYNCHRO FLANGE	SynchronFlansch	Bride de Synchro	Flangia sincronizzatore	Brida de sincronizacion	STEEL SAE 8617 OR DI	1
18	X8870356	ROLLER	Verriegelungsrolle	Rouleau	Rulli	Rodillo	STEEL 100 Cr6	3
19	8870352	PLUNGER	Bolzen	Plongeur	Nottlino	Vastago	BS 3111 PT1 TYPE 9	3
20	8870444	SPRING	Feder	Ressort	Molla	Ballesta	BS 2803 685A55 HD2	3
21	8875127	FIXED HUB	Naba, feststehend	Moyeu fixe	Mozzo fisso	Cudo o campana fija	STEEL 16MnCr5	1
22	8875375	SLIDING SLEEVE	Schiebemuffe	Anneau baladeur	Manicotto scorrevole	Casquillo deslizante	STEEL 16MnCr5	1
23	8877314	SYNCHRO RING	Synchronring	Anneau de synchro	Andello sincronizzatore	Anillo sincro.	SINTERED STEEL TO DI	1
24	X8870372	CIRCLIP	Seegerring	Circlip	Anello elastico	Anillo elastico	40 DIA X 2.MM	1
24	X8870371	CIRCLIP	Seegerring	Circlip	Anello elastico	Anillo elastico	40 DIA X 2.07MM	1
24	U8877531	CIRCLIP Kit	Sicherungsringe	Kit circlips	Corredo anelli elastici	Juego de circlips	NOT AVAILABLE	1
24	X8870370	CIRCLIP	Seegerring	Circlip	Anello elastico	Anillo elastico	40 DIA X 2.12MM	1
25	X8870305	NEEDLE ROLLER BRG	Nadelorollenlager	Roulement a aiguilles	Cuscinetto a rullin	Cojinete de ridillos en aguja	NOT AVAILABLE	1
26	X8872236	NEEDLE ROLLER BRG	Nadelorollenlager	Roulement a aiguilles	Cuscinetto a rullin	Cojinete de ridillos en aguja	NOT AVAILABLE	1
27	8881310	2ND GEAR	Zahnrad 2. Gang	Pigon de 2eme	Ingranaggio albero principale 2	Engranaje 2a	STEEL 820H17 PER TES	1
28	U8882160	SYNCHRO KIT	Synchron-satz	Kit synchro	Corredo sincronizzazione	Juego sincro	NOT AVAILABLE	1
38	U8876620	CIRCLIP Kit	Sicherungsringe	Kit circlips	Corredo anelli elastici	Juego de circlips	NOT AVAILABLE	1

# Y05185

## Mainshaft

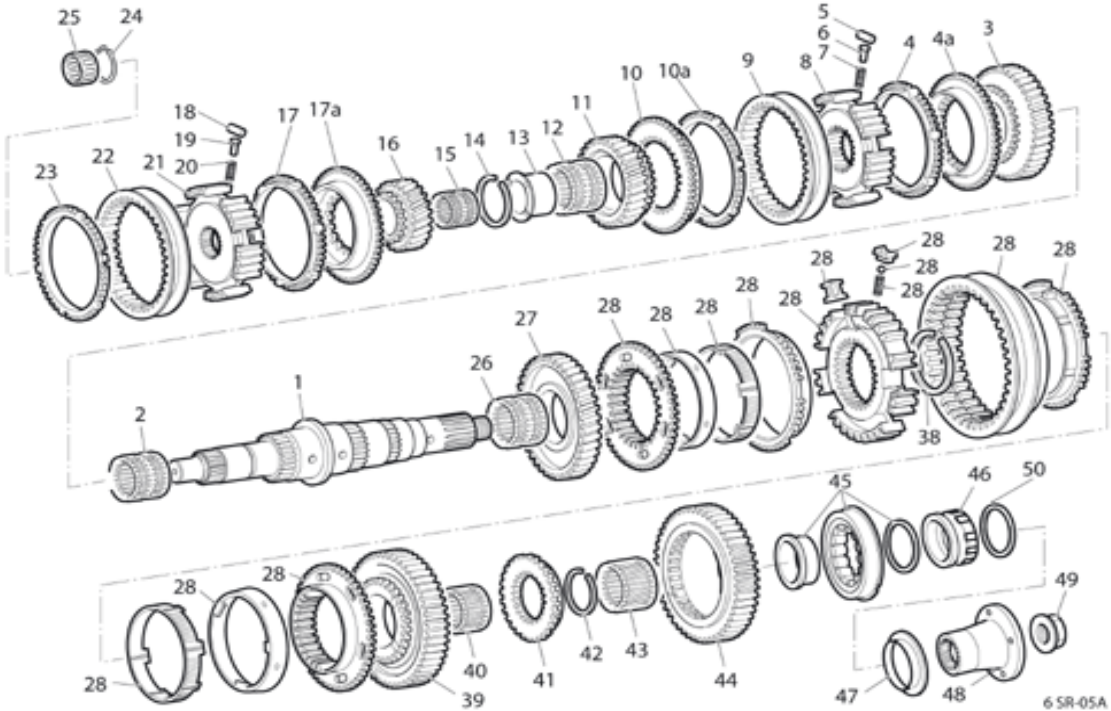


Part No:	English:	Deutsch:	Français:	Italiano:	Espanol:	Tech Spec:	QTY:	
38	X8876601	CIRCLIP	Seegerring	Circlip	Anello elastico	Anillo elastico	65 X 3.95	1
38	X8876600	CIRCLIP	Seegerring	Circlip	Anello elastico	Anillo elastico	65 X 4.00	1
38	X8876597	CIRCLIP	Seegerring	Circlip	Anello elastico	Anillo elastico	65 X 4.15	1
38	X8876598	CIRCLIP	Seegerring	Circlip	Anello elastico	Anillo elastico	65 X 4.10	1
38	X8876599	CIRCLIP	Seegerring	Circlip	Anello elastico	Anillo elastico	65 X 4.05	1
39	8882159	1ST GEAR	Zahnrad 1. Gang	Pigon de 1eme	Ingranaggio albero principale 1	Engranaje 1a	STEEL SAE 8620RH	1
40	X8870177	NEEDLE ROLLER BRG	Nadelorollenlager	Roulement a aiguilles	Cuscinetto a rullin	Cojinete de ridillos en aguja	NOT AVAILABLE	1
41	8876602	FIXED HUB	Naba, feststehend	Moyeu fixe	Mozzo fisso	Cubo o campana fija	STEEL 16MnCr5	1
42	X8870378	CIRCLIP	Seegerring	Circlip	Anello elastico	Anillo elastico	60 DIA X 2.10MM	1
42	X8870379	CIRCLIP	Seegerring	Circlip	Anello elastico	Anillo elastico	60 DIA X 2.05MM	1
42	X8870380	CIRCLIP	Seegerring	Circlip	Anello elastico	Anillo elastico	60 DIA X 2.00MM	1
42	U8882193	CIRCLIP Kit	Sicherungsringe	Kit circlips	Corredo anelli elastici	Juego de circlips	NOT AVAILABLE	1
43	X8870178	NEEDLE ROLLER BRG	Nadelorollenlager	Roulement a aiguilles	Cuscinetto a rullin	Cojinete de ridillos en aguja	NOT AVAILABLE	1
44	8880487	REVERSE GEAR	Zahnrad Rückwärtsgang	Pignon m.arrièr	Ingranaggio RM	Engranaje de ma	STEEL 820H17	1
45	X8877197	BEARING	Nadelorollenlager	Roulement	Cuscinetto a rullin	Cojinete	NOT AVAILABLE	1
46	8876501	TACHOGRAPH ROTOR	Tachorotor	Tachyrotor	Tachirotores	Velocidad rotor	STEEL SAE 8620RH	1
47	8876869	DIRT SHIELD	Schutzing	Cache-poussiere	Schermo antipolvere	Proteccion suciedad	STEEL BS1449 GRADE	1
48	D8877443	COUPLING FLANGE	Anschlußflansch	Bride de raccordement	Flangia di accoppiamento	Brida de acoplamiento	STEEL BS 970 Pt1 080A	1



# Y05185

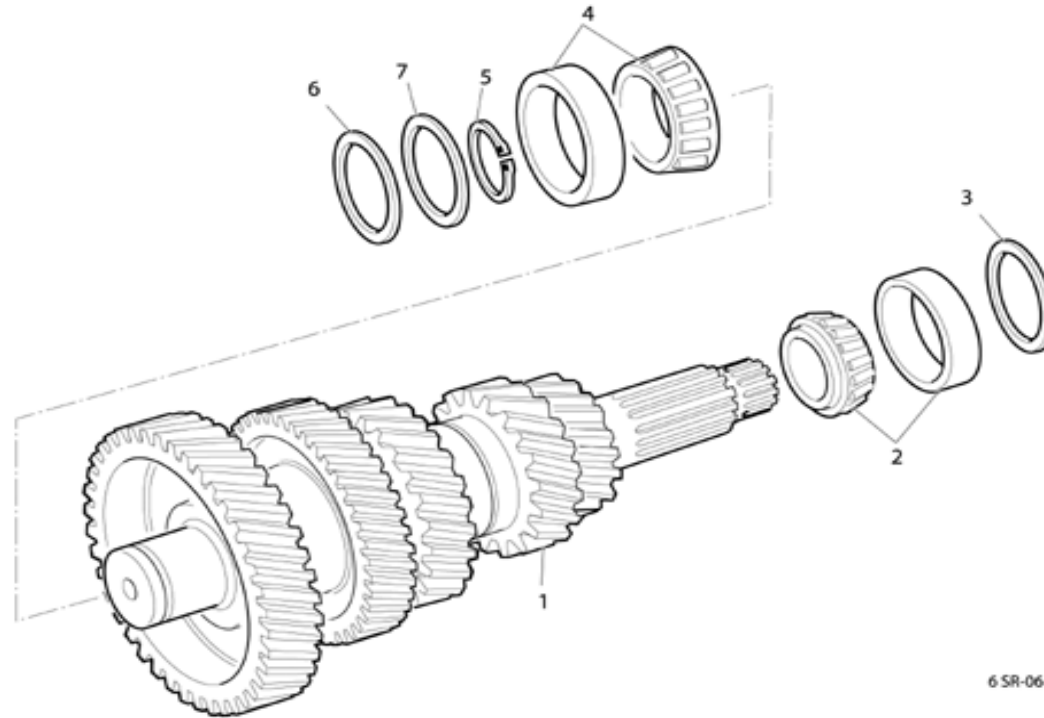
## Mainshaft



Part No:	English:	Deutsch:	Français:	Italiano:	Espanol:	Tech Spec:	QTY:
49 X8870564	NUT	Mutter	Ecrou	Dado	Tuerca	STEEL BS 970 606M36	1

Y05185

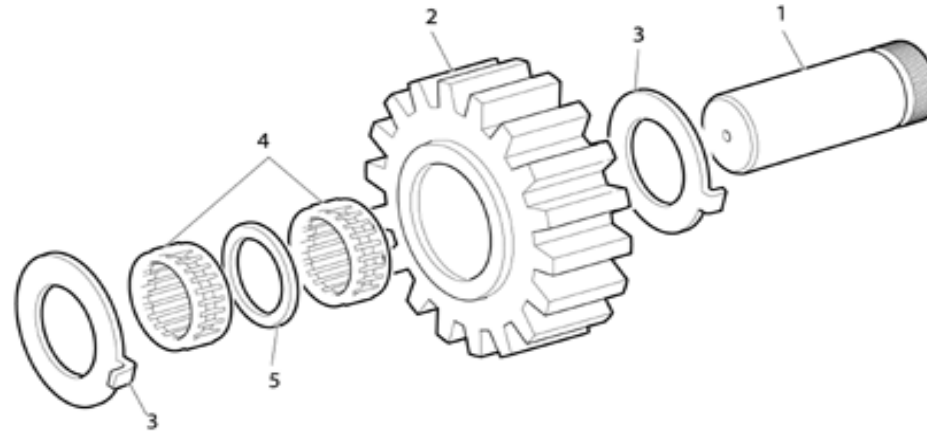
Countershaft



Part No:	English:	Deutsch:	Français:	Italiano:	Espanol:	Tech Spec:	QTY:	
01	U8880493	LAYSHAFT ASSY	Vogelegewelle	Arbre Intermediaire	Complessivo Contralbero	Conjunto Eje Secundario	NOT AVAILABLE	1
02	X8875587	BEARING ASSY	Lagerbausatz	Roulement a aiguilles	Corredo cuscinetti	Conj. Cojinete	AFBMA	1
03	8872210	DISTANCE PIECE	Abstandsstück	Entretoise	Distanziale	Separador	STEEL BS970 CDS 2	1
04	X8875587	BEARING ASSY	Lagerbausatz	Roulement a aiguilles	Corredo cuscinetti	Conj. Cojinete	AFBMA	1
05	X8871540	CIRCLIP	Seegerring	Circlip	Anello elastico	Anillo elastico	40 DI X 1.77MM	1
05	X8871539	CIRCLIP	Seegerring	Circlip	Anello elastico	Anillo elastico	40 DI X 1.82MM	1
05	X8870372	CIRCLIP	Seegerring	Circlip	Anello elastico	Anillo elastico	40 DI X 2.02MM	1
05	X8871537	CIRCLIP	Seegerring	Circlip	Anello elastico	Anillo elastico	40 DI X 1.92MM	1
05	U8877534	CIRCLIP Kit	Sicherungsringe	Kit circlips	Corredo anelli elastici	Juego de circlips	NOT AVAILABLE	1
05	X8871536	CIRCLIP	Seegerring	Circlip	Anello elastico	Anillo elastico	40 DI X 1.97MM	1
05	X8870370	CIRCLIP	Seegerring	Circlip	Anello elastico	Anillo elastico	40 DI X 2.12MM	1
05	X8870371	CIRCLIP	Seegerring	Circlip	Anello elastico	Anillo elastico	40 DI X 2.07MM	1
05	X8871538	CIRCLIP	Seegerring	Circlip	Anello elastico	Anillo elastico	40 DI X 1.87MM	1
06	U8877535	SHIM KIT	Ausgl.schei.kit	Kit cale	Distanziale	Kit de relleno	NOT AVAILABLE	1
07	8875879	SPACER	Distanzstück	Entretoise	Distanziale	Separador	2MM C34 (160-195HB)	1

# Y05185

## Reverse Idler

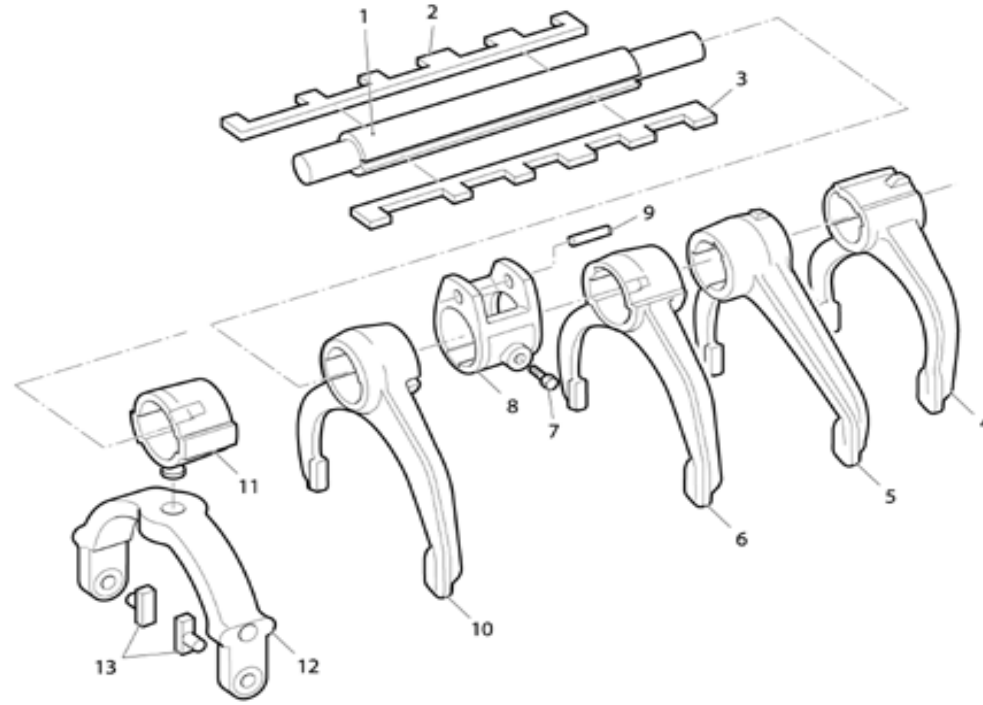


6 SR-07

Part No:	English:	Deutsch:	Français:	Italiano:	Espanol:	Tech Spec:	QTY:
01 8880069	REVERSE IDLER SHAFT	Rückwärts Welle	Axe de pignon de renvoi de m	Albero, Ingranaggio rinvio RM	Eje intermedio de MA	BS 970 PT1 070M55	1
02 8880489	REVERSE IDLER GEAR	Rückwärtsgang-Umkehrad	Pignon de Renvoi de Marche	Complessivo Ingranaggio Rinv	Engranaje Inversor MA	STEEL 820H17	1
03 8870343	THRUST WASHER	Druckscheibe	Rondella de pousse	Rondella di sprinta	Arandela de empuje	STEEL BS 1449 CS12	2
04 X8872478	NEEDLE ROLLER BRG	Nadelorollenlager	Roulement a aiguilles	Cuscinetto a rullin	Cojinete de ridillos en aguja	NOT AVAILABLE	2
05 8872479	SPACER	Distanzstück	Entretoise	Distanziale	Separador	4MM CAST IRON BS 534	1

# Y05185

## Selector Assy

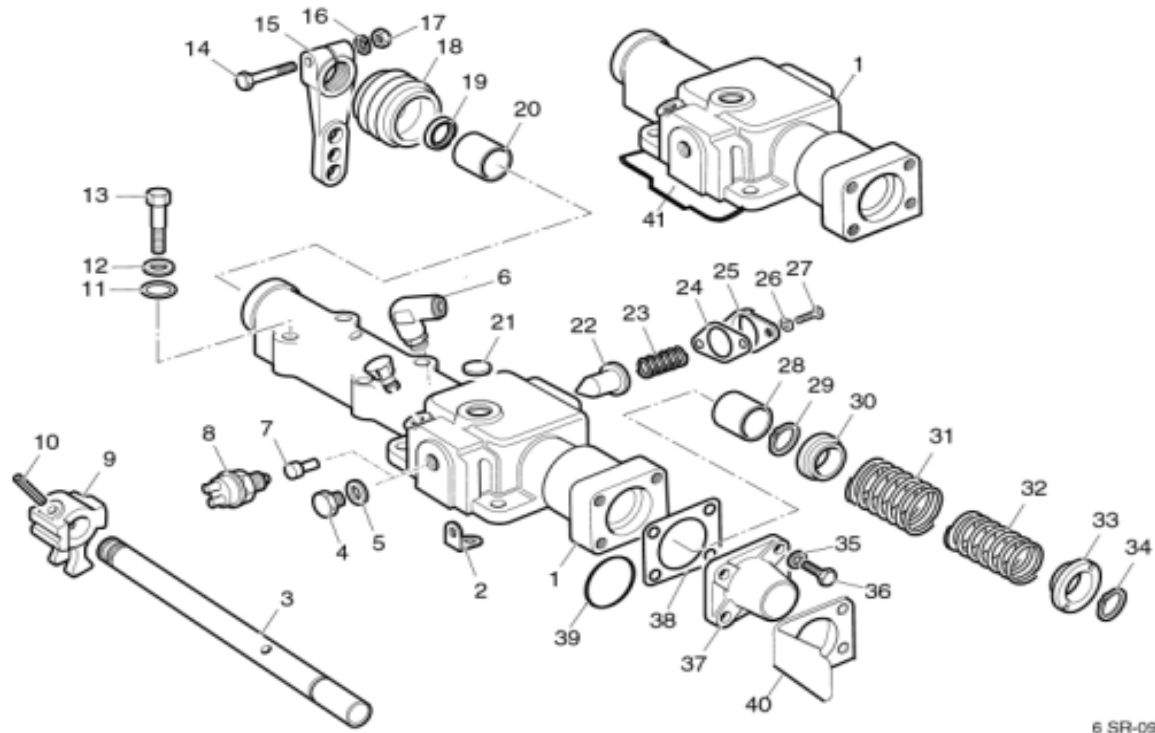


6 SR-08

Part No:	English:	Deutsch:	Français:	Italiano:	Espanol:	Tech Spec:	QTY:	
00	U8875904	SELECTOR ASSY	Wählhebel	Sélecteur assemblé	selettore completo	Conjunto selector	NOT AVAILABLE	1
01	8874835	SELECTOR SHAFT	Schaltstiene	Axe du sélecteur	Chiavetta selettore	Llave selectore	STEEL BS 970 080M50	1
02	8876394	SELECTOR KEY	Schalklinke	Reglette de selection	Chiavetta selettore	Llava selectora	BS 980 Pt1 527M17 OR	1
03	8876395	INTERLOCK KEY	Verriegelungsklinke	Reglette de verrouillage	Chiavetta bloccaggio	Llave interenclavamiento	STEEL BS 980 Pt1 527M	1
04	8875503	SHIFT FORK	Gangschaltgabel	Fourchette commande de vit.	Forca	Horquilla	BS 970 Pt1 080A42 NOR	1
05	8880805	SHIFT FORK	Gangschaltgabel	Fourchette commande de vit.	Forca	Horquilla	BS 970 Pt3 080M40 CON	1
06	8875501	SHIFT FORK	Gangschaltgabel	Fourchette commande de vit.	Forca	Horquilla	BS 970 Pt1 080A42 NOR	1
07	8873691	LOCATION SCREW SEL. B	Schraube	Vis	Vite	Tornillo	M10 X 23 HEX HD GRAD	1
08	8874754	SELECTOR BLOCK	Schaltblock	Bloc de sélecteur	Blocco selezione	Bloque selector	STEEL SAE 8620H	1
09	X8870277	DOWEL	Dübel, stift	Goujon	Spina	Cabilla	DIA 10.0 X 34.6 STEEL B	1
10	8875500	SHIFT FORK	Gangschaltgabel	Fourchette commande de vit.	Forca	Horquilla	BS 970 Pt1 080A42 NOR	1

Y05185

LRC

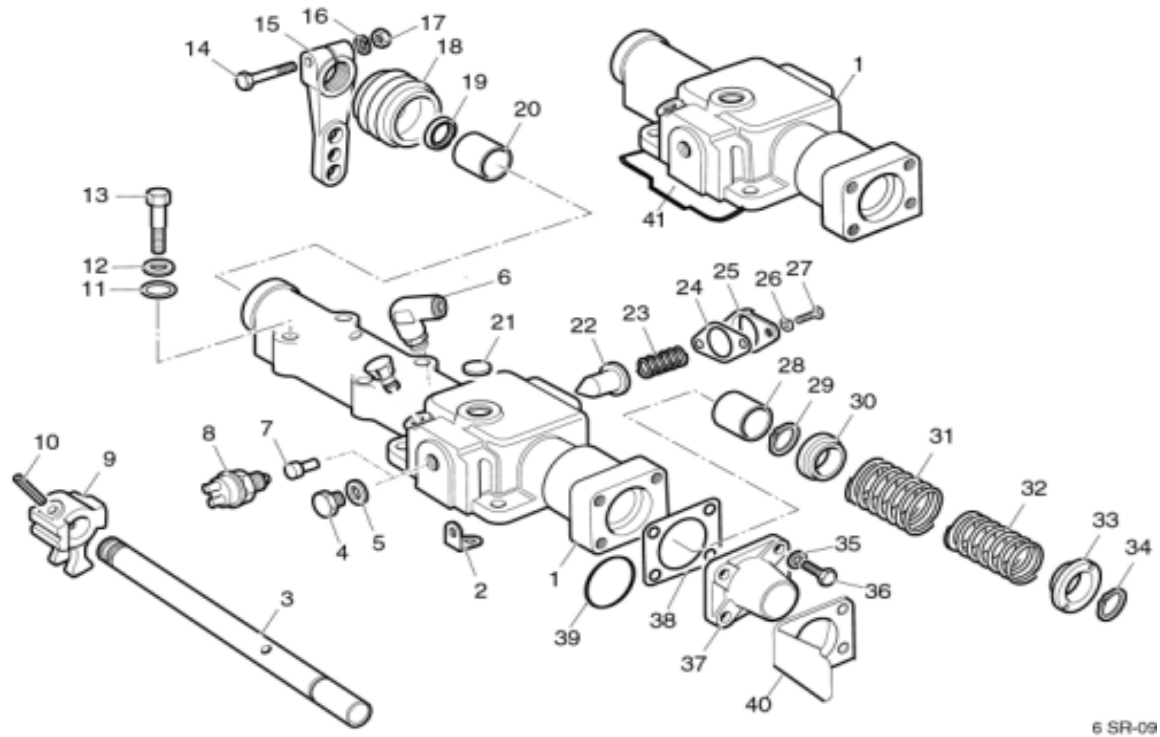


6 SR-09

Part No:	English:	Deutsch:	Français:	Italiano:	Espanol:	Tech Spec:	QTY:	
00	U8880698	LRC ASSY	Fernschaltung	Commane à Distance	Compressivo Comando a Dista	Conjunto Control Remoto	RH H VERTICAL	1
01	8880690	HOUSING	Gehäuse	Corps	Scatola	Envuelta	ALUMINIUM BS 1490 LM	1
03	8874760	SHIFT ROD	Schaltung	Levier rapport	Tirante regola	Varilla regulad.	STEEL BS 970 PT1 080A	1
04	DX8871502	PLUG	Stopfen	Bouchon	Tappo	Tapón	M16 X 1.5 BS 970 212M3	1
05	X8880470	WASHER	Scheibe	Rondelle	Rondella	Arrandela	M16 DOWTY SEAL	1
06	U8880848	ELBOW ASSY	Winkel	Coude	Gomito	Codo	NOT AVAILABLE	1
09	8877658	LEVER	Hebel	Levier	Leva	Palanca	ASTM A732 I3Q	1
10	X8871378	DOWEL	Dübel, stift	Goujon	Spina	Cabilla	MILD STEEL 47-63 Kgf/m	1
14	DMX-8-1007	BOLT	Schraubbolzen	Boulon	Vite	Perno	M10 X 50 FLG HD BS 36	1
15	D8876053	LEVER	Hebel	Levier	Leva	Palanca	BS 970 080M40 FORGIN	1
17	MX-9-1005	NUT	Mutter	Ecrou	Dado	Tuerca	M10 - ISO 4161 GRADE	1
18	X8875259	BOOT ACCORDION	Faltenbalg	Manchon protectour	Manicotto de gomma	Manillar de caucho	NEOPRENE ASTM 2000	1
19	X8871394	OIL SEAL	Öldichtung	Joint d'étanchéité d'huile	Tenuta	Retén de aceite	NOT AVAILABLE	1
20	X8880299	BUSH	Buchse	Bague	Boccola	Casquillo	NOT AVAILABLE	1
21	DX8871486	PLUG	Stopfen	Bouchon	Tappo	Tapón	STEEL BS 1449 GRADE	1
22	8875415	PLUNGER	Bolzen	Plongeur	Nottlino	Vastago	NOT AVAILABLE	1
23	8870587	SPRING	Feder	Ressort	Molla	Ballesta	SiCr BS 2803 685A55 N.	1
24	8870590	GASKET	Dichtung	Joint	Guarnizione	Junta	CORK ASTM F104 F22 9	1

Y05185

LRC

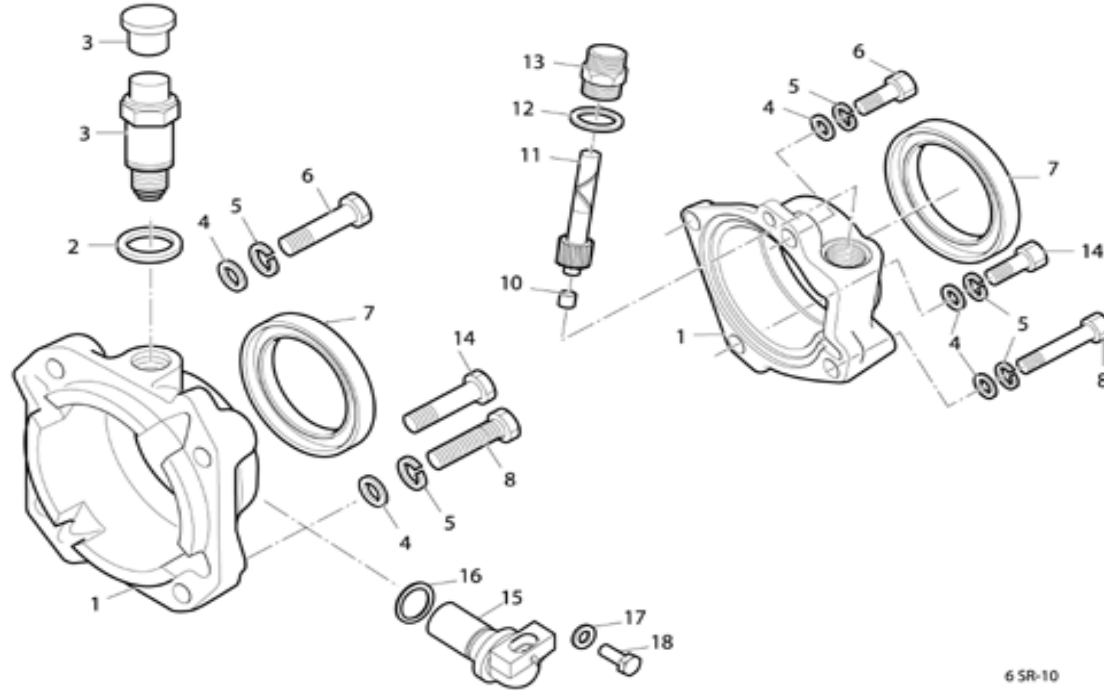


Part No:	English:	Deutsch:	Français:	Italiano:	Espanol:	Tech Spec:	QTY:	
25	D8870259	COVER-DETENT	Deckel	Couvercle de verrouillage	Coperchio fermo	Tapa reten	BS 1449 PT1 GRADE 4	1
27	MX-8-0848	SCREW	Schraube	Vis	Vite	Tornillo	STEEL GRADE 8.8	2
28	X8880299	BUSH	Buchse	Bague	Boccola	Casquillo	NOT AVAILABLE	1
29	X8874450	CIRCLIP	Seegerring	Circlip	Anello elastico	Anillo elastico	25 Dia BS1449 CS80 or S	1
30	8876566	SPRING RETAINER	Federfuehring	Retenue de Ressort	Retenzione di molla	Retencion con resorte	STEEL BS970 220M07/2	1
31	8873735	SPRING	Feder	Ressort	Molla	Ballesta	SiCr BS 2803 685A55 N.	1
32	8876345	BOOSTER SPRING	Feder	Ressort	Molla	Ballesta	SiCr BS 2803 685A55 N.	1
33	8876567	SPRING RETAINER BOOST	Federfuehring	Retenue de Ressort	Retenzione di molla	Retencion con resorte	STEEL BS970 220M07/2	1
34	X8874450	CIRCLIP	Seegerring	Circlip	Anello elastico	Anillo elastico	25 Dia BS1449 CS80 or S	1
35	DMX-3-0801	SPRING WASHER	Federscheibe	Rondelle grower	Rondella di sicurezza	Arandela elásti	M8 BS 4464 TYPE B	4
36	DMX-8-0847	SCREW	Schraube	Vis	Vite	Tornillo	M8 x 25 STEEL GRADE	4
37	8876041	END COVER	Enddeckel	Couvercle d'extrémité	coperchio finale	Tapa final	ALUMINIUM LM27M	1
39	X8880639	O RING	Ring -O	Joint torique	Guarnizione toroidale	Tuberías nylon	ASTM 2000 2HK A1-10 B	1
40	8880955	BRACKET	Konsolen	Support	staffa	Soportes/Abrazaderas	MILD STEEL EN10025 S	1
41	8880638	SEALING RING	Dichtungsring	Anneau d'étanchéité	anello di tenuta	Arandela obturadora	HNBR RUBBER 2843	1



**Y05185**

**Speedo Housing Assy**



65R-10

Part No:	English:	Deutsch:	Français:	Italiano:	Espanol:	Tech Spec:	QTY:	
00	U8874938	SPEEDO HOUSING ASSY	Tachometergehäuse	Boitier de Tachymetre	Scatola Indicatore Velocita	Envuelta del Velocimetro	NOT AVAILABLE	1
01	8877755	SPEEDO HOUSING	Tachometergehäuse	Boitier de tachymetre	Scatola indicatore velocita	Envuelta del velocimetro	ALUMINIUM BS1490 LM2	1
04	X11245	WASHER	Scheibe	Rondelle	Rondella	Arrandela	M10 X 2MM-CS4	4
05	MX-3-1001	SPRING WASHER	Federscheibe	Rondelle grower	Rondella di sicurezza	Arandela elásti	M10 X2.2MM BS 4464 TY	4
06	DMX-8-1003	SCREW	Schraube	Vis	Vite	Tornillo	M10 X 35 HEX HD BS 36	2
07	X13711	OIL SEAL	Öldichtung	Joint d'étanchéité d'huile	Tenuta	Retén de aceite	NOT AVAILABLE	1
08	DMX-8-1007	BOLT	Schraubbolzen	Boulon	Vite	Perno	M10 X 50 FLG HD BS 36	1
14	DMX-8-1020	SCREW	Schraube	Vis	Vite	Tornillo	M10 x 35 STEEL GRADE	1